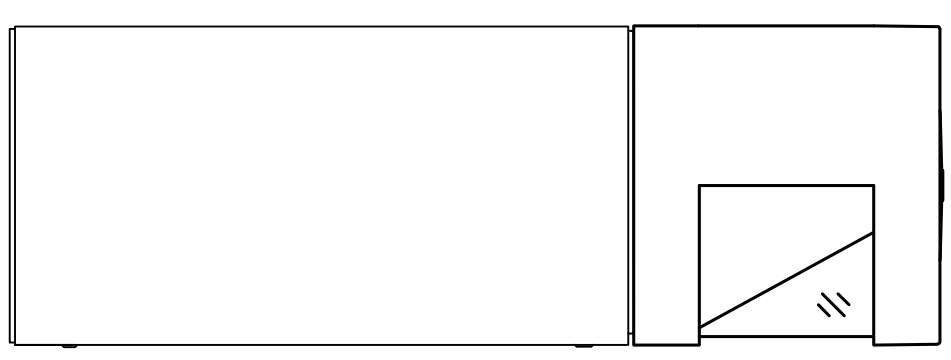
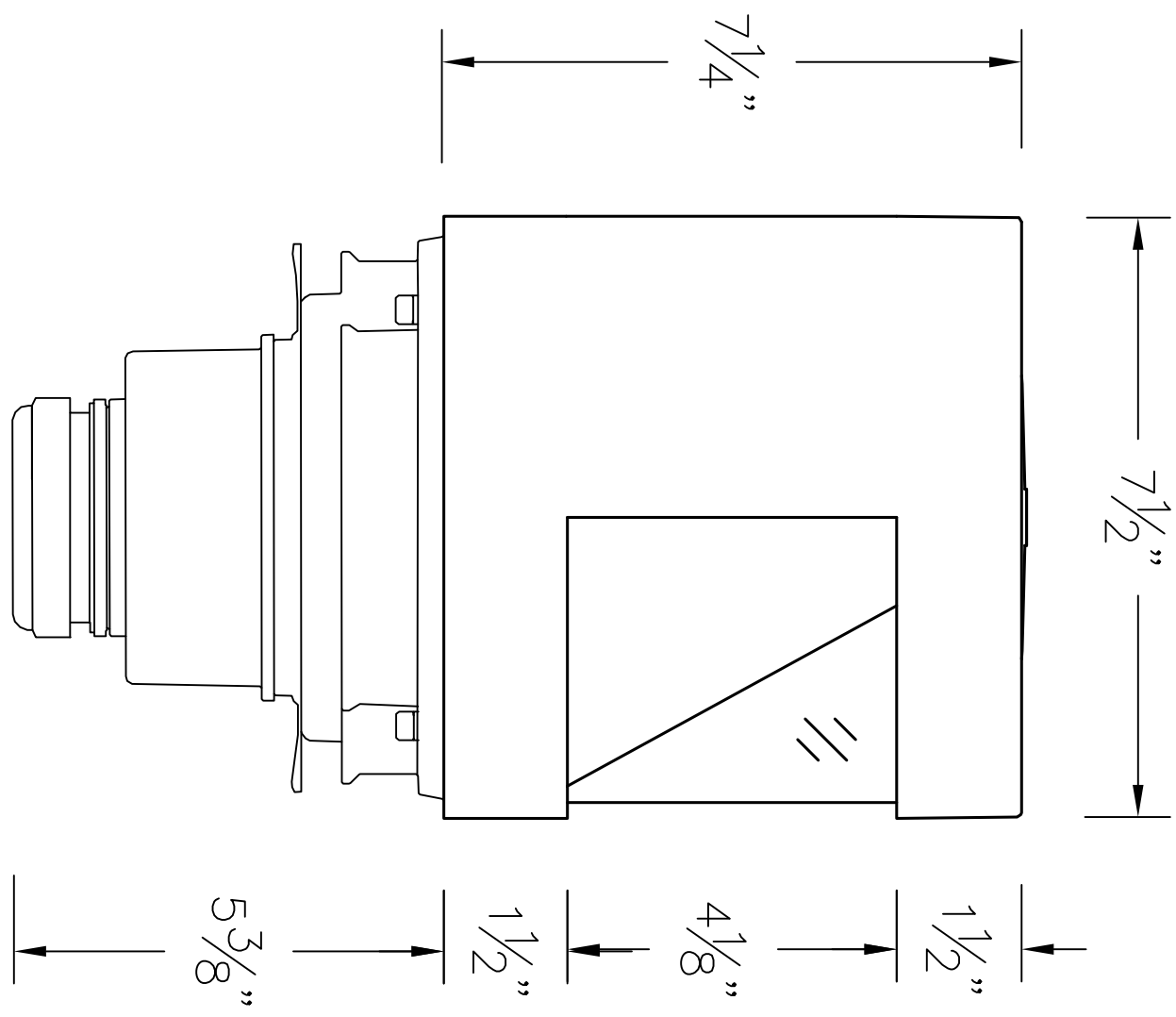


NOTES: SYSTEM BOLLARD HEAD # 99 857 - SEE SPECIFICATIONS



99 857 Shown on
Bollard Tube 99 615

(SCALE 1:2)

TYPE: _____

SUBMITTAL APPROVAL			CAT NO.: 99 857		BEGA
			PROJECT: -		
APPROVED BY: _____	DATE: _____		LOCATION: -		
REV.	DATE	DESCRIPTION	DRAWN: RA DATE: 8/26/2016 File Name: 99857.DXF		

1000 Bega Way
Carpinteria, Ca. 93013
(805) 684-0533

This print contains confidential information which is the property of BEGA U.S. By acceptance this information, the borrower agrees that it will not be used for any other purpose other than that which is was loaned.