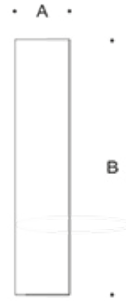


Tools Required:

- 5mm hex key
- Drill
- Special tool (provided)

Protection Class: IP 65

Weight: 18.7 lbs



Dimensions

- A:** 7-1/2"
- B:** 32"



Notice to Installer for 99 658:

1. See page 3 for specific product safety warnings.
2. Fixture may be damaged if connected to conduit systems that contain water
 - Article 300-5G of the National Electric Code requires that "Conduits or raceway through which moisture may contact energized live parts shall be sealed or plugged at either or both ends."
3. For proper installation, an accompanying bollard head must be selected with the bollard tube.
4. 79 818 anchorage kit (included) must be installed in concrete pad/foundation.
5. It is recommended that when installing in planting areas the bollard base be slightly elevated to avoid prolonged submerging during heavy rains.
6. Wet location listing does not imply suitability for exposure to standing water for long periods of time.
7. LEDs are high-quality electronic components! Please avoid touching the light output opening of the LED directly during installation.
8. Leave 5-pin connectore cap engaged if pairing BEGA System Bollard tube with non-illuminated System Bollard head or if energizing System Bollard tube without head attached.

79 818 anchorage installation:

1. Provide means to bring supply wiring to the bollard in accordance with local code. The template has a 3" conduit hole for conduit entry.
2. Assemble anchorage kit. Unscrew the (3) hex bolts from the female couplers. Remove each hex bolt and washer. Align each anchor bolt with the hole in the template. Attach each anchor bolt to the template by replacing the washer and hex bolt and tightening.
3. Determine the finished grade for the application. Use leveling hardware to adjust template to desired finished height after pouring.
4. Install anchorage kit using either method:
 - A. Attach template to forming or cross bracing using the (2) nail holes provided in the template. Level template properly. Pour concrete.
 - B. Insert anchorage assembly into poured concrete. Concrete must be vibrated to ensure proper anchorage setting. Level template properly.

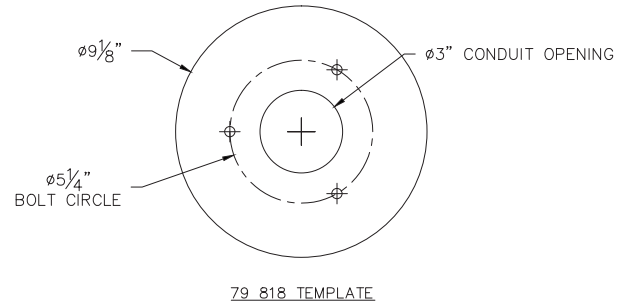


Figure 1: Anchorage Template

Relamping/Maintenance

No relamping required.

Accessories

Please refer to the appropriate accessory installation sheet for further instruction when applicable.

Replacement Parts

Description

Part No

Consult Factory

Anchorage 79 818

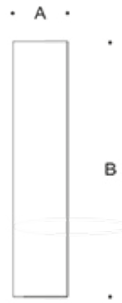
In the interest of product improvement, BEGA reserves the right to make technical changes without notice.

Tools Required:

- 5mm hex key
- Drill
- Special tool (provided)

Protection Class: IP 65

Weight: 18.7 lbs



Dimensions

- A:** 7-1/2"
- B:** 32"

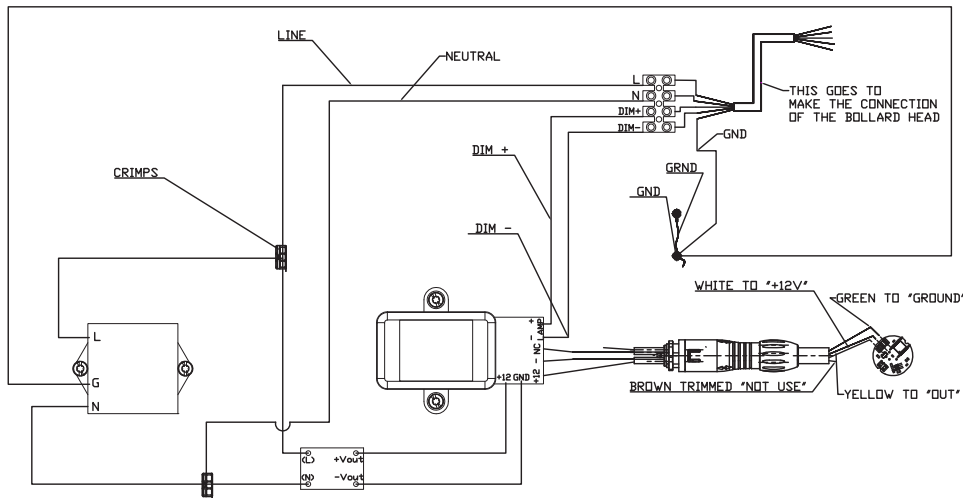


99 658 Wiring Instructions:

1. Make supply wiring connections in internal wiring box (provided) to wire leads from driver.
 - MAIN VOLTAGE SUPPLY WIRE TO BLACK DRIVER WIRE;
 - NEUTRAL (COMMON) SUPPLY WIRE TO WHITE DRIVER WIRE;
 - GREEN GROUND WIRE TO GREEN DRIVER WIRE.
- Dimming (if applicable):
 - DIMMING CONTROL WIRE (+) TO POSITIVE DRIVER DIM CONTROL WIRE
 - DIMMING CONTROL WIRE (-) TO NEGATIVE DRIVER DIM CONTROL WIRE

99 658 installation:

1. Remove (3) hex bolts and washers, once anchorage is set.
2. Leave template in place to provide a smooth, flat surface to mount the base.
3. Turn the base plate and remove from bollard, after loosening the 5mm set screw.
4. Align base plate holes with anchorage holes.
5. Bolt the base plate to the anchorage kit using the (3) hex bolts and washers.
6. Place the bollard over the base plate so that the (3) notches in the base plate align with the top.
7. Secure the bollard by tightening the 5mm set screw at the base.
8. Install bollard head per bollard head installation instructions.



Relamping/Maintenance
No relamping required.

Accessories
Please refer to the appropriate accessory installation sheet for further instruction when applicable.

Replacement Parts
Description
Consult Factory

Part No

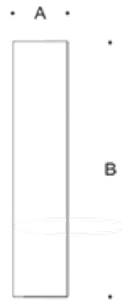
Anchorage 79 818

Tools Required:

- 5mm hex key
- Drill
- Special tool (provided)

Protection Class: IP 65

Weight: 18.7 lbs



Dimensions

- A:** 7-1/2"
- B:** 32"



99 658 Function of the motion sensor:

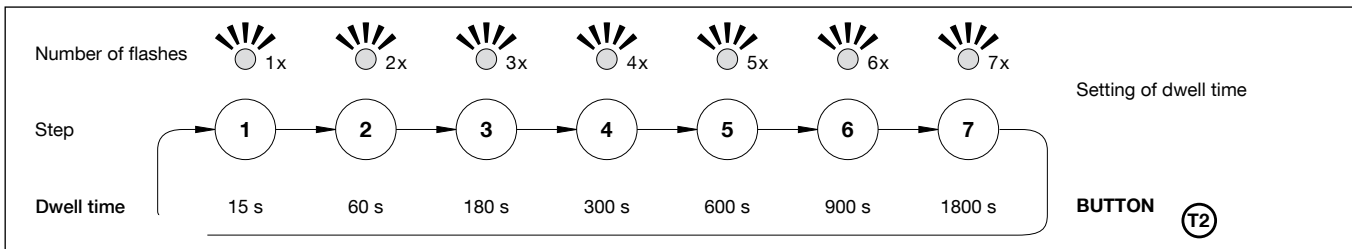
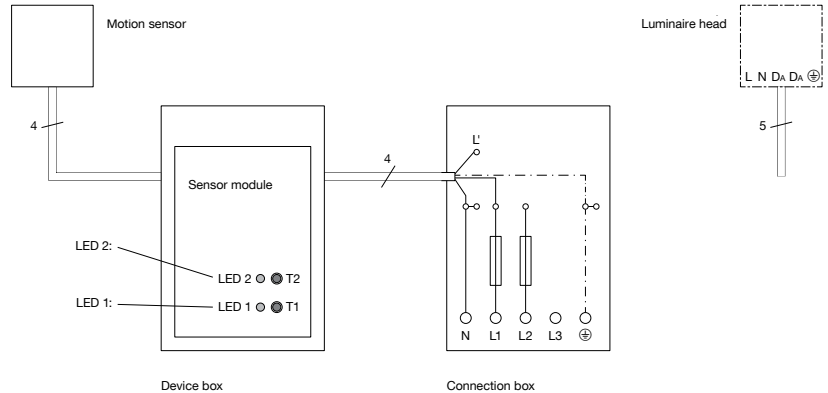
Note: The plug part of the motion and light sensor must be plugged into the plug-in device at the control gear box as far as it will go before you switch on the power supply.

1. The sensor module is in the device box on the mounting bracket.
2. Open the device box.
3. When main voltage is turned on, the green LED will light up. The red LED will be OFF in this case.
4. If the motion sensor is not connected correctly, the red LED will blink.

99 658 Time setting:

Note: DIP switch 1 is "OFF"

1. "T2" button can be used to set the holding time of the motion sensor. Factory setting is 600 s.
2. See diagram below:



Relamping/Maintenance
No relamping required.

Accessories
Please refer to the appropriate accessory installation sheet for further instruction when applicable.

Replacement Parts

Description

Part No

Consult Factory

Anchorage 79 818

In the interest of product improvement, BEGA reserves the right to make technical changes without notice.

Product Safety Warnings:

THIS PRODUCT MUST BE INSTALLED IN ACCORDANCE WITH THE APPLICABLE INSTALLATION CODE BY A PERSON FAMILIAR WITH THE CONSTRUCTION AND OPERATION OF THE PRODUCT AND THE HAZARDS INVOLVED. SUITABLE FOR WET LOCATIONS.

MIN 90°C SUPPLY CONDUCTORS.

CE PRODUIT DOIT ÊTRE INSTALLÉ SELON LE CODE D'INSTALLATION PERTINENT, PAR UNE PERSONNE QUI CONNAÎT BIEN LE PRODUIT ET SON FONCTIONNEMENT AINSI QUE LES RISQUES INHÉRENTS. CONVIENT AUX EMPLACEMENTS MOUILLÉS.

LES FILS D'ALIMENTATION 90°C MIN.
