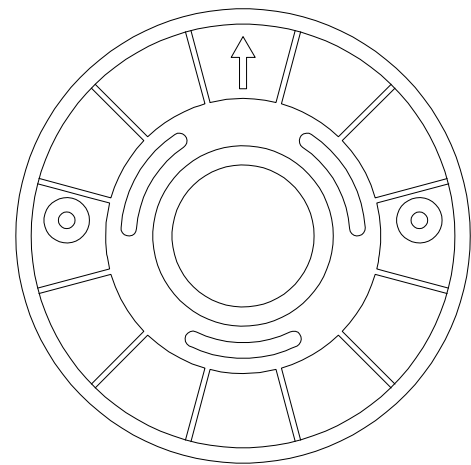
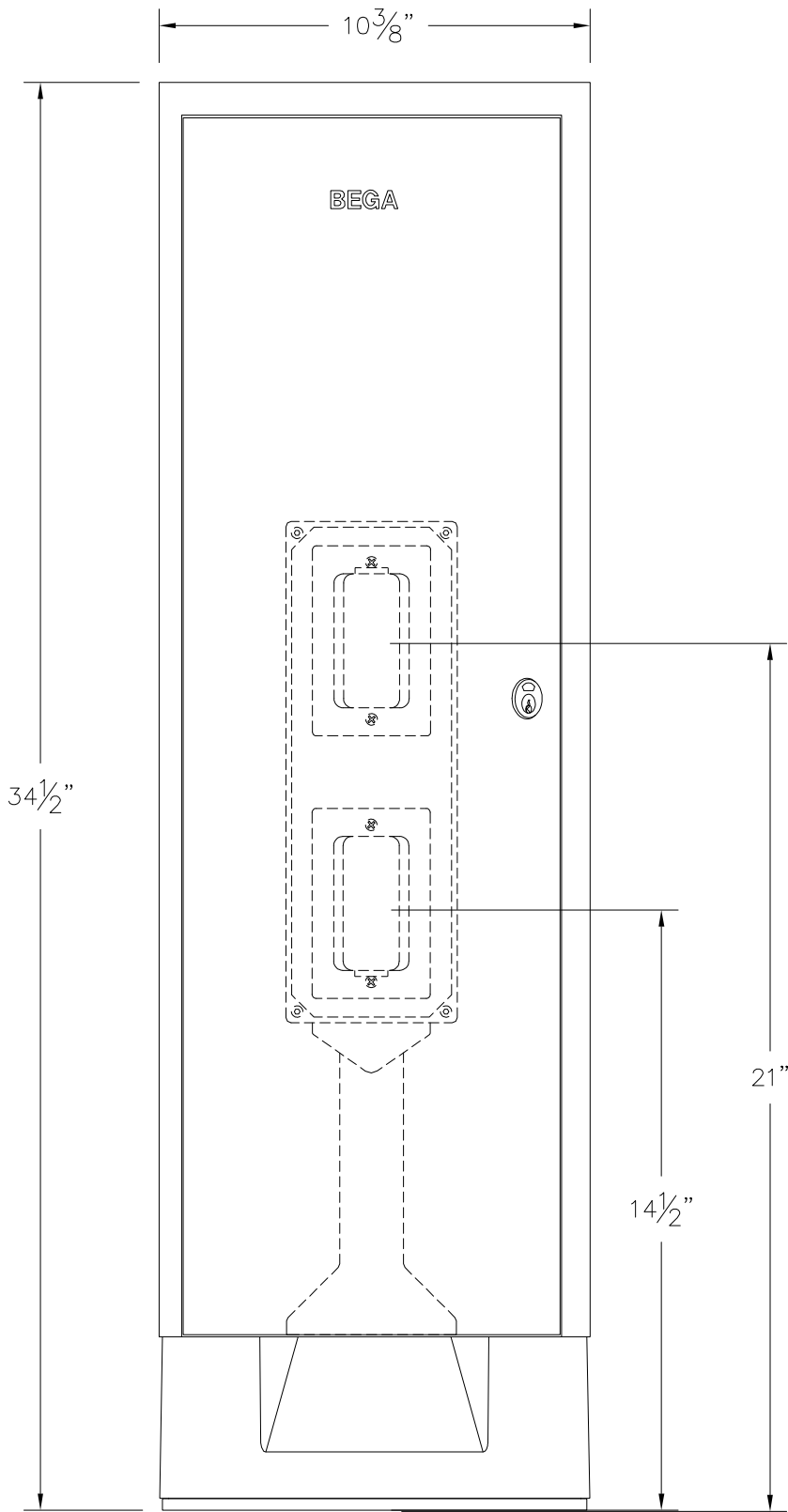
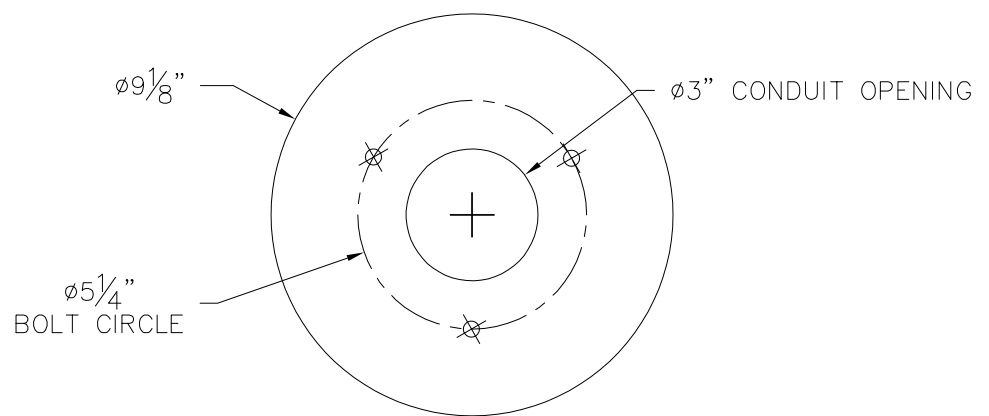


NOTES:

1. SYSTEM BOLLARD TUBE # 99 627 – SEE SPECIFICATIONS
2. IMPORTANT: BOLLARD BASE ARROW INDICATES DOOR SIDE – INSTALL ANCHOR BOLTS PER DESIRED DOOR ORIENTATION



79 818 BOLLARD BASE



79 818 ANCHOR TEMPLATE

**TYPE:** \_\_\_\_\_

**SUBMITTAL APPROVAL**

APPROVED BY: \_\_\_\_\_

SIGNED: \_\_\_\_\_ DATE: \_\_\_\_\_

CAT NO.: 99 627

PROJECT: -

LOCATION: -

DRAWN: SB DATE: 10/25/2018 File Name: 99627.DXF

**BEGA**

1000 Bega Way  
Carpinteria, Ca. 93013  
(805) 684-0533

REV.	DATE	DESCRIPTION