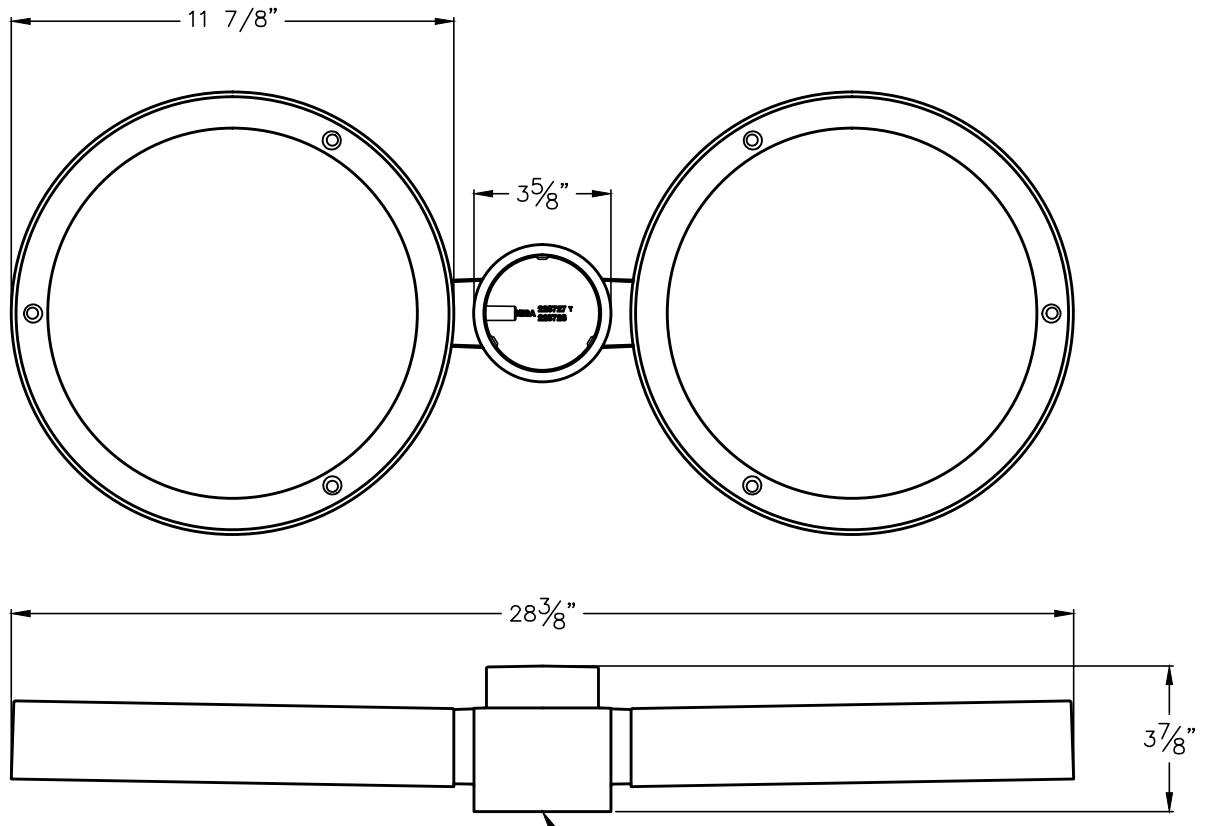


3" TO 5" OD  
TAPERED ALUM.  
POLE W/HINGED  
BASE, BY BEGA

**SHOWN ON 1508HR**

NOTES:  
1. LUMINAIRE # 99462 - SEE SPECIFICATIONS



MADE FOR 3" POLE OR  
SLIP FITS 3" O.D. POLE TOP  
(REQUIRES A MINIMUM 2.5" LENGTH  
OF STRAIGHT DIA. POLE)

**TYPE:** \_\_\_\_\_

**SUBMITTAL APPROVAL**

APPROVED BY: \_\_\_\_\_ DATE: \_\_\_\_\_  
SIGNED: \_\_\_\_\_

REV.	DATE	DESCRIPTION

CAT NO.: 99462

PROJECT: -

LOCATION: -

DRAWN: AV DATE: 8/4/15 File Name: 99462.DXF

**BEGA**

1000 Bega Way  
Carpinteria, Ca. 93013  
(805) 684-0533

This print contains confidential information which is the property of BEGA U.S. By acceptance this information, the borrower agrees that it will not be used for any other purpose other than that which is was loaned.