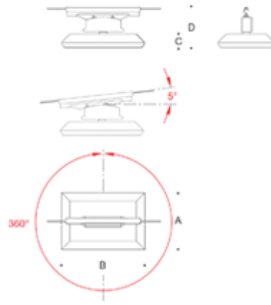


**Tools Required:**

- 5mm hex key
- 6mm hex key
- Flat head screw driver medium
- Phillips head screw driver medium



**Dimensions**

- A:** 12-1/4 "
- B:** 18-1/8 "
- C:** 3 "
- D:** 9 "



**Protection Class:** IP66

**Weight:** 18.5 lbs

**Notice to Installer for 99 459:**

1. BEGA luminaires may be damaged if connected to conduit systems containing water- Article 300-5G of National Electric Code requires that "Conduits or raceways through which moisture may contact energized live parts shall be sealed or plugged at either or both ends".
2. This product must be installed in accordance with the applicable installation code by a person familiar with the construction and operation of the product and the hazards involved.
3. The cable hanger system of the luminaire is suitable for transverse suspension systems and longitudinal chain systems.
4. Integral LED module and LED driver supplied by BEGA.
5. Do NOT remove moisture absorption packet from luminaire housing
6. **WARNING:** LEDs are high quality electrical components. Please avoid touching them directly during installation.

**99 459 - installation:**

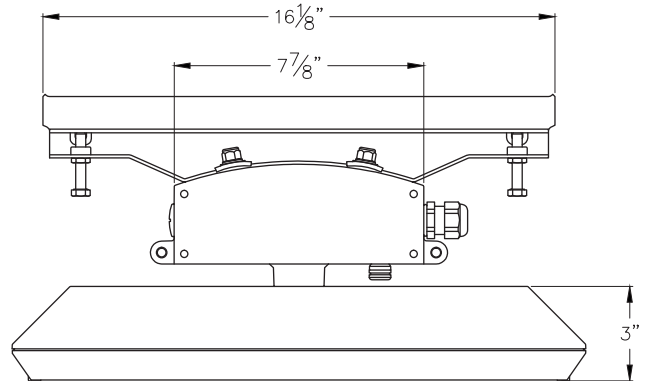
1. Place cable hanger with luminaire onto the tension cable (3/16" to 7/16" cable) (by others). Align unit axially.
2. Tighten 6mm hex screws to attach luminaire (cable clamp) to tension cable.
3. Secure 6mm hex screws with lock nut.
4. Loosen (4) 5mm hex screws and remove connection box cover to allow for main supply cable (provided by others) wiring to be accesible in
5. Make supply wiring and luminaire wiring connections inside the connection box (by others):

MAIN VOLTAGE SUPPLY WIRE TO BLACK LUMINAIRE WIRE  
 NEUTRAL (COMMON) SUPPLY WIRE TO WHITE LUMINAIRE WIRE  
 GREEN GROUND WIRE TO GREEN LUMINAIRE WIRE

Dimming (if applicable):

DIMMING CONTROL WIRE (+) TO POSITIVE DRIVER DIM CONTROL WIRE  
 DIMMING CONTROL WIRE (-) TO NEGATIVE DRIVER DIM CONTROL WIRE

6. Tighten supply cable strain relief and replace connection box cover.
7. If no through wiring is done, one screw cable gland must be closed with a "dummy" plug.
8. For vertical alignment of the fixture, loosen (2) M8 cap screws on top of connection box. Slide fixture to correct alignment (up to 15 degrees). Tighten (2) M8 cap screws.
9. For horizontal allignment (360 degrees) of the fixture, loosen (3) 3mm hex set screws on "neck" of fixture below connection box. Rotate to correct allignment. Tighten (3) 3mm set screws.



**Relamping/Maintenance**

No relamping necessary.

**Accessories**

Please refer to the appropriate accessory installation sheet for further instruction when applicable.

**Replacement Parts**

Description	Part No
Face Plate	FP9458
LED driver	75985-03
LED module (3000K) 4x	LED-0362/830
LED module (4000K) 4x	LED-0362/840

**Lamp:** 47.2W LED

In the interest of product improvement, BEGA reserves the right to make technical changes without notice.