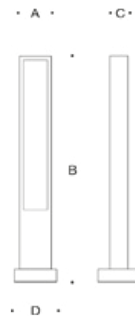


Tools Required:

- Adjustable wrench
- 1/2" nut driver
- 4mm hex key
- 5mm hex key

Protection Class: IP 65

Weight: 17.8 lbs.



Dimensions

- A:** 4-3/4 "
- B:** 39-3/8 "
- C:** 3-1/8 "
- D:** 6-7/16 "

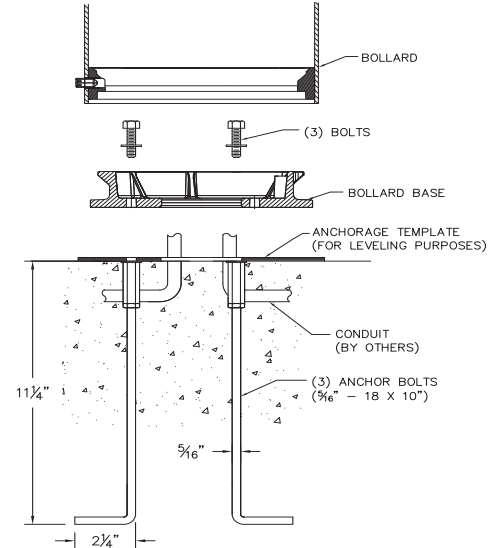


Notice to Installer for 99 326:

1. See page 2 for specific product safety warnings.
2. Fixture may be damaged if connected to conduit systems that contain water - Article 300-5G of the National Electric Code requires that "Conduits or raceways through which moisture may contact energized live parts shall be sealed or plugged at either or both ends."
3. 79 817 anchorage kit (included) must be installed in concrete pad/foundation.
4. It is recommended that when installing in planting areas the bollard base be slightly elevated to avoid prolonged submerging during heavy rains.
5. Wet location listing does not imply suitability for exposure to standing water for long periods of time.
6. LEDs are high-quality electronic components! Please avoid touching the light output opening of the LED directly during installation.

79 817 anchorage installation:

1. Provide means to bring supply wiring to the bollard in accordance with local code. The template has a 2-3/8" conduit hole for conduit entry.
2. Assemble anchorage kit. Unscrew the (3) hex bolts from the female couplers. Remove each hex bolt and washer. Align each anchor bolt with the hole in the template. Attach each anchor bolt to the template by replacing the washer and hex bolt and tightening.
3. Determine the finished grade for the application. Use leveling hardware to adjust template to desired finished height after pouring.
4. Install anchorage kit using either method:
 - A. Attach template to forming or cross bracing using the (2) nail holes provided in the template. Level template properly. Pour concrete.
 - B. Insert anchorage assembly into poured concrete. Concrete must be vibrated to ensure proper anchorage setting. Level template properly.



99 326 installation:

1. Remove (3) hex bolts and washers, once anchorage is set.
2. Leave template in place to provide a smooth, flat surface to mount the base.
3. Turn the base plate and remove from bollard, after loosening the 5mm set screw.
4. Align base plate holes with anchorage holes.
5. Bolt the base plate to using the (3) hex bolts and washers.
6. Make supply wiring connections to wire leads from driver inside the fixture
 - MAIN VOLTAGE SUPPLY WIRE TO BLACK LUMINAIRE WIRE;
 - NEUTRAL (COMMON) SUPPLY WIRE TO WHITE LUMINAIRE WIRE;
 - GREEN GROUND WIRE TO GREEN LUMINAIRE WIRE.
- Dimming (if applicable):
 - DIMMING CONTROL WIRE (+) TO POSITIVE DRIVER DIM CONTROL WIRE
 - DIMMING CONTROL WIRE (-) TO NEGATIVE DRIVER DIM CONTROL WIRE
7. Place the bollard over the base plate so that the (3) notches in the base plate align with the top.
8. Secure the bollard by tightening the 5mm set screw at the base.

Relamping/Maintenance

No relamping required.

Accessories

Please refer to the appropriate accessory installation sheet for further instruction when applicable.

Anchorage 79 817

Replacement Parts

| Description | Part No |
|--------------------|--------------|
| Gasket | 831392 |
| Diffuser | 141040 |
| Driver (120V-277V) | 75988-02 |
| LED (3000K) (x2) | LED-0380/830 |
| LED (4000K) (x2) | LED-0380/840 |

Lamp: 11.4W LED

In the interest of product improvement, BEGA reserves the right to make technical changes without notice.

Product Safety Warnings:

THIS PRODUCT MUST BE INSTALLED IN ACCORDANCE WITH THE APPLICABLE INSTALLATION CODE BY A PERSON FAMILIAR WITH THE CONSTRUCTION AND OPERATION OF THE PRODUCT AND THE HAZARDS INVOLVED. SUITABLE FOR WET LOCATIONS.

MIN 90°C SUPPLY CONDUCTORS.

CE PRODUIT DOIT ÊTRE INSTALLÉ SELON LE CODE D'INSTALLATION PERTINENT, PAR UNE PERSONNE QUI CONNAÎT BIEN LE PRODUIT ET SON FONCTIONNEMENT AINSI QUE LES RISQUES INHÉRENTS. CONVIENT AUX EMPLACEMENTS MOUILLÉS.

LES FILS D'ALIMENTATION 90°C MIN.