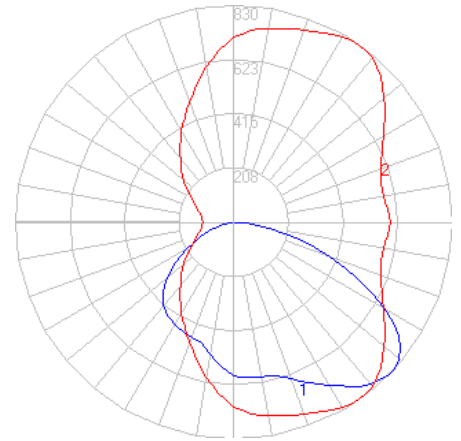


BEGA

Photometric Filename: 99076.IES

TEST: BE_99072
 TEST LAB: BEGA
 DATE: 4/25/2016
 LUMINAIRE: 99 076
 LAMP: (x2) 15.8W LED

*IES file based on single - See below for twin iso-footcandle template



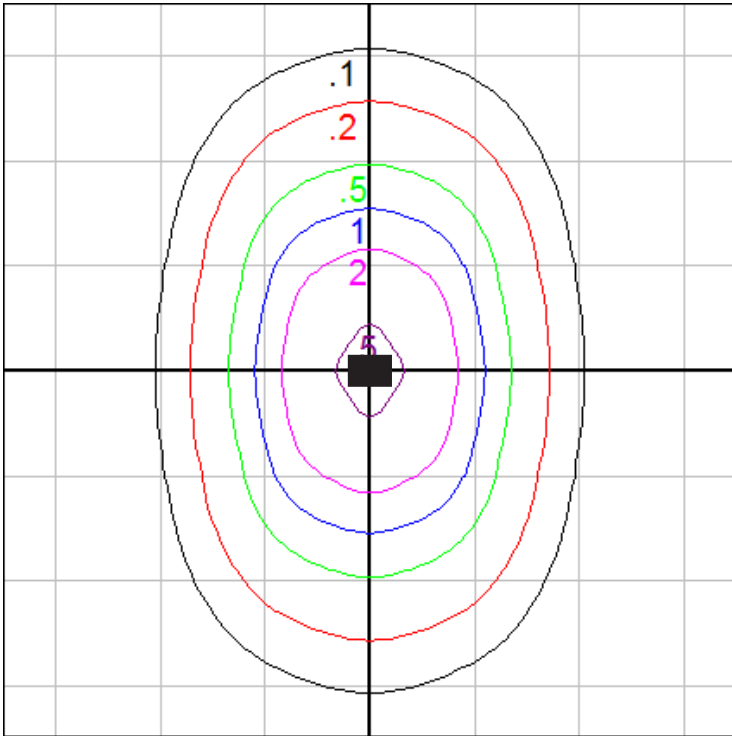
Characteristics

IES Classification	Type II
Longitudinal Classification	Very Short
Lumens Per Lamp	N.A. (absolute)
Total Lamp Lumens	N.A. (absolute)
Luminaire Lumens	2382
Downward Total Efficiency	N.A.
Total Luminaire Efficiency	N.A.
Luminaire Efficacy Rating (LER)	119
Total Luminaire Watts	20
Ballast Factor	1.00
Upward Waste Light Ratio	0.00
Max. Cd.	952.8 (300H, 45V)
Max. Cd. (<90 Vert.)	952.8 (300H, 45V)
Max. Cd. (At 90 Deg. Vert.)	0 (0.0%Lum)
Max. Cd. (80 to <90 Deg. Vert.)	183.5 (7.7%Lum)
Cutoff Classification (deprecated)	N.A. (absolute)

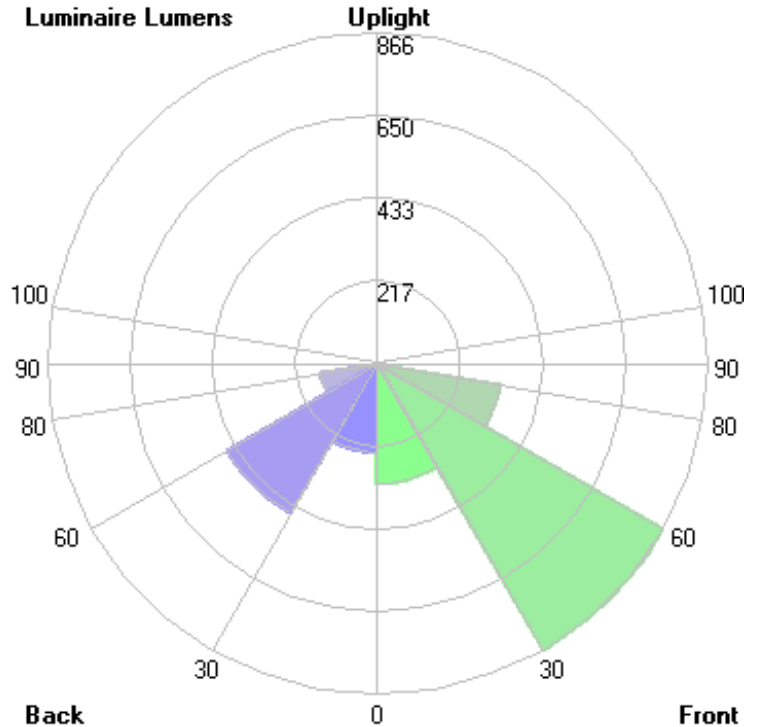
Lum. Classification System (LCS)

<u>LCS Zone</u>	<u>Lumens</u>	<u>%Lamp</u>	<u>%Lum</u>
FL (0-30)	315.0	N.A.	13.2
FM (30-60)	866.4	N.A.	36.4
FH (60-80)	327.8	N.A.	13.8
FVH (80-90)	22.4	N.A.	0.9
BL (0-30)	234.2	N.A.	9.8
BM (30-60)	454.1	N.A.	19.1
BH (60-80)	150.7	N.A.	6.3
BVH (80-90)	11.0	N.A.	0.5
UL (90-100)	0.0	N.A.	0.0
UH (100-180)	0.0	N.A.	0.0
Total	2381.6	N.A.	100.0

BUG Rating B1-U0-G1



Grid Spacing = 15 ft.



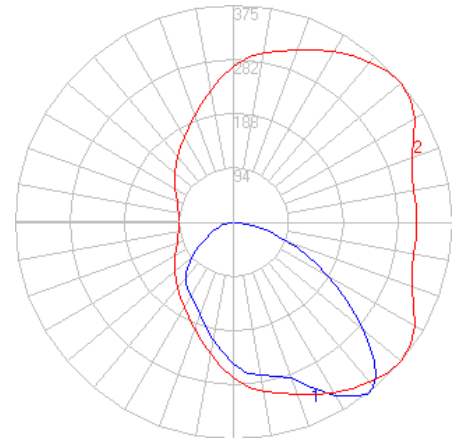
In the interest of product improvement, BEGA reserves the right to make technical changes without notice.

BEGA

Photometric Filename: 99076AMB.IES

TEST: L091913001
 TEST LAB: LIGHT LABORATORY, INC.
 DATE: 10/24/2019
 LUMINAIRE: 99 076 Amber
 LAMP: (x2) 29.4W LED

*IES file based on single - See below for twin iso-footcandle template



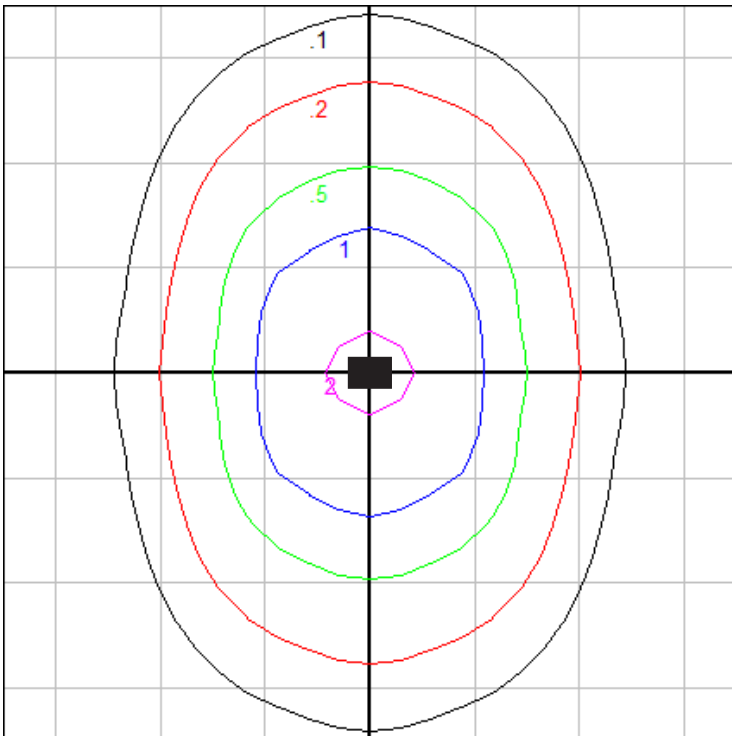
Characteristics

IES Classification	Type II
Longitudinal Classification	Very Short
Lumens Per Lamp	N.A. (absolute)
Total Lamp Lumens	N.A. (absolute)
Luminaire Lumens	851
Downward Total Efficiency	N.A.
Total Luminaire Efficiency	N.A.
Luminaire Efficacy Rating (LER)	25
Total Luminaire Watts	34.61
Ballast Factor	1.00
Upward Waste Light Ratio	0.00
Max. Cd.	375.34 (40H, 37.5V)
Max. Cd. (<90 Vert.)	375.34 (40H, 37.5V)
Max. Cd. (At 90 Deg. Vert.)	0 (0.0%Lum)
Max. Cd. (80 to <90 Deg. Vert.)	61.82 (7.3%Lum)
Cutoff Classification (deprecated)	N.A. (absolute)

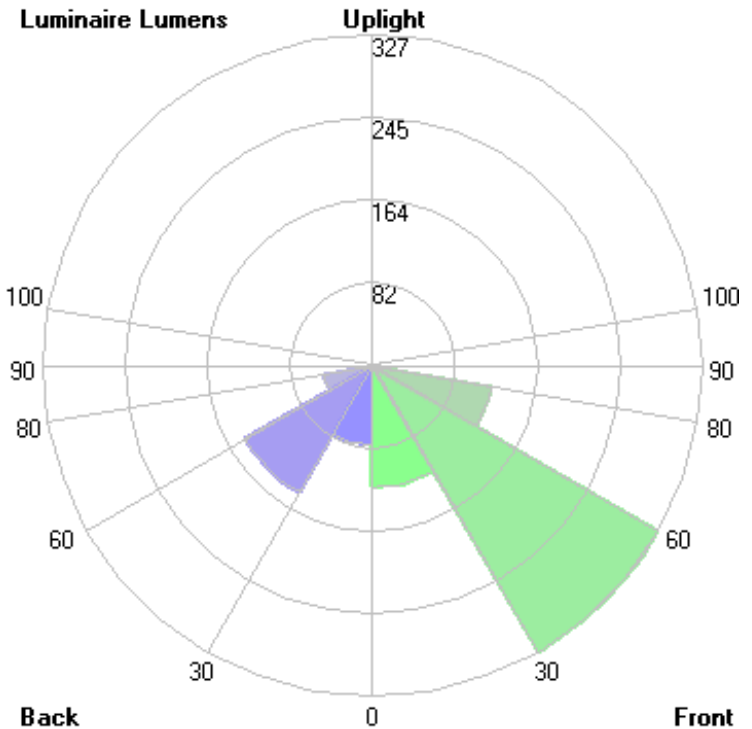
Lum. Classification System (LCS)

LCS Zone	Lumens	%Lamp	%Lum
FL (0-30)	120.2	N.A.	14.1
FM (30-60)	327.1	N.A.	38.4
FH (60-80)	119.4	N.A.	14.0
FVH(80-90)	8.2	N.A.	1.0
BL (0-30)	78.4	N.A.	9.2
BM (30-60)	145.6	N.A.	17.1
BH (60-80)	48.7	N.A.	5.7
BVH(80-90)	3.7	N.A.	0.4
UL (90-100)	0.0	N.A.	0.0
UH (100-180)	0.0	N.A.	0.0
Total	851.3	N.A.	100.0

BUG Rating B0-U0-G0



Grid Spacing = 10 ft.



In the interest of product improvement, BEGA reserves the right to make technical changes without notice.