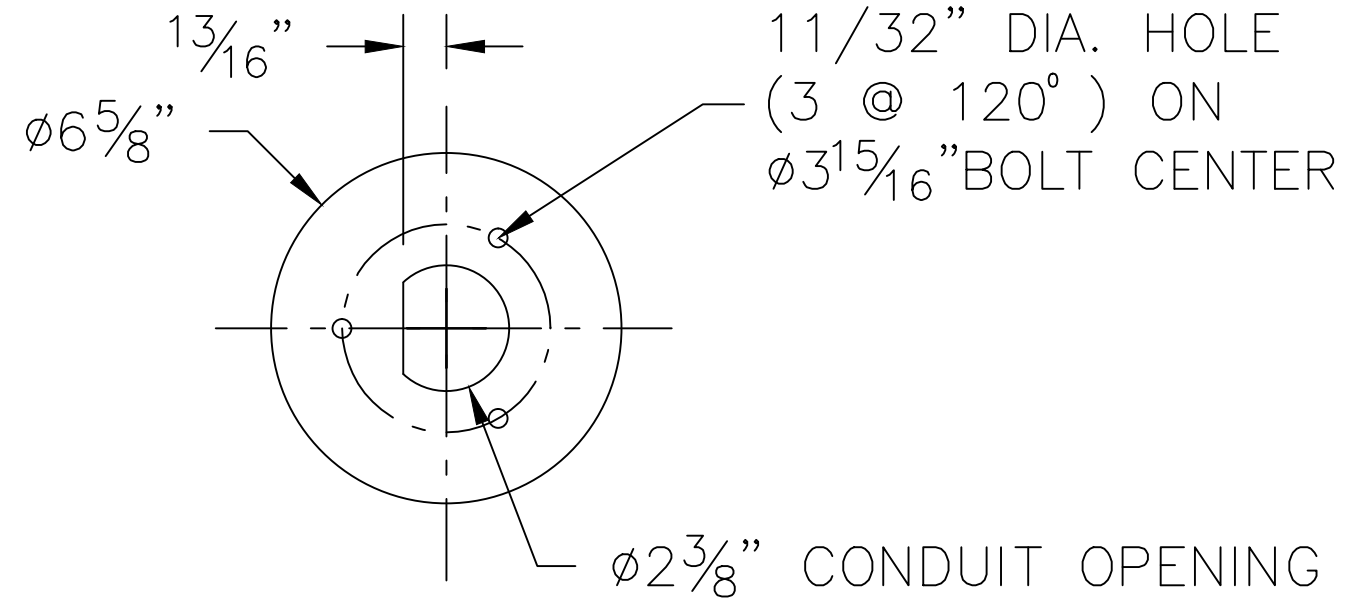
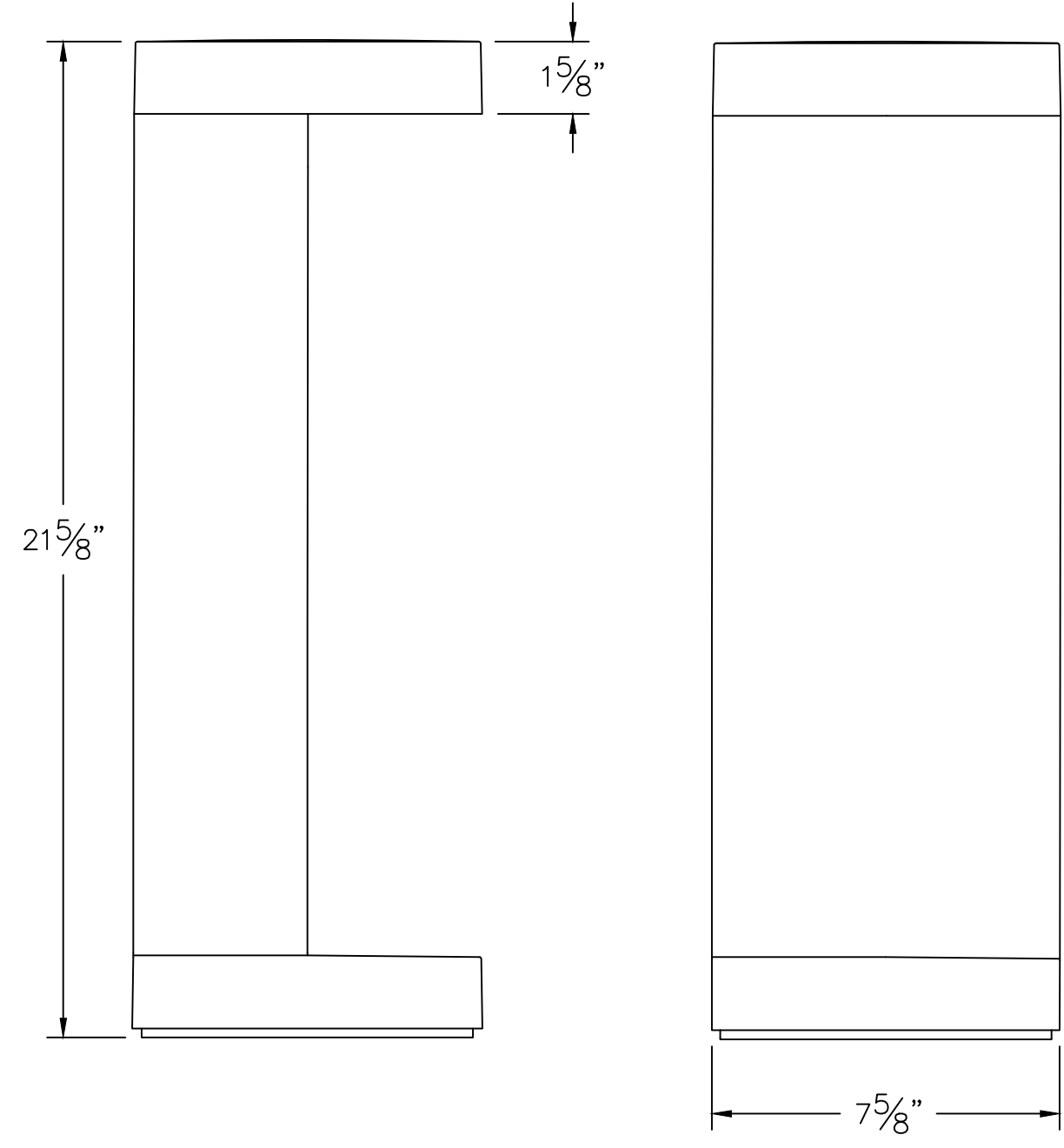


NOTE: LUMINAIRE 99 056 – SEE SPECIFICATIONS



ANCHORAGE 895A

TYPE: _____

SUBMITTAL APPROVAL

APPROVED BY: _____ DATE: _____

SIGNED: _____ DATE: _____

REV.	DATE	DESCRIPTION

CAT NO.: 99 056

PROJECT: _____

LOCATION: _____

DRAWN: JP

DATE: 9/1/2015 File Name: 99056.dxf

BEGA

1000 Bega Way
Carpinteria, Ca. 93013
(805) 684-0533