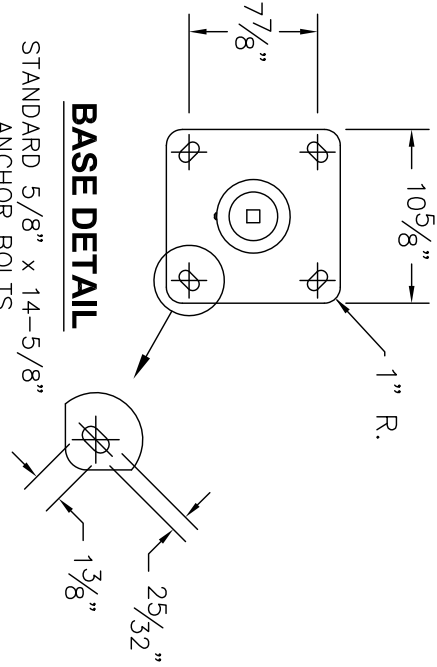


BASE COVER

(PAINTED TO MATCH METAL SECTION)



BASE DETAIL

STANDARD 5/8" x 14-5/8" ANCHOR BOLTS

FOR FULL SCALE TEMPLATE
ORDER BEGA PART # 40120
BASE DETAILS ARE FOR REFERENCE ONLY

DISCLAIMER

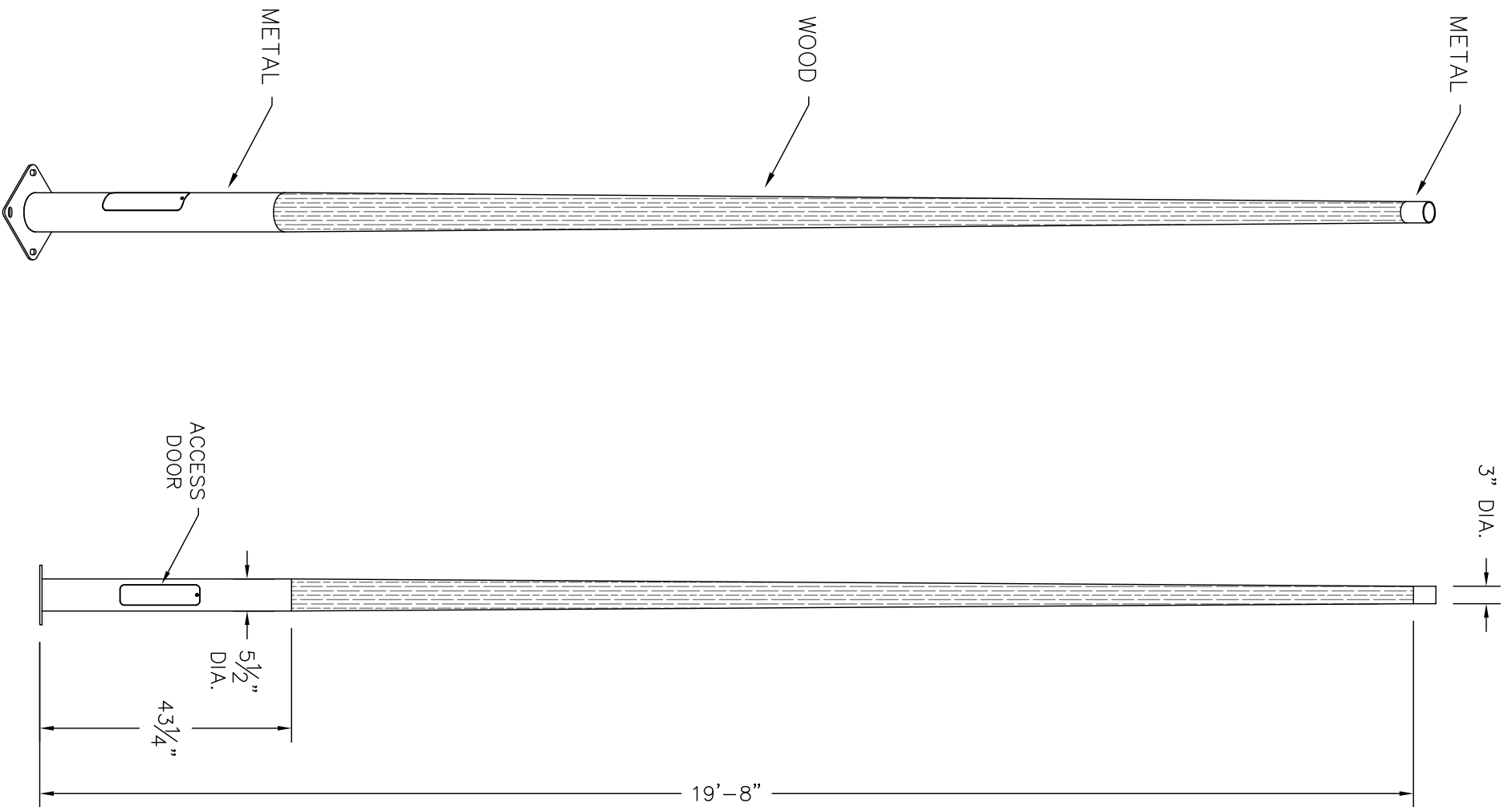
BEGA NORTH AMERICA WARRANTS THE SPECIFIC ANCHOR BOLTS AND POLE COMBINATION ACCORDING TO THE PRODUCT NUMBER(S) AND DESCRIPTION(S). STRUCTURAL CHANGES TO THE POLE REQUESTED BY THE CUSTOMER INCLUDING CHANGES TO POLE LENGTH, MAY AFFECT THE COMPATIBILITY OF THE ANCHOR BOLTS AND CORRESPONDING POLES.

BEGA NORTH AMERICA IS NOT RESPONSIBLE FOR THE INCOMPATIBILITY OF THE ANCHOR BOLTS AND POLES RESULTING FROM SUCH STRUCTURAL CHANGES WITHOUT REVIEW BY THE BEGA N.A. ENGINEERING DEPARTMENT. THIS INCLUDES, BUT IS NOT LIMITED TO: ANY LABOR CHARGES, CHARGES FOR REPLACEMENT MATERIALS AND SHIPPING.

SEE LUMINAIRE SPECIFICATION SHEET FOR ADDITIONAL DETAILS INCLUDING EPA & WEIGHT FOR POLE SIZING PURPOSES

MAXIMUM EPA AT VARIOUS MPH, ALLOWS FOR 1.3 GUST FACTOR*						
POLE NO.	MPH	70	80	90	100	120
98506	EPA -	15.4	11.5	8.4	6.2	3.2

*NOTE: DATA ABOVE ASSUMES GRADE LEVEL INSTALLATION AND A MAXIMUM LUMINAIRE WEIGHT OF 50 LBS.



This print contains confidential information which is the property of BEGA/US. By accepting this information, the borrower agrees that it will not be used for any other purpose other than that which is was loaned.

Catalog No.: 98506
 Description: POLE - Tapered Round
 Drawn by: Bob Mc Date: 2/17/22 File Name: 98506_B

SCALE: NONE - DO NOT SCALE DRAWING

BEGA

1000 Bega Way
 Carpinteria, Ca. 93013
 (805) 684-0533