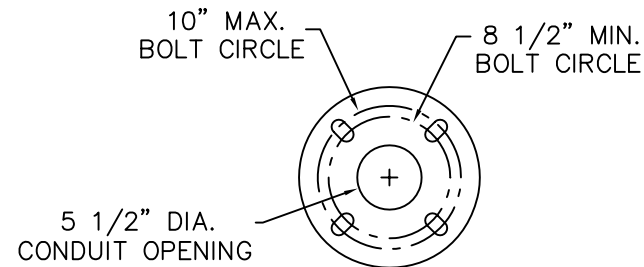
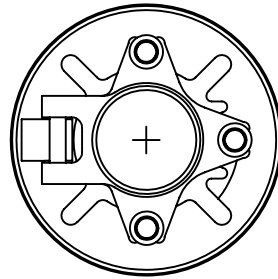


POLE BASE INCLUDES
3/8"-16 TAPPED HOLE
FOR GROUND CONNECTOR

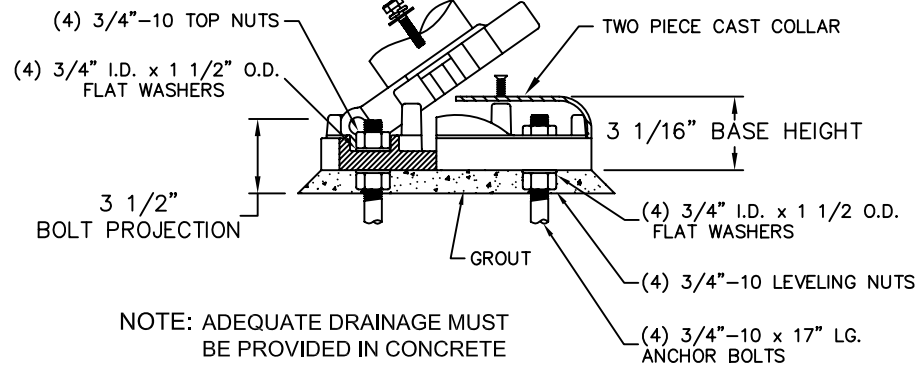


BASE DETAIL

STANDARD (4) 3/4" x 17"
ANCHOR BOLTS & MTG. TEMPLATE
SUPPLIED WITH POLE
OR IN ADVANCE.

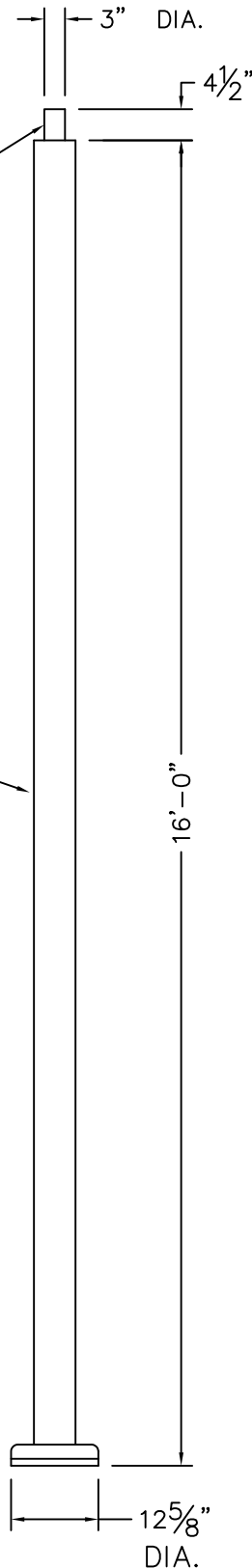
- (3) 1/2"-13 SS HEX HEAD TOP
RETAINING BOLTS EACH WITH
(1) SS FLATWASHERS AND (1)
SS SPLIT LOCKWASHER

NOTE: TWO PIECE
COLLAR NOT SHOWN

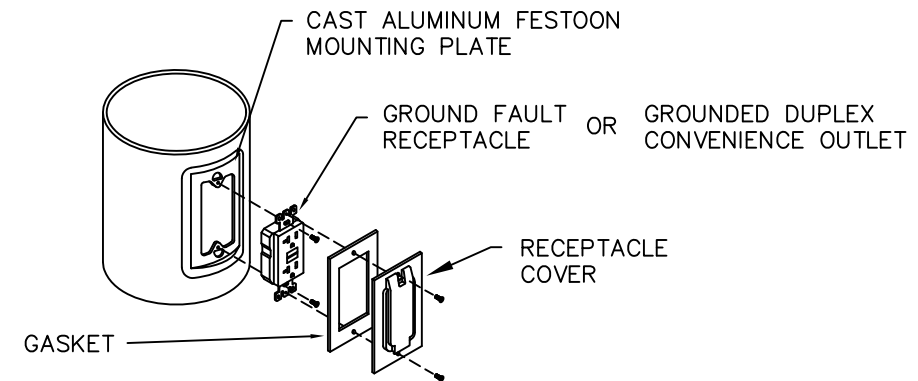


NOTE: ADEQUATE DRAINAGE MUST
BE PROVIDED IN CONCRETE
FOUNDATION OR GROUT.

6" OD STRAIGHT
ALUMINUM POLE
W/ HINGE BASE
BY BEGA



POLE OPTIONS / ACCESSORIES:



NOTE:
GFI COVERS PROVIDED ARE INTENDED FOR
PORTABLE TOOLS OR OTHER PORTABLE
EQUIPMENT CONNECTED TO THE OUTLET
WHEN ATTENDED.
WET LOCATION LISTED WHEN COVER IS
CLOSED.

RECEPTACLE OPTION

DISCLAIMER

BEGA-US WARRANTS THE SPECIFIC ANCHOR BOLTS &
POLE COMBINATION ACCORDING TO THE PRODUCT
NUMBER(S) AND DESCRIPTION(S). STRUCTURAL
CHANGES TO THE POLE REQUESTED BY THE CUSTOMER
INCLUDING CHANGES TO POLE LENGTH, MAY AFFECT THE
COMPATIBILITY OF THE ANCHOR BOLTS AND
CORRESPONDING POLES.
BEGA-US IS NOT RESPONSIBLE FOR THE
INCOMPATIBILITY OF THE ANCHOR BOLTS AND POLES
RESULTING FROM SUCH STRUCTURAL CHANGES
WITHOUT REVIEW BY THE BEGA-US ENGINEERING DEPT.
THIS INCLUDES, BUT IS NOT LIMITED TO; ANY LABOR
CHARGES, CHARGES FOR REPLACEMENT MATERIALS
AND SHIPPING.

SEE LUMINAIRE SPECIFICATION SHEET FOR ADDITIONAL DETAILS

MAXIMUM EPA AT VARIOUS MPH, ALLOWS FOR 1.3 GUST FACTOR*						
POLE NO.	MPH -	70	80	90	100	120
916HR	EPA -	18.4	13.8	10.7	8.5	6.0

*PER AASHTO 1994 WIND MAP

NOTE: DATA ABOVE ASSUMES GRADE LEVEL INSTALLATION AND
A MAXIMUM LUMINAIRE WEIGHT OF 50 LBS.

CAUTION: RAISING OR LOWERING OF THE POLE REQUIRES ADEQUATE PREPERATION
DO NOT UNDERESTIMATE THE FORCE REQUIRED TO RAISE OR LOWER
POLES WITH HEAVY LUMINAIRES AT THE TOP.

Catalog No.: 916HR

Description: POLE - Aluminum Straight 6" Dia. x 16' w/Hinged Base

Drawn by: Bob Mc Date: 4/16/14 File Name: 916HR

SCALE: NONE - DO NOT SCALE DRAWING

This print contains confidential information
which is the property of BEGA/US.
By accepting this information, the
borrower agrees that it will not be used
for any other purpose other than that
which is loaned.

BEGA

1000 Bega Way
Carpinteria, Ca. 93013
(805) 684-0533