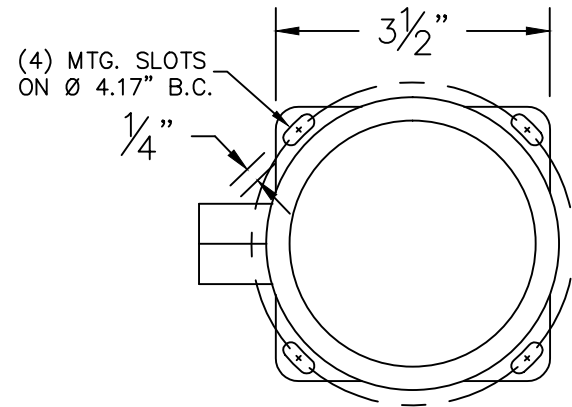
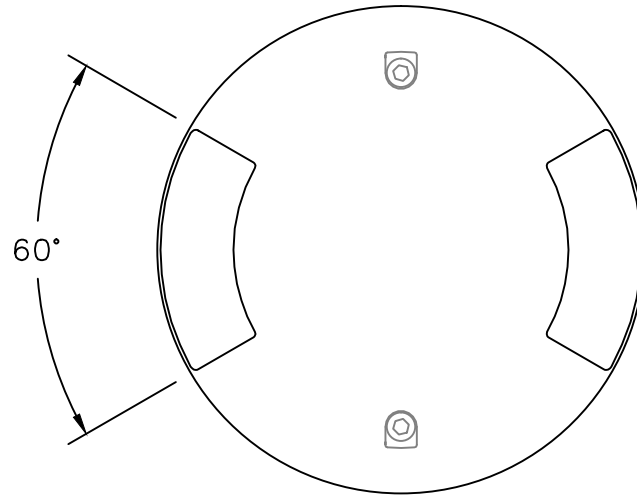


NOTES:

- LUMIANIRE #88 674 – SEE SPECIFICATIONS:

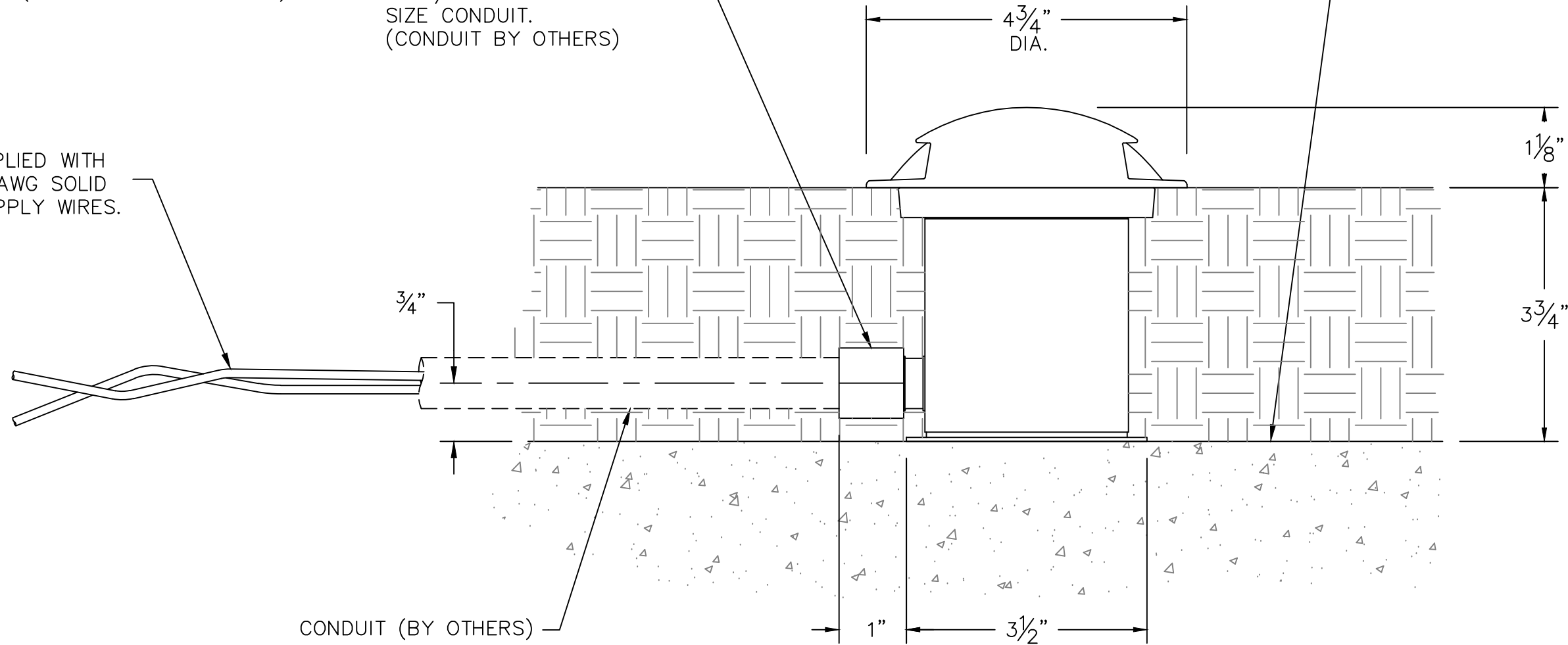


MOUNTING DETAIL
(TOP VIEW WITHOUT TOP)



LUMINAIRE SUPPLIED WITH COUPLING NUT TO ATTACH TO 1/2" THREADED TRADE SIZE CONDUIT. (CONDUIT BY OTHERS)

LUMINAIRE SUPPLIED WITH 10 FEET OF 12AWG SOLID CORE THHN SUPPLY WIRES.



A LEVEL SURFACE MUST BE PROVIDED FOR PROPER INSTALLATION.

Catalog No.: 88 674

Description: Drive-over In-grade Luminaire

Drawn by: Bob Mc Date: 8/11/15 File Name: 88674.dxf

SCALE: NONE – DO NOT SCALE DRAWING

This print contains confidential information which is the property of BEGA/US. By accepting this information, the borrower agrees that it will not be used for any other purpose other than that which is loaned.

BEGA

1000 Bega Way
Carpinteria, Ca. 93013
(805) 684-0533