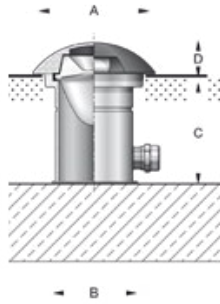


Tools Required:

- 3mm hex key
- Flathead screwdriver, small



Dimensions

- A: 4-3/4"
- B: 3-1/2"
- C: 3-3/4"
- D: 1-1/8"



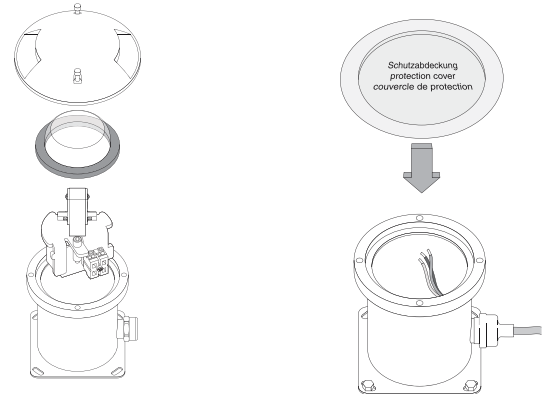
Protection Class: IP67

Weight: 3.1 lbs.

Notice to Installer for 88 674:

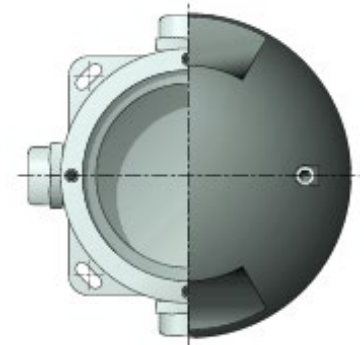
1. Fixture is pre-wired with 10' lengths of (2) #12 AWG wires and a waterproof cable gland entry into housing. **DO NOT DISTURB THE SEAL.**
2. This in-ground luminaire must be supplied by a UL Listed Class 2 electronic remote 24V DC power supply.
3. The fixtures are wet location rated, not submersible, they should not be installed in "low" points of concrete or earth installations where they are going to be submerged underwater for an extended period of time.
4. A level surface **MUST** be provided for proper installation.
5. LED Module is supplied in a electro-static free package. When handling during installation, avoid direct contact with LED chips and circuit board to avoid electro-static discharge.

NOTE: BEGA Fixtures may be damaged if connected to a conduit system that contains water. Article 300-5G of the National Electric Code requires that "conduits or raceways through which moisture may contact energized live parts shall be sealed or plugged at both ends".



88 674 installation:

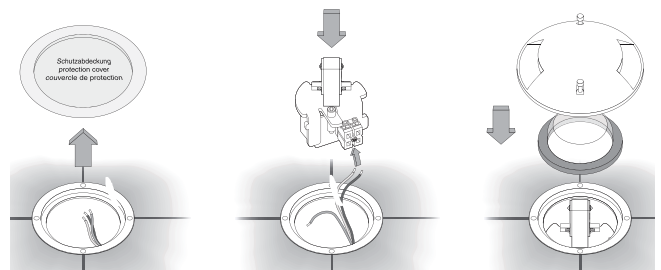
1. Store faceplate, glass, and LED module in a safe place until after the floor construction is complete.
2. The luminaire housing must be firmly mounted to a proper foundation. The top edge of the luminaire housing must be flush to the prepared floor. Failure to do so may result in the fixture not sealing properly and void the warranty. Anchor the fixture to a foundation suitable for the intended vehicular or pedestrian loads.
NOTE: MAKE SURE TO ALIGN THE FIXTURE HOUSING SO THE FACEPLATE PORTS WILL BE ORIENTED PER DESIGN SPECS.
3. Connect the fixture to 1/2" plastic or steel conduit. Pull the provided wire through the conduit and thread conduit into provided brass adapter. **DO NOT DISTURB THE FACTORY SEAL OF THE CONDUIT CONNECTOR.** Use a suitable thread sealer on the 1/2" NPS conduit entry.



4. The enclosed protective cover is meant to protect the inner housing against debris during building activity. Ensure protective cover is in place and finish floor.
5. Remove protective cover and clean the housing and gasket sealing surface.
6. Make wiring connections to LED module inside luminaire housing, and attach LED module to luminaire housing by tightening (2) screws, making sure LED orientation is correct.

NOTE: Electro-static discharge can damage the LED module. Take precautions to limit ESD by not touching any LED components directly, and discharging any static electricity before handling by touching a metal surface or ground wire.

7. Place glass into housing, making sure gasket is seated properly, and attach faceplate by tightening (2) screws.



Relamping (LED MODULE) and Maintenance

Loosen faceplate screws and remove faceplate and glass. Loosen module screws and disconnect LED module, then replace. Clean glass using only solvent-free cleaners. Replace faceplate and tighten screws, making sure gasket is seated properly.

Accessories

Please refer to the appropriate accessory installation sheet for further instruction when applicable.

- Remote 25W LED Driver and box 19 580
- Remote 50W LED Driver and box* 19 591

Replacement Parts

Description	Part No
Top cover	223213
Glass	112744.2
Gasket	83001795
LED Module (3000K)	(2x) LED-0304/830
LED Module (4000K)	(2x) LED-0304/840

Lamp: 2W LED, 24V DC

In the interest of product improvement, BEGA reserves the right to make technical changes without notice.

Product Safety Warnings:

THIS PRODUCT MUST BE INSTALLED IN ACCORDANCE WITH THE APPLICABLE INSTALLATION CODE BY A PERSON FAMILIAR WITH THE CONSTRUCTION AND OPERATION OF THE PRODUCT AND THE HAZARDS INVOLVED. SUITABLE FOR WET LOCATIONS.

MIN 90°C SUPPLY CONDUCTORS.

CE PRODUIT DOIT ÊTRE INSTALLÉ SELON LE CODE D'INSTALLATION PERTINENT, PAR UNE PERSONNE QUI CONNAÎT BIEN LE PRODUIT ET SON FONCTIONNEMENT AINSI QUE LES RISQUES INHÉRENTS. CONVIENT AUX EMPLACEMENTS MOUILLÉS.

LES FILS D'ALIMENTATION 90°C MIN.