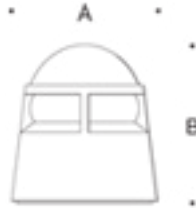


**Tools Required:**

- 4mm hex key
- Adjustable wrench
- Phillips medium screwdriver



**Dimensions**

- A:** 6-3/4 "
- B:** 7-1/2 "



**Protection Class:** IP 67

**Weight:** 6.0 lbs.

**Notice to Installer for 88 360:**

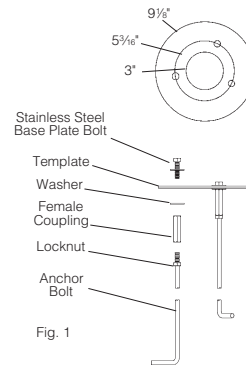
1. See page 2 for specific product safety warnings.
2. A separate waterproof wiring box suitable for installing in outdoor locations must be provided by others (Bell #5361-0 or equivalent).
3. Concrete pad to be provided (by others). Proper drainage must be provided.
4. Mounts to BEGA #79 815 anchorage kit (supplied).
5. In conformance with UL Standard 1598, a silicone based sealant must be used between luminaire base plate and concrete pad to ensure a watertight seal.
6. LEDs are high-quality electronic components! Please avoid touching the light output opening of the LED directly during installation.

**79 815 anchorage kit - installation:**

1. Establish the finished grade for the application. It is recommended that for installation in planting areas, the base be slightly elevated to avoid submerging during heavy rains or irrigation.
2. Check the anchorage kit against dimensions shown and assemble per Fig #1.
3. Position the anchorage and splice box (by others) as shown in Fig #2. **Splice box must be suitable for use in poured concrete and MUST be flush with the finished face of the concrete.**
4. Prior to pouring concrete, make sure that the anchor kit is level. The anchor template is intended to sit on top of the finished concrete and be level.

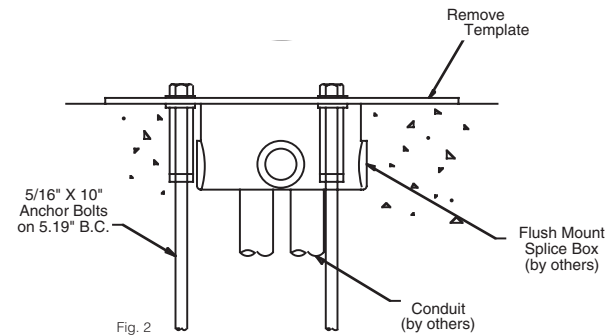
**NOTE:** Two methods of installation can be used:

- A. The template may be drilled with two nail holes to allow the anchorage assembly to be nailed to cross bracing or forms before concrete pour.
- B. Complete anchorage assembly can be inserted into concrete after concrete pour and leveling. Important: Concrete must be vibrated or tamped to ensure it fully surrounds the female couplings.



**88 360 - installation:**

1. After concrete has set, remove the anchor template by removing the three hex head bolts.
2. Using a 4mm hex key, loosen the set screw at the base of the outer casting and remove it.
3. Loosen the three M4 socket head cap screws on the base plate and rotate the inner housing and separate from the base plate.
4. Place a continuous bead of silicone around the outer flange of the base plate and secure to the anchorage on concrete pad using the three hex head bolts that held the template.
5. Pull the supply wires from the splice box and make the necessary wiring connections:  
 MAIN VOLTAGE SUPPLY WIRE TO BLACK LUMINAIRE WIRE;  
 NEUTRAL (COMMON) SUPPLY WIRE TO WHITE LUMINAIRE WIRE;  
 GREEN GROUND WIRE TO GREEN LUMINAIRE WIRE.
- Dimming (if applicable):  
 DIMMING CONTROL WIRE (+) TO POSITIVE DRIVER DIM CONTROL WIRE  
 DIMMING CONTROL WIRE (-) TO NEGATIVE DRIVER DIM CONTROL WIRE
6. Re-attach the inner housing to the base plate.
7. Re-attach the outer housing and secure into place once the ports are aligned in the desired orientation.



**Relamping/Maintenance**

No relamping required.

**Accessories**

Please refer to the appropriate accessory installation sheet for further instruction when applicable.

Anchorage Kit 79 815

**Replacement Parts**

Description	Part No
Lens	112509.2
Lens gasket 2x	830653
Driver (120-277V)	75990

**Lamp:** 9W LED

In the interest of product improvement, BEGA reserves the right to make technical changes without notice.

## Product Safety Warnings:

**THIS PRODUCT MUST BE INSTALLED IN ACCORDANCE WITH THE APPLICABLE INSTALLATION CODE BY A PERSON FAMILIAR WITH THE CONSTRUCTION AND OPERATION OF THE PRODUCT AND THE HAZARDS INVOLVED. SUITABLE FOR WET LOCATIONS.**

**MIN 60°C SUPPLY CONDUCTORS.**

**CE PRODUIT DOIT ÊTRE INSTALLÉ SELON LE CODE D'INSTALLATION PERTINENT, PAR UNE PERSONNE QUI CONNAÎT BIEN LE PRODUIT ET SON FONCTIONNEMENT AINSI QUE LES RISQUES INHÉRENTS. CONVIENT AUX EMPLACEMENTS MOUILLÉS.**

**LES FILS D'ALIMENTATION 60°C MIN.**

---