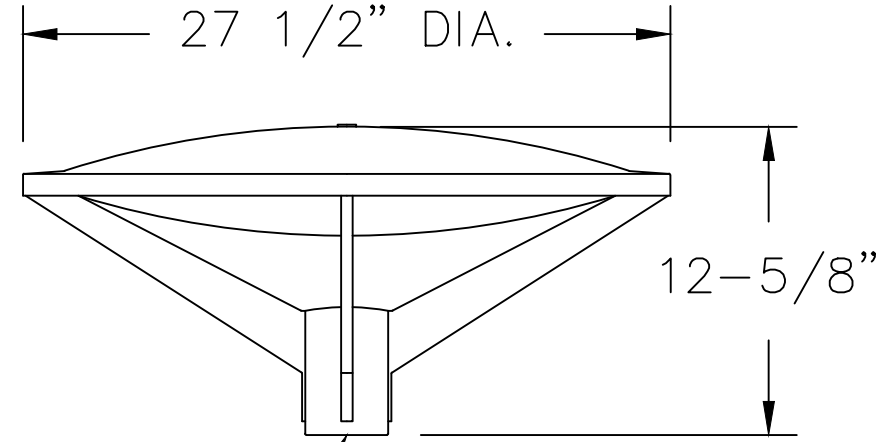


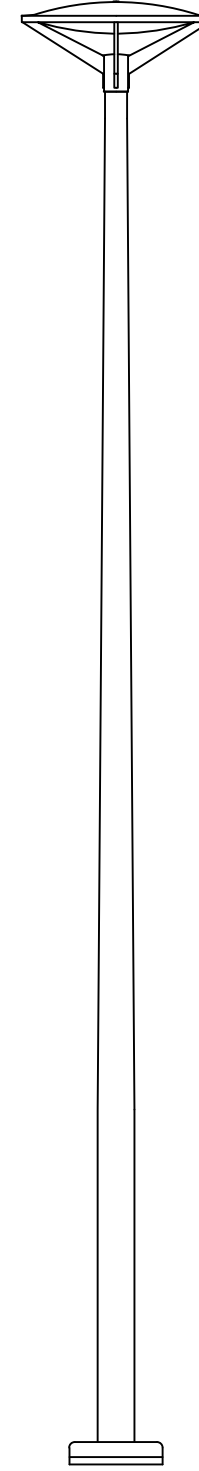
NOTES:

1. LUMINAIRE 88 263 – SEE SPECIFICATIONS.



SLIP FITS 3" O.D.
POLE OR TENON

(REQUIRES A MINIMUM 3" LENGTH OF
STRAIGHT DIA. POLE/TENON)



SHOWN ON 1508HR

TYPE: _____

SUBMITTAL APPROVAL

APPROVED BY: _____ DATE: _____

SIGNED: _____

REV.	DATE	DESCRIPTION

CAT NO.: 88 263

PROJECT: -

LOCATION: -

DRAWN: HA DATE: 3/18/2016 FILE NAME: 88263.DXF

BEGA

1000 Bega Way
Carpinteria, Ca. 93013
(805) 684-0533

This print contains confidential information which is the property of BEGA U.S. By acceptance this information, the borrower agrees that it will not be used for any other purpose other than that which is loaned.