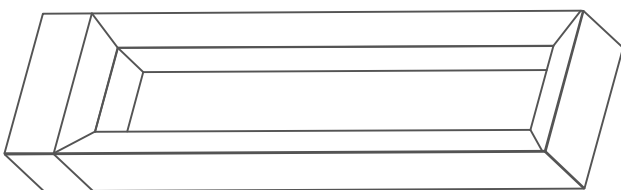
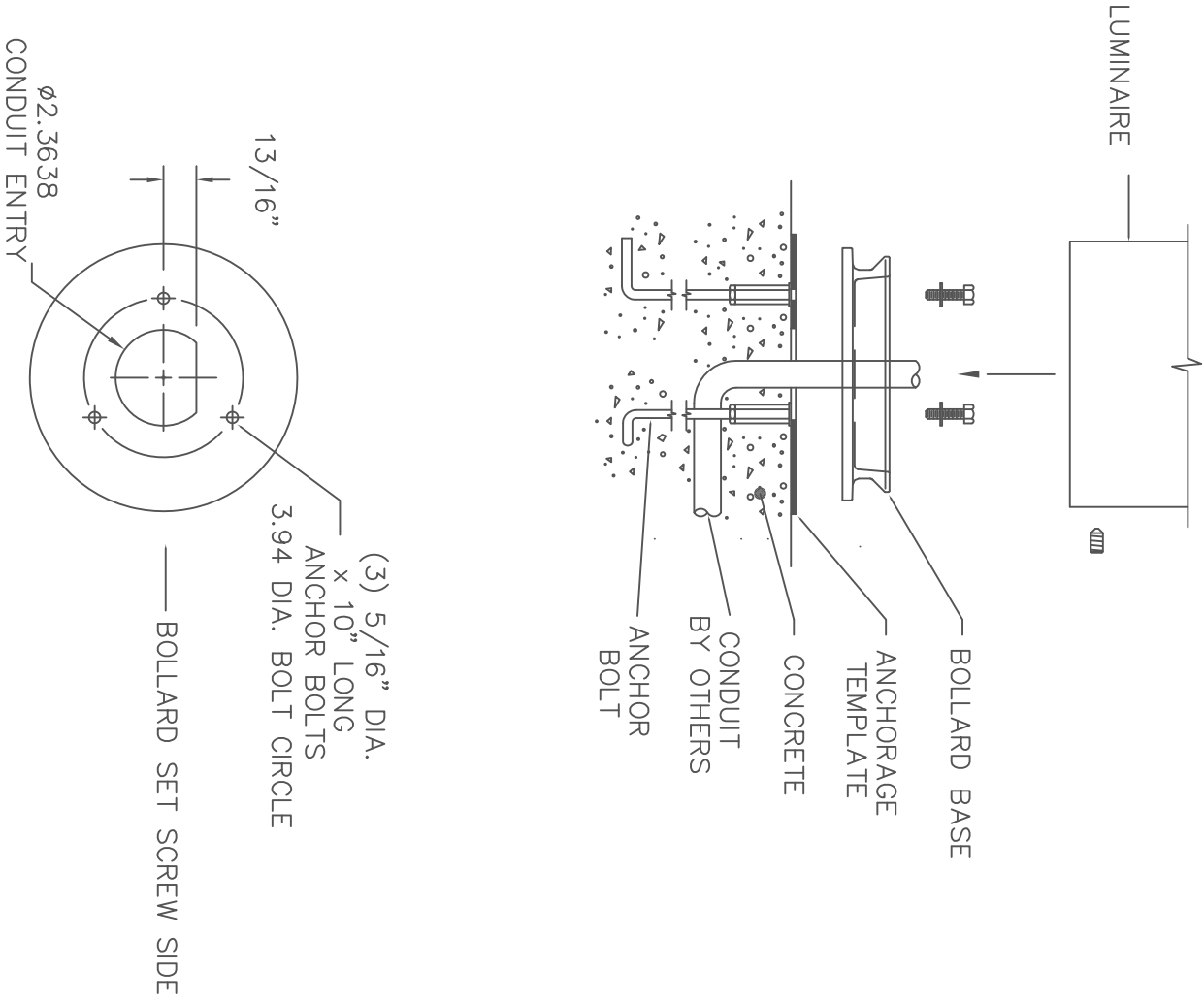


NOTES:

- 1. LUMINAIRE #88 062 – SEE SPECIFICATIONS;



BOLLARD BASE TEMPLATE 79 817

(SCALE: NONE)

TYPE: _____

<p>SUBMITTAL APPROVAL</p> <p>APPROVED BY: _____</p> <p>SIGNED: _____ DATE: _____</p>			<p>CAT NO.: 88 062</p>		<p>BEGA</p> <p>1000 Bega Way Carpinteria, Ca. 93013 (805) 684-0533</p>
			<p>PROJECT: _____</p>		
<p>LOCATION: _____</p>		<p>DRAWN: RA DATE: 8/10/15 File Name: 88062.dxf</p>			
REV.	DATE	DESCRIPTION			

This print contains confidential information which is the property of BEGA U.S. By acceptance this information, the borrower agrees that it will not be used for any other purpose other than that which is was loaned.