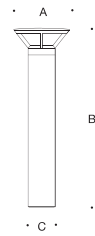


Tools Required:

- Adjustable wrench
- 1/2" nut driver
- 4mm hex key
- 5mm hex key

Overview:

LED Watts: 36.3W
 System Watts: 40.5W
 Controllability: 0-10V, TRIAC, and ELV dimmable
 Weight: 25.2 lbs.
 Protection Class: IP65



Dimensions

- A:** 13-1/2"
B: 43-1/8"
C: 6-1/2"



Notice to Installer:

1. See page 2 for specific product safety warnings.
2. Fixture may be damaged if connected to conduit systems that contain water. Article 300-5G of the National Electric Code requires that "Conduits or raceways through which moisture may contact energized live parts shall be sealed or plugged at either or both ends."
3. 79 817 Anchorage Kit (included) must be installed in concrete pad/foundation.
4. It is recommended that when installing in planting areas the base of the bollard be slightly elevated to avoid prolonged submerging during heavy rains.
5. Wet location listing does not imply suitability for exposure to standing water for long periods of time.
6. LEDs are high-quality electronic components! Please avoid touching the light output opening of the LED directly during installation.

Installation: 79 817 Anchorage Kit (included)

1. Provide means to bring supply wiring to the bollard in accordance with local code. See Figure 1 for size the of the conduit entry opening.
2. Assemble the anchorage kit. Unscrew the (3) base plate bolts from the female couplers and remove each bolt and washer. Align each anchor bolt with the hole in the template. Attach each anchor bolt to the template by replacing the washer and base plate bolt and tightening. Do not remove nuts and washers from bottom of anchor bolt; this provides the pullout force. See Figure 2.
3. Install anchorage kit using either method:
 - Attach template to forming or cross bracing using the (2) nail holes provided in the template. Level template properly. Pour concrete.
 - Insert anchorage assembly into poured concrete. Concrete must be vibrated to ensure proper anchorage setting. Level template properly.
 NOTE: Allow adequate time for concrete to cure properly.
4. Remove (3) hex base plate bolts and washers once anchorage is set.
5. Remove template. Smooth concrete pad as required.

Figure 1:

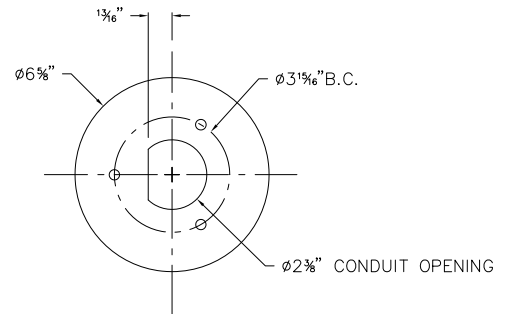
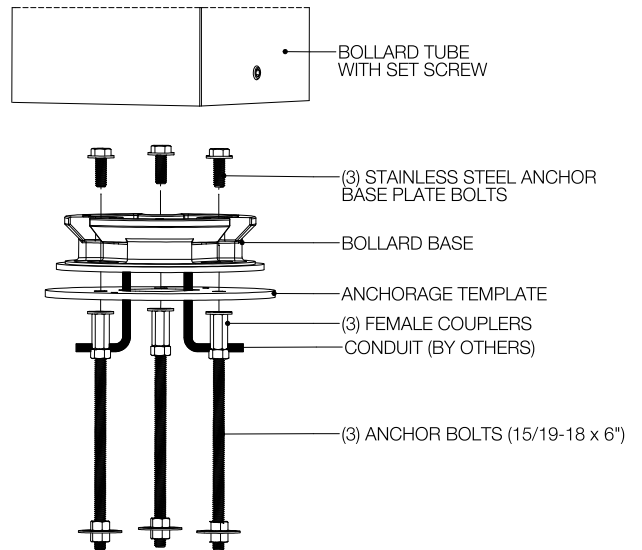


Figure 2:



Installation: 84 610 Luminaire

1. Loosen the 5mm set screw and turn the base plate to remove the base from the bollard.
2. Align base plate holes with anchorage holes.
3. Bolt the base plate to the anchorage kit using the (3) hex base plate bolts and washers.
4. Make supply wiring connections to wire leads from ballast inside the fixture
 - MAIN VOLTAGE SUPPLY WIRE TO BLACK BALLAST WIRE;
 - NEUTRAL (COMMON) SUPPLY WIRE TO WHITE BALLAST WIRE;
 - GREEN GROUND WIRE TO GREEN BALLAST WIRE
 Dimming (if applicable):
 DIMMING CONTROL WIRE (+) TO POSITIVE DRIVER DIM CONTROL WIRE
 DIMMING CONTROL WIRE (-) TO NEGATIVE DRIVER DIM CONTROL WIRE
5. Place the bollard over the base plate so that the (3) notches in the base plate align with the top. Lock fixture into place by turning bollard 1/4" turn.
6. Secure the bollard by tightening the 5mm set screw at the base.

Accessories

Please refer to the appropriate accessory installation sheet for further instruction when applicable.

Maintenance:

Clean regularly with solvent-free cleaner removing dirt and debris. Do not use high pressure cleaners.

Replacement Parts

See label inside of fixture for LED replacement part number.

Consult factory for all other replacement components.

Product Safety Warnings:

THIS PRODUCT MUST BE INSTALLED IN ACCORDANCE WITH THE APPLICABLE INSTALLATION CODE BY A PERSON FAMILIAR WITH THE CONSTRUCTION AND OPERATION OF THE PRODUCT AND THE HAZARDS INVOLVED. SUITABLE FOR WET LOCATIONS. MIN 90°C SUPPLY CONDUCTORS.

CE PRODUIT DOIT ÊTRE INSTALLÉ SELON LE CODE D'INSTALLATION PERTINENT, PAR UNE PERSONNE QUI CONNAÎT BIEN LE PRODUIT ET SON FONCTIONNEMENT AINSI QUE LES RISQUES INHÉRENTS. CONVIENT AUX EMPLACEMENTS MOUILLÉS.

LES FILS D'ALIMENTATION 90°C MIN.