

Tools Required:

- 3mm hex key
- Standard small slotted screwdriver
- Digging tool

Replacement Parts:

- LED Module LED-0208/930
- LED Driver 75946
- Cable (3 ft.) 86086

Dimensions

- A: 4 3/4"
- B: 31 3/8"



CSA certified to U.S. and Canadian standards. Suitable for wet locations.

Protection Class: IP65

Weight: 10 lbs.

Luminaire 84 605:

Housings: Garden bollard housing made of aluminum alloy with matte safety glass. Anchorage post (supplied) made of galvanized steel.

Electrical: 2.9W LED luminaire, 4.4 total system watts, -30°C start temperature. Integral 12V AC driver provided. Standard LED color temperature is 3000K with >90 CRI.

IMPORTANT: For use with magnetic landscape transformers **ONLY**.

Warranty: 3 year manufacturer warranty

Notice to Installer for 84 605:

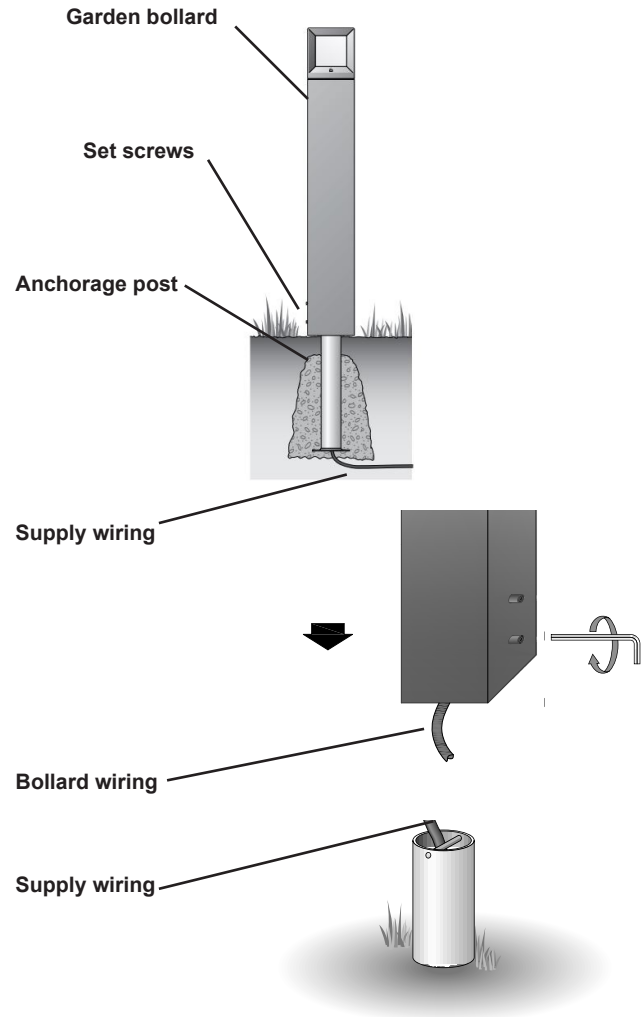
WARNING: LEDs are high-quality electrical components. Please avoid opening upper electrical compartment and do NOT touch LED module.

WARNING: RISK OF ELECTRIC SHOCK. Install all luminaires 10 feet or more from pool, spa or fountain.

1. Compatible for use with 12-24V AC input voltage.
2. Voltage must NOT drop below 10V.
3. Turn main power OFF before start of installation.
4. Low voltage wiring is intended for shallow burial - no more than 6 in.
5. Wiring connections must be water tight.

84 605 installation:

1. Establish area for fixture placement and prepare soil for anchorage by digging a hole (12" maximum depth).
2. Dig a trench from the anchorage hole to the power source. Depth of the trench will be determined by national, state, and local codes.
3. Install at least 3" of pea gravel or similar in the bottom of the anchorage hole for drainage.
4. Loosen (2) set screws on garden bollard to release anchorage post.
5. Bring 12V-24V supply wiring into the bottom of the anchorage post and feed through to the top until there is 12" of cable coming up through the top of the anchorage post.
6. Bury supply wiring cable in trench.
7. Place anchorage post into hole and fill in hole with packed soil, making sure that the post is vertical and secure.
8. Make wire splices from supply wiring coming out of anchorage post to bollard wiring coming down from bollard shaft. For maximum wire run lengths, see table to the right.
9. Push splices into bollard shaft.
10. Mount bollard onto anchorage post until the bottom of the bollard hits the ground. Tighten (2) set screws to secure bollard to anchorage shaft.
11. Connect supply wiring to main power. Turn main power on.



Max. Run Length (ft) Per Wire Size: 2 Volt drop					
Connected LED Watts	Wire Size (AWG)				
	18	16	14	12	10
40	46	73	116	185	294
30	61	97	155	246	392
20	92	146	232	369	588
15	122	195	309	492	784
10	183	292	464	738	1176
5	366	585	928	1477	2353

Lamp: Integral 2.9W LED Module
(No replacement necessary)

In the interest of product improvement, BEGA reserves the right to make technical changes without notice.