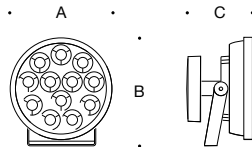


Tools Required:

- 6mm hex head screwdriver

Overview:

LED Watts: 85.0W
 System Watts: 95.0W
 Controllability: DMX and RDM compatible
 Weight: 25.6 lbs.
 Protection Class: IP67



Dimensions

- A:** 14-3/4"
B: 16"
C: 9-1/4"



Notice to Installer:

1. See page 2 for specific product safety warnings.
2. Suitable for operation in ambient temperatures not to exceed 45°C.
3. Floodlight must be connected to a DMX compatible lighting control system, floodlight will not operate otherwise.
4. Installer should be familiar with "Recommended Practice for DMX 512".
5. A terminator must be used at the end of the run between data lines per the "Recommended Practice for DMX 512".
6. It is recommended to avoid running DMX cables in parallel with power cables and dimming cables. Failure to do so could cause interference with DMX controls.
7. *BEGA luminaires may be damaged if connected to conduit systems containing water - Article 300-5g of the National Electric Code requires that "Conduits or raceways through which moisture may contact energized live parts shall be sealed or plugged at either or both ends".*
8. Floodlight is provided with mounting yoke that is compatible with various BEGA mounting accessories, see specification sheet for details.
9. Floodlight is provided with 5ft of shielded 22 AWG, 2 conductor DMX cable, OD .281".
10. Floodlight is provided with 5ft of 18 AWG, 3 conductor SJTOW supply power cable, OD .310".

Figure 1:

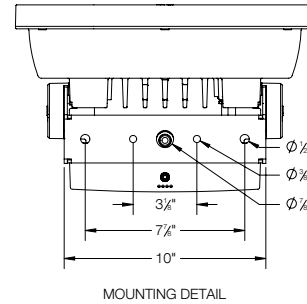


Figure 2:

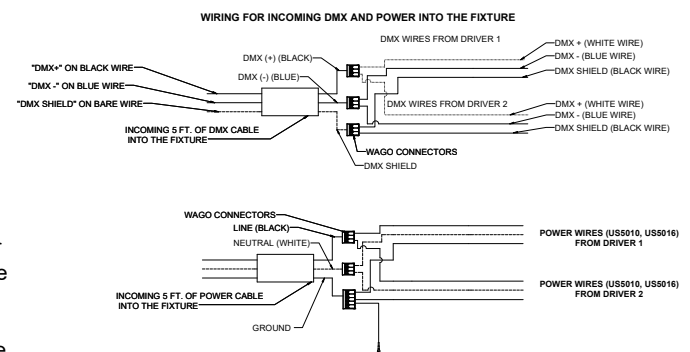
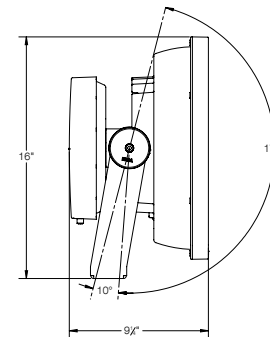


Figure 3:



Luminaire 84550 installation:

1. Install the floodlight using the appropriate BEGA mounting accessory, or mount the stainless steel yoke directly to a surface capable of providing suitable anchorage for the weight of the fixture, using hardware by others. Mounting holes provided with the yoke, see Figure 1.
2. A separate, wet location wiring box must be supplied (by others). A U.L. listed water tight compression fitting must be used to accept the cord from the fixture. See notice to installer steps 9 and 10 for cord information. Note that DMX and supply wiring connections cannot be made in the same compartment and must be separated to prevent interference with the DMX controls.
3. Make DMX cable connections per "Recommended Practice for DMX 512":
 "DMX SHIELD" : BARE WIRE
 "DMX -" [NEGATIVE] : BLUE WIRE
 "DMX +" [POSITIVE] : WHITE WIRE
4. Make supply wiring and cable connections inside junction box:
 MAIN VOLTAGE SUPPLY WIRE TO BLACK LUMINAIRE WIRE;
 NEUTRAL (COMMON) SUPPLY WIRE TO WHITE LUMINAIRE WIRE
 GREEN (GROUND) WIRE TO GREEN LUMINAIRE WIRE
5. Floodlight is vertically adjustable between -10° and +170°. To adjust floodlight aiming angle, loosen (2) 6mm hex head screws on either side of the yoke where it attaches to the floodlight. Aim the floodlight as desired and then tighten the (2) 6mm hex head screws to lock into place.

Luminaire Accessories

Please refer to the appropriate accessory installation sheet for further instruction when applicable.

Concentric ring louver	71 109
180° glare shield	71 110
360° glare shield	79 510

Mounting Accessories

Please refer to the appropriate accessory installation sheet for further instruction when applicable.

Mounting bracket for pole top Ø 3"	79 435
Pole mount hub for pole top Ø 3"	79 555
Pole mount canopy for 5" OD pole	79 553
Pole mount arm for 5" OD pole	79 550
Wall mount canopy	79 554
Wall mount arm	79 551
Pole top for 2 floodlights	70 762
Pole top for 3 floodlights	70 763
Pole top for 4 floodlights	70 764
Cross beam for 3 floodlights	70 761
Cross beam for 6 floodlights	70 765

Maintenance:

Clean regularly with solvent-free cleaner removing dirt and debris. Do not use high pressure cleaners.

Replacement Parts

See label inside of fixture for LED replacement part number.

Consult factory for all other replacement components.

Product Safety Warnings:

**THIS PRODUCT MUST BE INSTALLED IN ACCORDANCE WITH THE APPLICABLE INSTALLATION CODE BY A PERSON FAMILIAR WITH THE CONSTRUCTION AND OPERATION OF THE PRODUCT AND THE HAZARDS INVOLVED. SUITABLE FOR WET LOCATIONS.
MIN 60°C SUPPLY CONDUCTORS.**

**CE PRODUIT DOIT ÊTRE INSTALLÉ SELON LE CODE D'INSTALLATION PERTINENT, PAR UNE PERSONNE QUI CONNAÎT BIEN LE PRODUIT ET SON FONCTIONNEMENT AINSI QUE LES RISQUES INHÉRENTS.
CONVIENT AUX EMPLACEMENTS MOUILLÉS.
LES FILS D'ALIMENTATION 60°C MIN.**