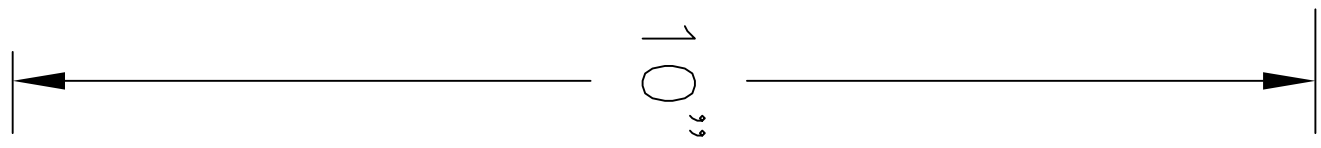
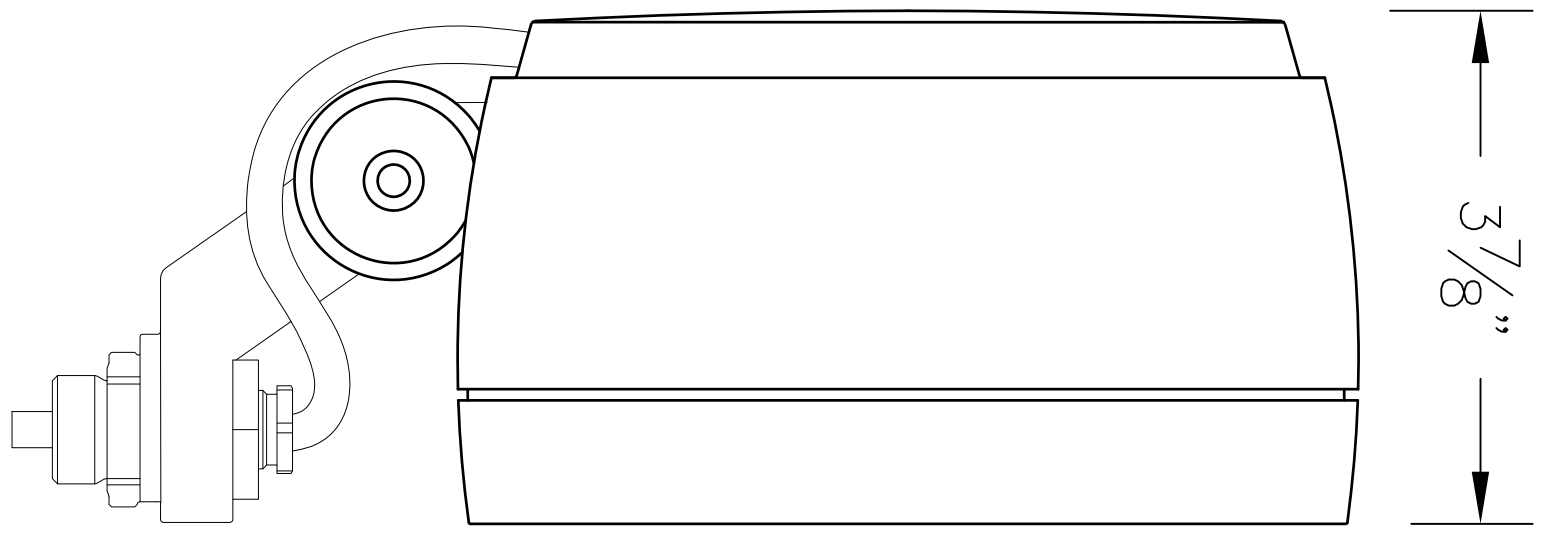
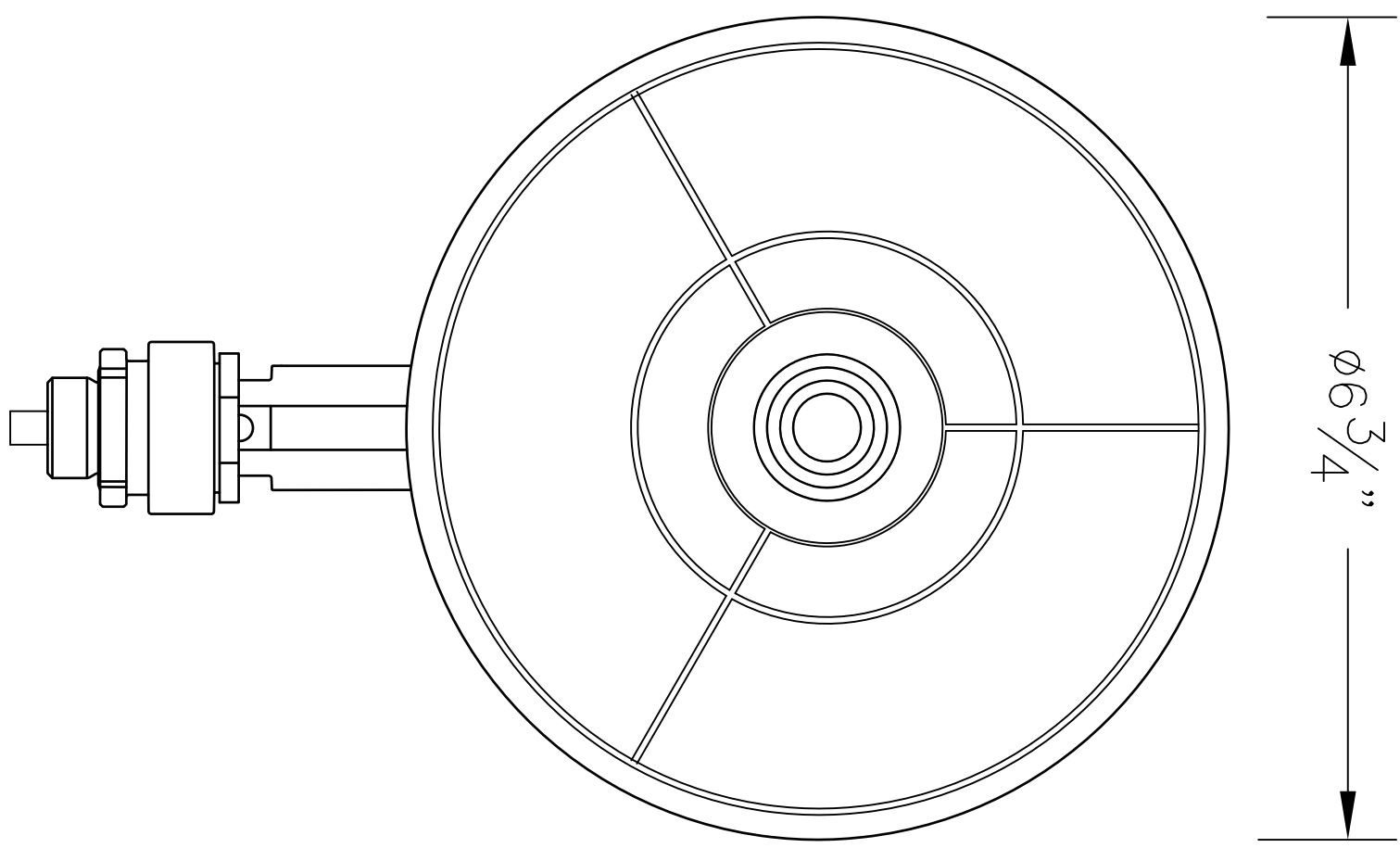


NOTES: LUMINAIRE # 84 526 – SEE SPECIFICATIONS



TYPE: \_\_\_\_\_

<b>SUBMITTAL APPROVAL</b>			CAT NO.: 84 526		<b>BEGA</b>	
			PROJECT: -			
APPROVED BY: _____	LOCATION: -		DRAWN: RA			1000 Bega Way Carpinteria, Ca. 93013 (805) 684-0533
SIGNED: _____	DATE: _____	DATE: 2/12/2018		FILE NAME: 84526.dxf		
REV.	DATE	DESCRIPTION				

This print contains confidential information which is the property of BEGA U.S. By acceptance this information, the borrower agrees that it will not be used for any other purpose other than that which is was loaned.