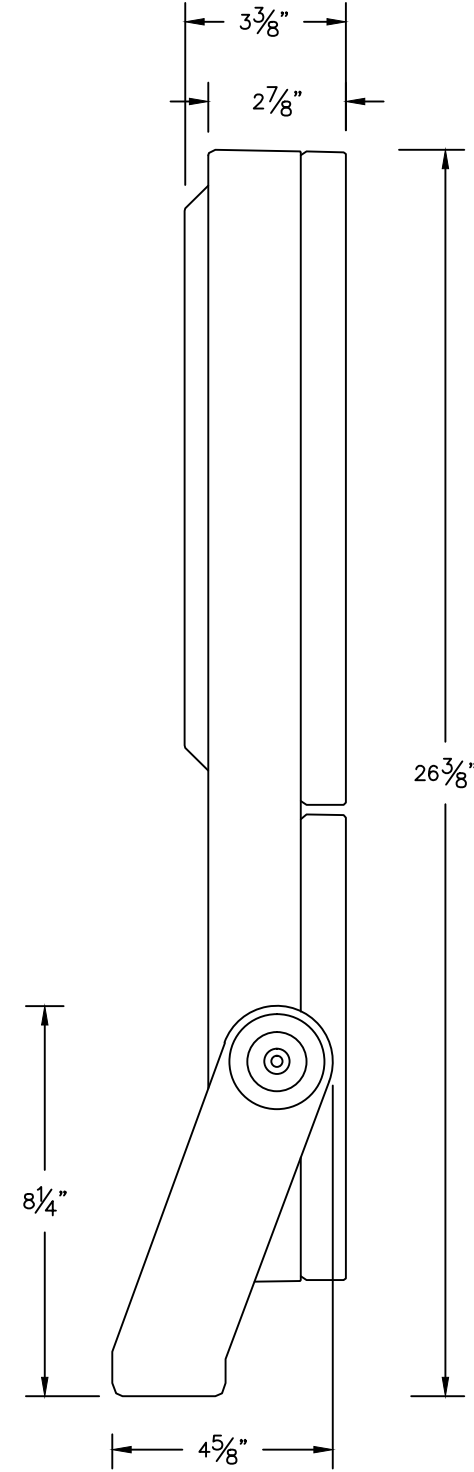
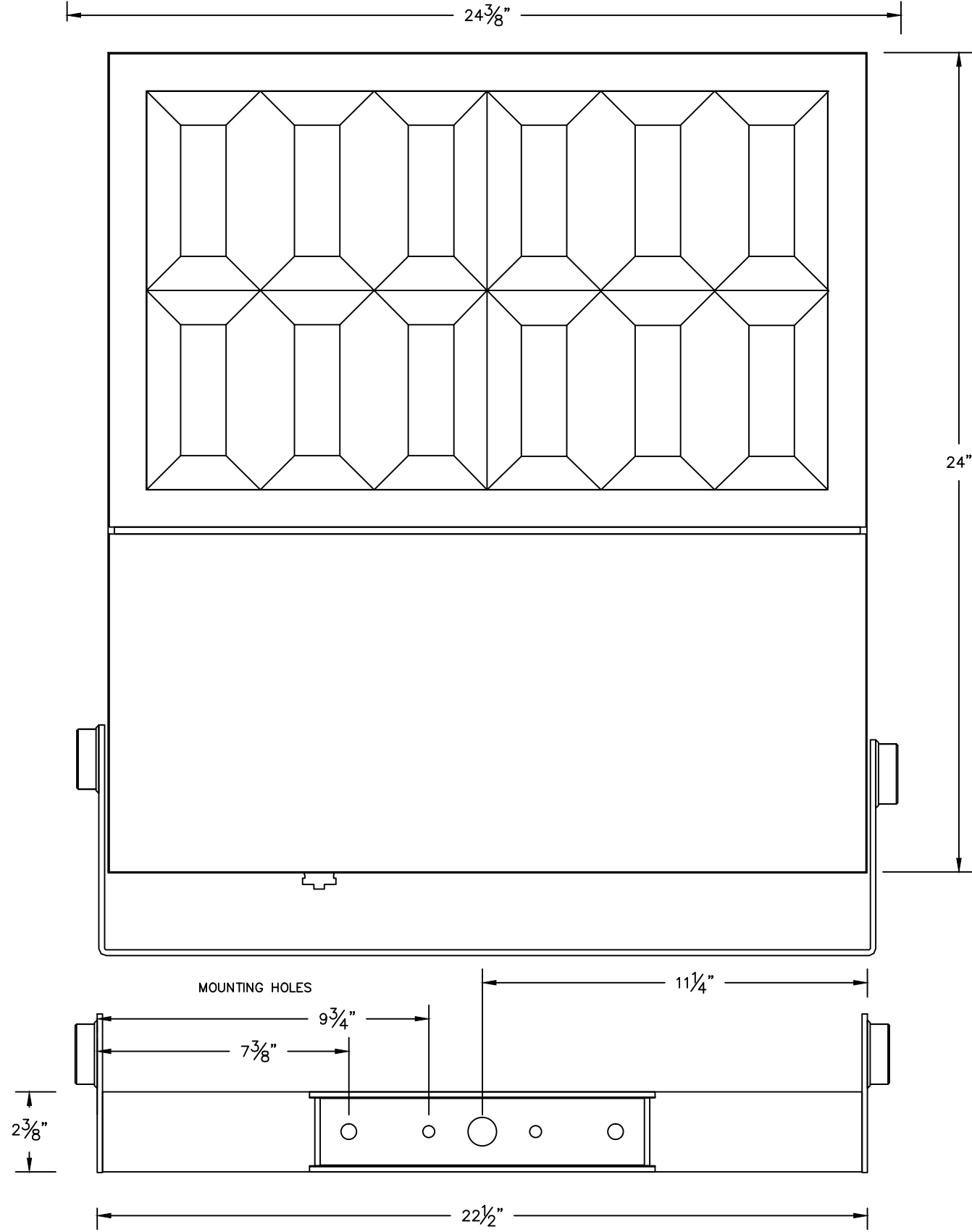


NOTE: FACADE FLOODLIGHT LUMINAIRE # 84 501 – SEE SPECIFICATIONS



TYPE: _____

SUBMITTAL APPROVAL

APPROVED BY: _____ DATE: _____
 SIGNED: _____

REV.	DATE	DESCRIPTION

CAT NO.: 84 501

PROJECT: -

LOCATION: -

DRAWN: AG

DATE: 12/14/2018 FILE NAME: 84501.dxf

BEGA

1000 Bega Way
 Carpinteria, Ca. 93013
 (805) 684-0533