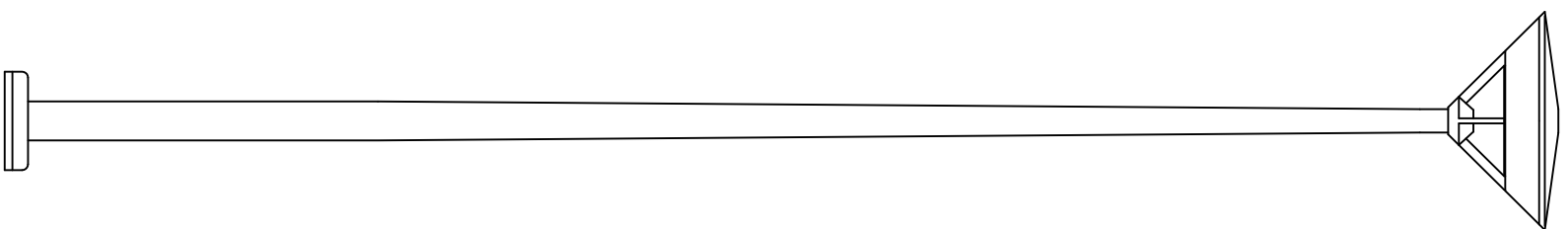
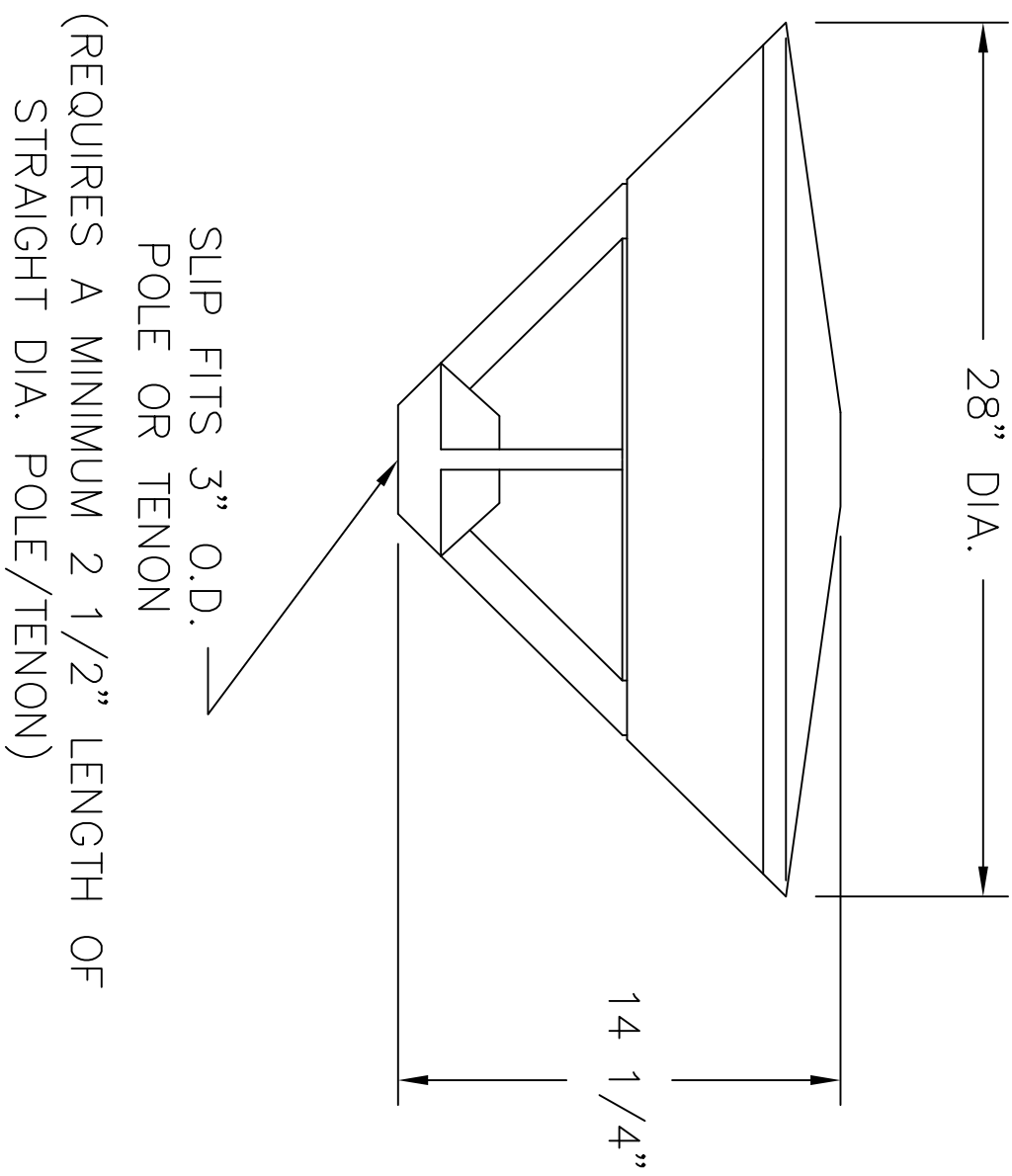


NOTES:

1. LUMINAIRE # 84 402 – SEE SPECIFICATIONS.



SHOWN ON 1508HR

This print contains confidential information which is the property of BEGA/US. By accepting this information, the borrower agrees that it will not be used for any other purpose other than that which is was loaned.

Catalog No.: # 84 402

Description:

Drawn by: Bob Mc Date: 2/16/18 File Name: 84402.DXF

SCALE: NONE – DO NOT SCALE DRAWING

BEGA

1000 Bega Way
Carpinteria, Ca. 93013
(805) 684-0533