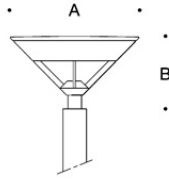


Tools Required:

4mm hex key



Dimensions

A: 28"

B: 14-1/4"



Protection Class: IP65

Weight: 32.2 lbs.

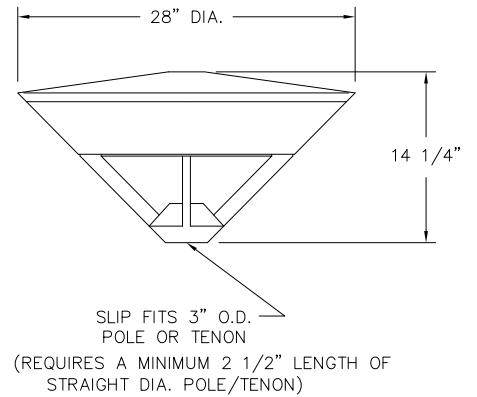
Notice to Installer for 84 402:

1. See page 2 for specific product safety warnings.
2. For pole top applications only.
3. Slip fits 3" O.D. poles only.
4. Requires a MINIMUM 2-1/2" length of straight diameter pole/tenon.
5. LED module and integral driver provided by BEGA.
6. Pole top luminaire supplied with 25 feet of cable to route through pole.
7. Fixture should not be opened during installation.

84 402 - installation:

1. Lead luminaire wires into top of pole and through to the base.
2. Slip luminaire onto top of pole and secure by tightening (4) M8 set screws on pole, evenly.
3. Make supply wiring and luminaire wiring connections inside pole base:
 - MAIN VOLTAGE SUPPLY WIRE TO BLACK LUMINAIRE WIRE
 - NEUTRAL (COMMON) SUPPLY WIRE TO WHITE LUMINAIRE WIRE
 - GREEN GROUND WIRE TO GREEN LUMINAIRE WIRE
- Dimming (if applicable):
 - DIMMING CONTROL WIRE (+) TO POSITIVE LUMINAIRE DIM CONTROL WIRE
 - DIMMING CONTROL WIRE (-) TO NEGATIVE LUMINAIRE DIM CONTROL WIRE

Figure 1



Relamping/Maintenance

No relamping necessary.

Accessories

Please refer to the appropriate accessory installation sheet for further instruction when applicable.

Replacement Parts

Description	Part No
LED Driver (x2)	75985-01
LED Module (3000K) (x6)	LED-0683/830
LED Module (4000K) (x6)	LED-0683/840

Lamp: 47.4W LED Module

Product Safety Warnings:

MIN 60°C SUPPLY CONDUCTORS.

THIS PRODUCT MUST BE INSTALLED IN ACCORDANCE WITH THE APPLICABLE INSTALLATION CODE BY A PERSON FAMILIAR WITH THE CONSTRUCTION AND OPERATION OF THE PRODUCT AND THE HAZARDS INVOLVED.

SUITABLE FOR WET LOCATIONS.

LES FILS D'ALIMENTATION 60°C MIN.

CE PRODUIT DOIT ÊTRE INSTALLÉ SELON LE CODE D'INSTALLATION PERTINENT, PAR UNE PERSONNE QUI CONNAÎT BIEN LE PRODUIT ET SON FONCTIONNEMENT AINSI QUE LES RISQUES INHÉRENTS.

CONVIENT AUX EMPLACEMENTS MOUILLÉS.