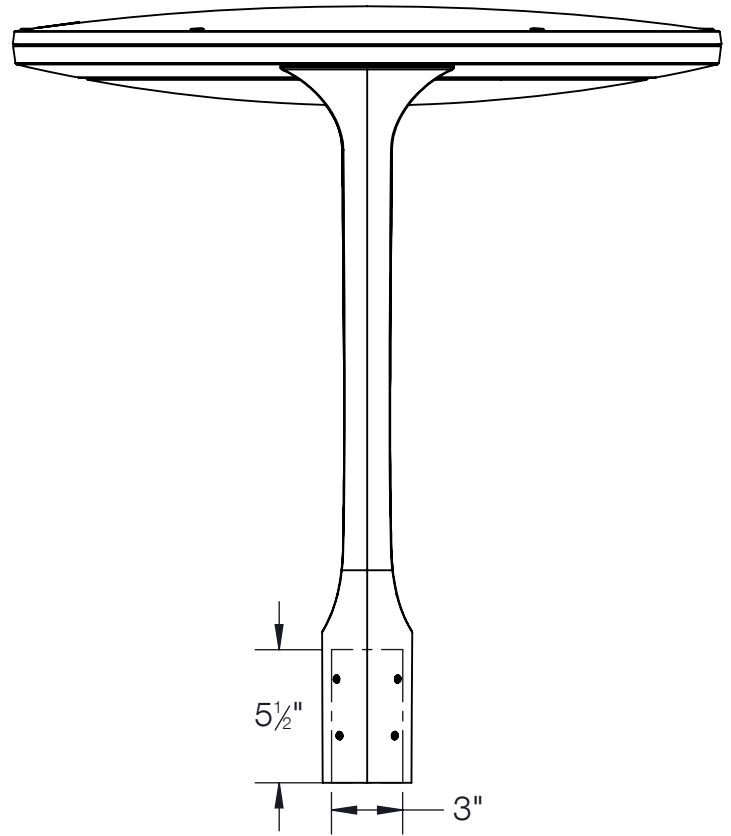
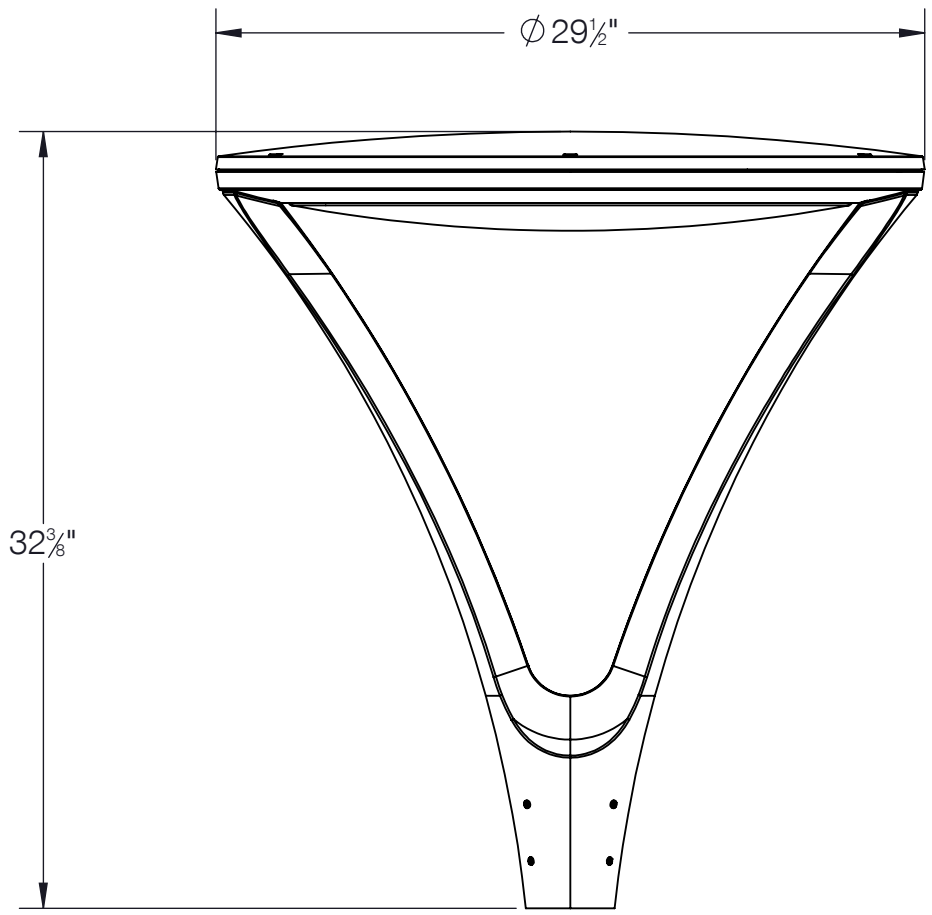
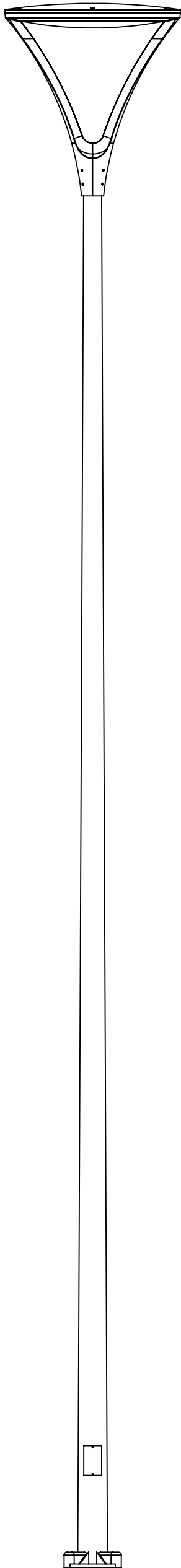


REV	CHANGED BY	DESCRIPTION	DATE



NOTE: TENON OR POLE INSERTION DEPTH OF 5-1/2" REQUIRED FOR PROPER INSTALLATION

SHOWN ON BEGA POLE 20RFTS1 (NOT TO SCALE)

BEGA			
1000 BEGA Way, Carpinteria, California 93013		P (805) 684-0533 - www.bega-us.com	
APPROVED: _____	DATE: _____	DESCRIPTION: POLE-TOP LUMINAIRE ASYMMETRIC	
TYPE: _____		SIZE: B	PART NO.: 84306
PROPRIETARY AND CONFIDENTIAL THE INFORMATION CONTAINED IN THIS DRAWING IS THE SOLE PROPERTY OF BEGA NORTH AMERICA, INC. ANY REPRODUCTION IN PART OR AS A WHOLE WITHOUT THE WRITTEN PERMISSION OF BEGA NORTH AMERICA, INC. IS PROHIBITED.		NOT TO SCALE	REV: -
		7/12/2022	SHEET 1 OF 1