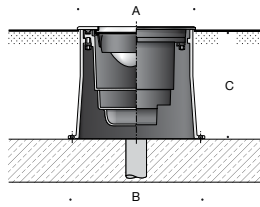


Tools Required:

- 6mm Hex Key

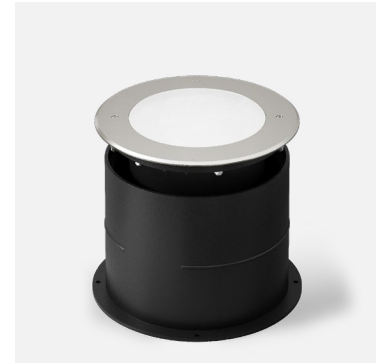
Overview:

LED Watts: 6.6W
 System Watts: 9.0W
 Controllability: 0-10V dimmable down to 1%
 Weight: 24.7 lbs.
 Protection Class: IP68



Dimensions

- A: 13"
- B: 14"
- C: 10"



Notice to Installer:

1. See page 2 for specific product safety warnings.
2. A foundation must accommodate the luminaire's max pressure load of 11,000 lbs. (5,000 kg.). The pressure load transfers to the foundation provided by the customer through the housing.
3. The installation housing must be set in concrete for drive over applications.
4. Aggressive chemicals can compromise the luminaire from the surface and avoid excessive de-icing agents near the luminaire.
5. The luminaire is sealed from the factory; it should only be opened if maintenance is required on the internal electrical components.
6. Do not use power tools to open and close fixture, use hand tools only. Failure to do so can result in incorrect sealing of fixture and void warranty.
7. Do not install luminaire housing in heat-insulating material.
8. At least 6" of drainage must be provided in the foundation to allow surface water to drain from the recessed housing.
9. A customer-provided waterproof wiring box is required to connect the luminaire to the supply power.
10. Luminaire supplied with 7.5 ft. whip exiting the fixture.

Installation: Luminaire Back housing

1. Position back housing on the stable foundation; anchor using hardware (by others). [Figure 1]
2. The finished surface must be level with or below the upper edge of the recessed housing to guarantee a proper seal of the luminaire faceplate. [Figure 1] [Figure 2]

Installation: Luminaire

1. Connect luminaire incoming supply wiring at wiring box:
 MAIN VOLTAGE SUPPLY WIRE TO BLACK WIRE;
 NEUTRAL COMMON SUPPLY WIRE TO WHITE WIRE;
 GREEN GROUND WIRE TO GREEN WIRE;
 Dimming (0-10V):
 DIMMING CONTROL WIRE (+) TO (+) DIM CONTROL WIRE;
 DIMMING CONTROL WIRE (-) TO (-) DIM CONTROL WIRE;
2. Insert the luminaire housing into the outer housing, turn it clockwise min. 10° and align as needed or until it stops.
3. Tighten the screws on luminaire faceplate to secure it in the installation housing (Torque = 16Nm/11.8 ft-lb).

Figure 1: Mounting

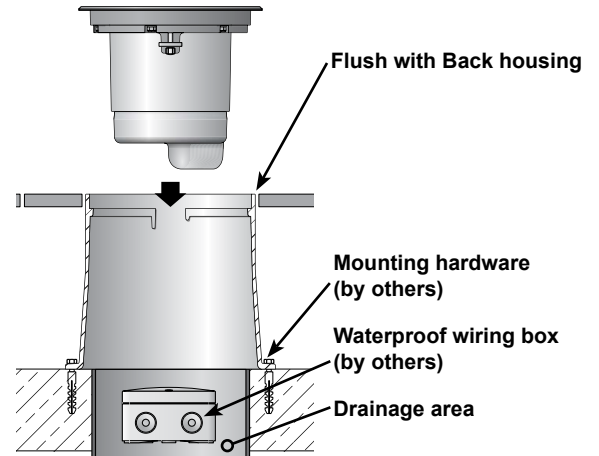
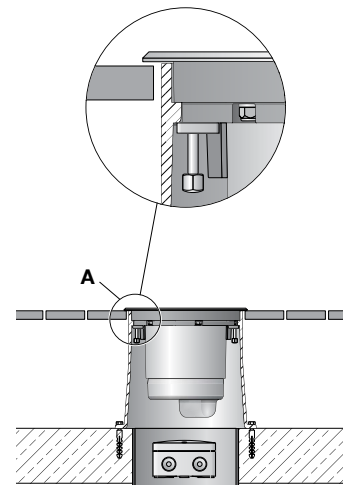


Figure 2: Faceplate Detail



Accessories

Please refer to the appropriate accessory installation sheet for further instruction when applicable.

Maintenance:

Clean regularly with solvent-free cleaner removing dirt and debris. Do not use high pressure cleaners.

Replacement Parts

See label inside of fixture for LED replacement part number.

Consult factory for all other replacement components.

Product Safety Warnings:

THIS PRODUCT MUST BE INSTALLED IN ACCORDANCE WITH THE APPLICABLE INSTALLATION CODE BY A PERSON FAMILIAR WITH THE CONSTRUCTION AND OPERATION OF THE PRODUCT AND THE HAZARDS INVOLVED. SUITABLE FOR WET LOCATIONS. MIN 90°C SUPPLY CONDUCTORS.

CE PRODUIT DOIT ÊTRE INSTALLÉ SELON LE CODE D'INSTALLATION PERTINENT, PAR UNE PERSONNE QUI CONNAÎT BIEN LE PRODUIT ET SON FONCTIONNEMENT AINSI QUE LES RISQUES INHÉRENTS. CONVIENT AUX EMPLACEMENTS MOUILLÉS.

LES FILS D'ALIMENTATION 90°C MIN.