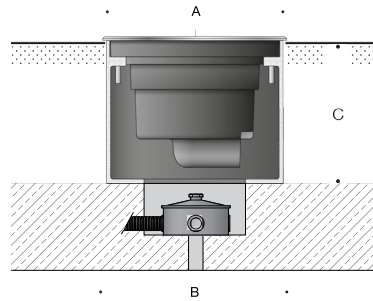


Tools Required:

- 5mm hex head screwdriver

Overview:

LED Watts: 31.4W
 System Watts: 36.0W
 Controllability: 0-10V, TRIAC, and ELV dimmable
 Weight: 16.1 lbs.
 Protection Class: IP68



Dimensions

- A:** 8 5/8"
- B:** 8 3/8"
- C:** 6 3/4"



Notice to Installer:

1. See page 2 for specific product safety warnings.
2. BEGA luminaires may be damaged if connected to conduit systems containing water - Article 300-5G of National Electric Code requires that "Conduits or raceways through which moisture may contact energized live parts shall be sealed or plugged at either or both ends".
3. A separate wiring box suitable for outdoor locations for power supply connections must be provided (by others).
4. Proper drainage MUST be provided. Failure to do so may result in condensation and void warranty.
5. For proper installation, housing and finished surface must be installed so that the top of the housing (bottom of faceplate) sits flush or slightly above the finished surface.
6. For vehicular loads, housing must be anchored to a suitable, load bearing foundation (1-1/2" minimum depth). In all other applications, load bearing foundation should be sufficient to support anticipated load onto fixture (anchors by others).
7. Do not use power tools to open and close fixture, use hand tools only. Failure to do so can result in incorrect sealing of fixture and void warranty.
8. Fixture does not need to be opened for installation.

Figure 1: Installation housing detail

Installation housing BB84287 Installation:

1. Establish location of wiring box, by others. Note that the luminaire is pre-wired with 7.5' of waterproof cable, factory sealed to the luminaire house. Ensure proper drainage is provided. A minimum of 6" of pea gravel is required under wiring box. More gravel may be required in areas that have poor soil drainage and/or are subjected to freeze (Figure 1).
2. Establish foundation for installation housing. A level surface must be provided.
3. Use the (4) mounting holes in the bottom of the installation housing to anchor to the foundation using adequate hardware (by others). Minimum 1/4" anchor bolts are recommended (Figure 2).
4. For concrete installations, pour concrete around installation housing. Ensure that the finished surface is either flush or below the edge of installation housing. Wait for concrete to dry and cure before installing the rest of the luminaire.

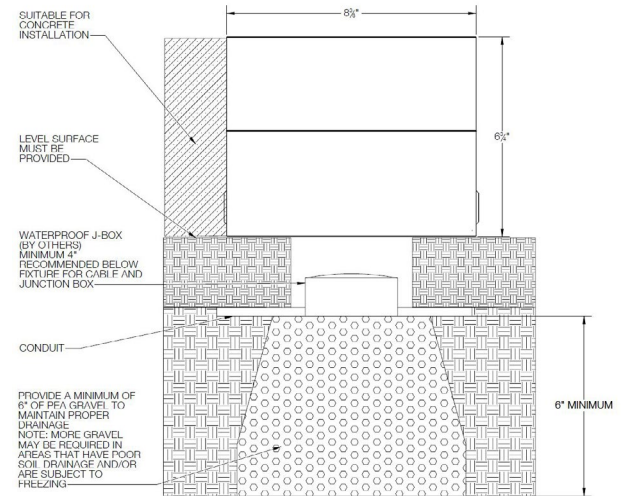
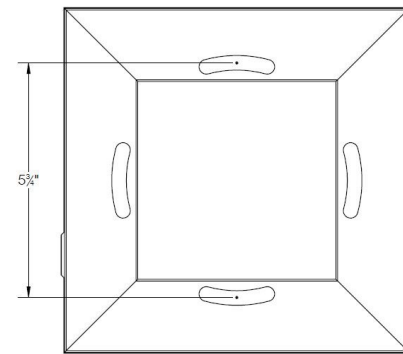


Figure 2: Mounting hole locations

Luminaire 84 287 Installation:

1. Trim screws are zip-tied to the cable, remove bag from cable and set screws aside.
2. Make supply wiring and cable connections inside wiring box using Kit #76 waterproof connector kit (provided)
 - MAIN VOLTAGE SUPPLY WIRE TO BLACK LUMINAIRE WIRE
 - NEUTRAL (COMMON) SUPPLY WIRE TO WHITE LUMINAIRE WIRE
 - GREEN GROUND WIRE TO GREEN LUMINAIRE WIRE
 Dimming (if applicable):
 - DIMMING CONTROL WIRE (+) TO POSITIVE DRIVER DIM CONTROL WIRE
 - DIMMING CONTROL WIRE (-) TO NEGATIVE DRIVER DIM CONTROL WIRE
3. Drop luminaire into installation housing noting the desired orientation.
4. Insert the (2) 5mm screws into luminaire faceplate and tighten to secure the luminaire in the installation housing (Torque = 4.5Nm/3.3 ft-lb).



BOTTOM VIEW

Accessories

Please refer to the appropriate accessory installation sheet for further instruction when applicable.

Maintenance:

Clean regularly with solvent-free cleaner removing dirt and debris. Do not use high pressure cleaners.

Replacement Parts

See label inside of fixture for LED replacement part number.

Consult factory for all other replacement components.

Product Safety Warnings:

THIS PRODUCT MUST BE INSTALLED IN ACCORDANCE WITH THE APPLICABLE INSTALLATION CODE BY A PERSON FAMILIAR WITH THE CONSTRUCTION AND OPERATION OF THE PRODUCT AND THE HAZARDS INVOLVED. SUITABLE FOR WET LOCATIONS. MIN 90°C SUPPLY CONDUCTORS.

CE PRODUIT DOIT ÊTRE INSTALLÉ SELON LE CODE D'INSTALLATION PERTINENT, PAR UNE PERSONNE QUI CONNAÎT BIEN LE PRODUIT ET SON FONCTIONNEMENT AINSI QUE LES RISQUES INHÉRENTS. CONVIENT AUX EMPLACEMENTS MOUILLÉS.

LES FILS D'ALIMENTATION 90°C MIN.