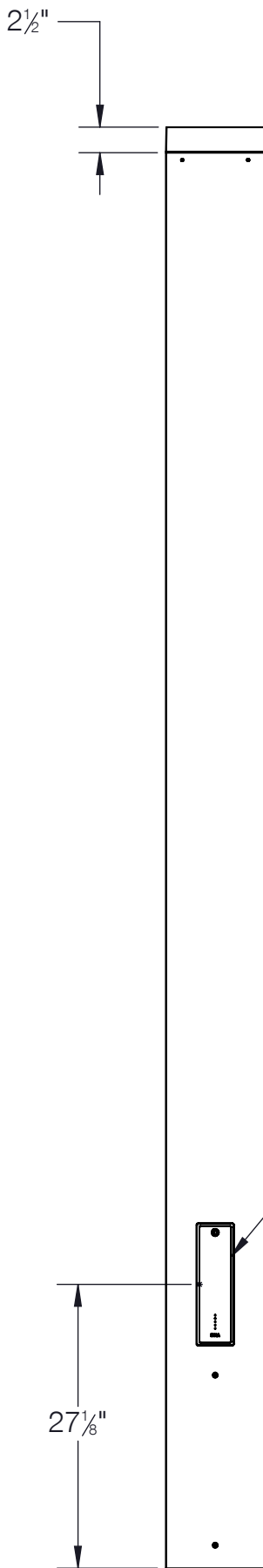


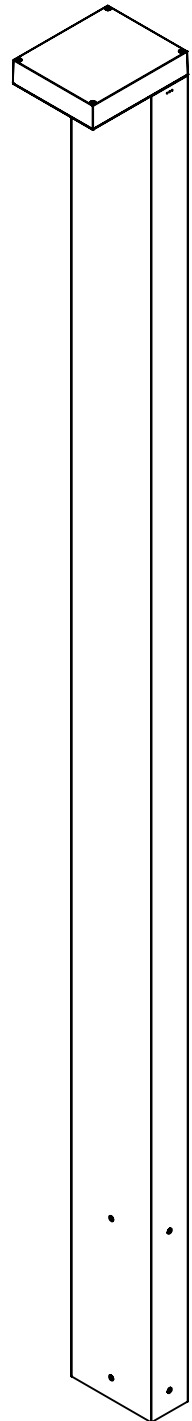
REV	CHANGED BY	DESCRIPTION	DATE



FRONT



BACK

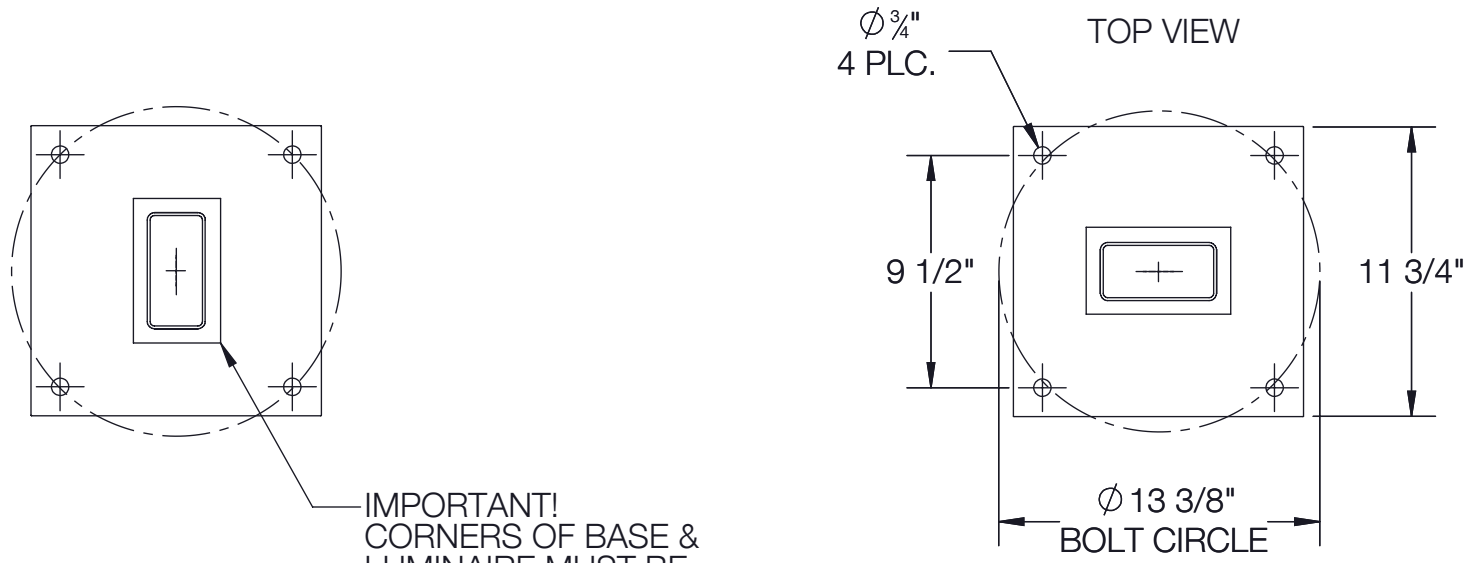


NOTES:

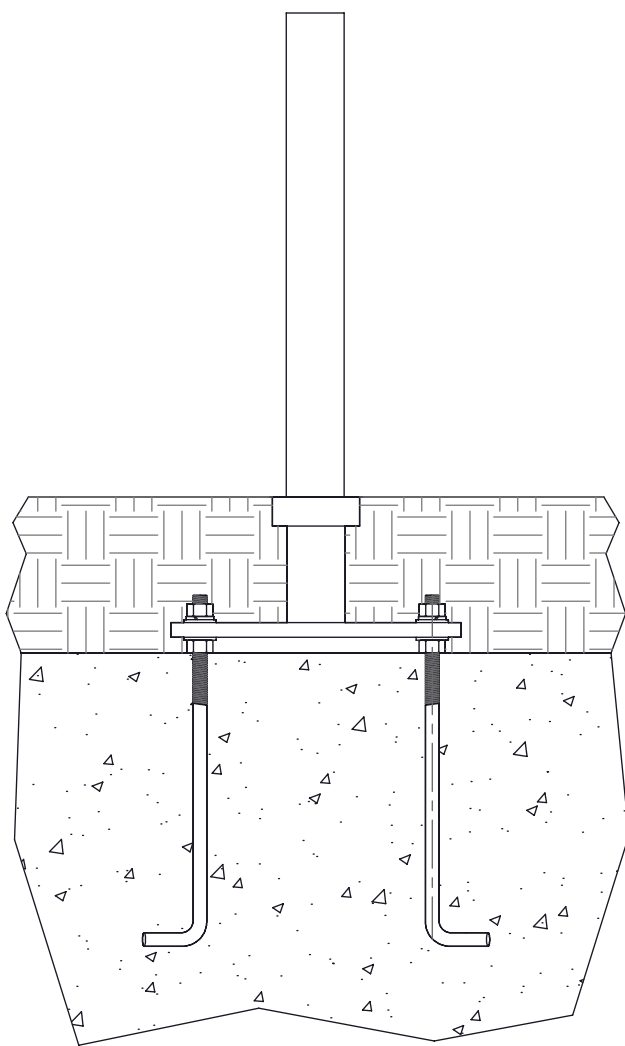
1. INCLUDES 79802 - ANCHOR KIT
2. INCLUDES SPECIAL TOOL FOR ACCESS DOOR
3. INCLUDES KIT 76 - WATERPROOF WIRING CONNECTORS
4. OPTIONAL 71140 - DIRECT BURIAL ANCHOR KIT

BEGA								
1000 BEGA Way, Carpinteria, California 93013		P (805) 684-0533 - www.bega-us.com						
APPROVED: _____	DATE: _____	DESCRIPTION: BUILDING ELEMENT - ASYMMETRIC · SINGLE						
TYPE: _____								
<small>PROPRIETARY AND CONFIDENTIAL</small> <small>THE INFORMATION CONTAINED IN THIS DRAWING IS THE SOLE PROPERTY OF BEGA NORTH AMERICA, INC. ANY REPRODUCTION IN PART OR AS A WHOLE WITHOUT THE WRITTEN PERMISSION OF BEGA NORTH AMERICA, INC. IS PROHIBITED.</small>		<table border="1"> <tr> <td>SIZE</td> <td>PART NO.</td> <td>REV</td> </tr> <tr> <td>B</td> <td>84274</td> <td>-</td> </tr> </table>	SIZE	PART NO.	REV	B	84274	-
SIZE	PART NO.	REV						
B	84274	-						
NOT TO SCALE		2/28/2022 SHEET 1 OF 3						

REV	CHANGED BY	DESCRIPTION	DATE



IMPORTANT!
CORNERS OF BASE &
LUMINAIRE MUST BE
ALIGNED IN DESIRED
LOCATION &
ORIENTATION. SEE DETAIL.



THIS SURFACE MUST
BE FLUSH TO
FINISHED GRADE

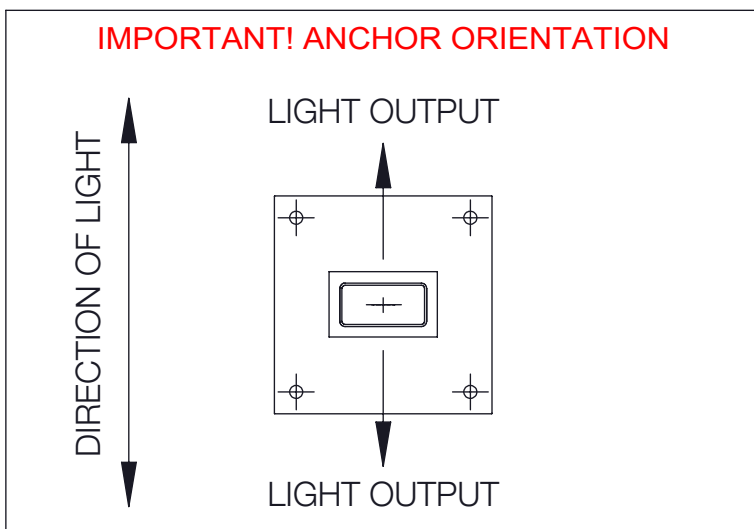
FINISHED GRADE

CONCRETE
FOOTING

25 3/8"

5 3/4"

(4) 5/8" X 14" X 2" 'L'
ANCHOR BOLTS WITH
LEVELING WASHERS,
LOCK WASHERS, AND
HEX NUTS



BEGA

1000 BEGA Way, Carpinteria, California 93013

P (805) 684-0533 - www.bega-us.com

APPROVED: _____ DATE: _____

DESCRIPTION:

TYPE: _____

ANCHOR KIT - INCLUDED

PROPRIETARY AND CONFIDENTIAL

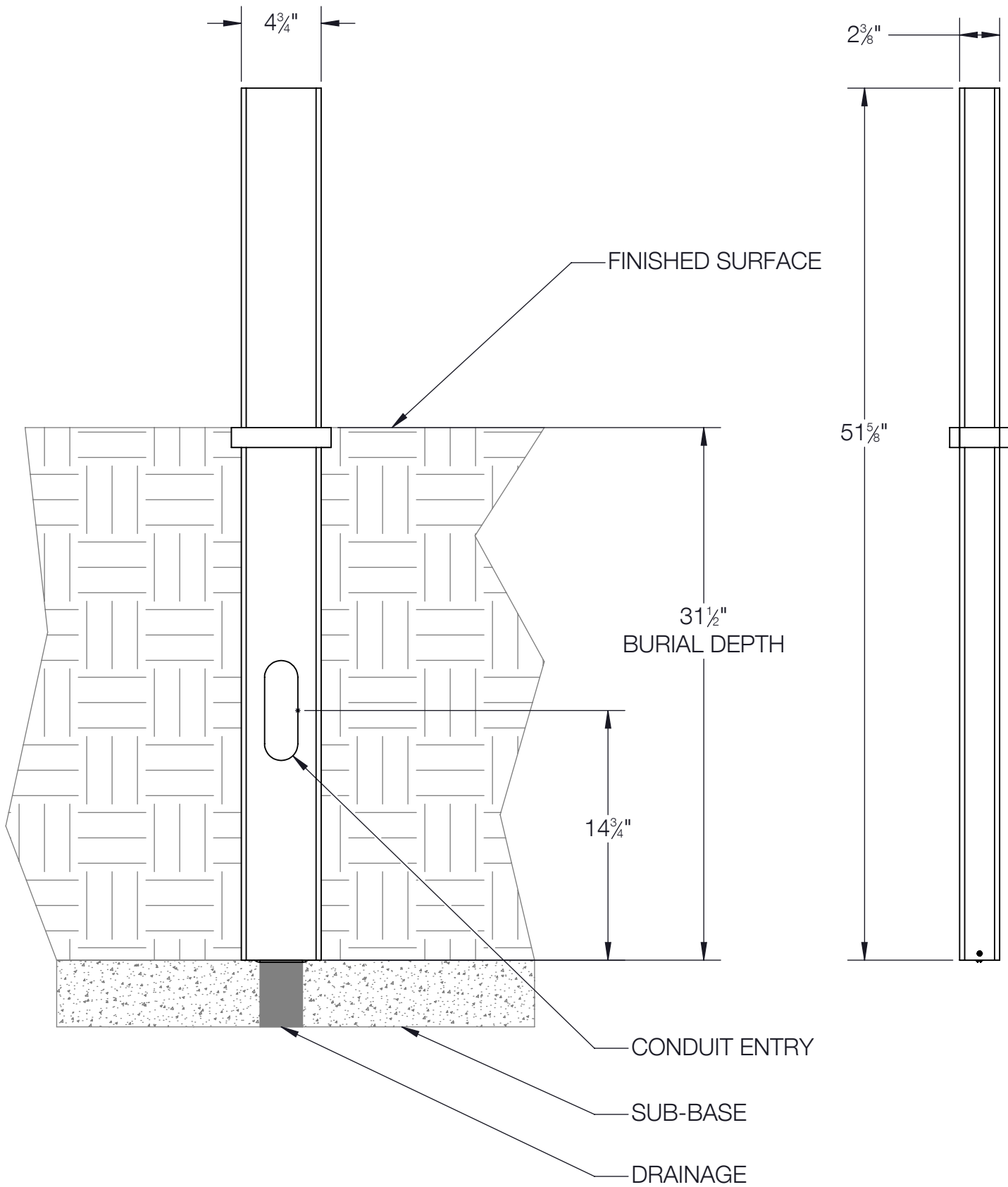
THE INFORMATION CONTAINED IN THIS DRAWING IS THE SOLE PROPERTY
OF BEGA NORTH AMERICA, INC.
ANY REPRODUCTION IN PART OR AS A WHOLE WITHOUT THE WRITTEN
PERMISSION OF BEGA NORTH AMERICA, INC. IS PROHIBITED.

SIZE PART NO. REV

B 79802 -

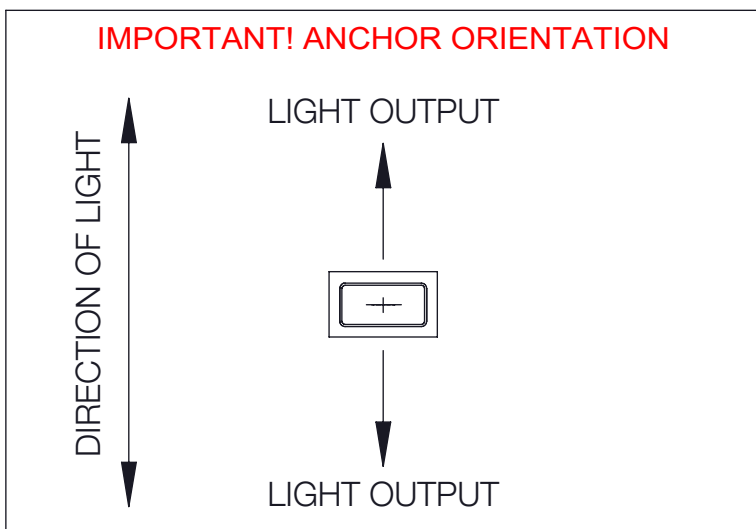
NOT TO SCALE 2/28/2022 SHEET 2 OF 3

REV	CHANGED BY	DESCRIPTION	DATE



NOTES:

1. OPTIONAL DIRECT BURIAL ANCHORAGE
2. INCLUDES ANCHOR PLATE FOR STABILITY DURING INSTALLATION.



BEGA		1000 BEGA Way, Carpinteria, California 93013		P (805) 684-0533 - www.bega-us.com	
APPROVED: _____ DATE: _____		DESCRIPTION: ANCHOR KIT - OPTIONAL DIRECT BURIAL			
TYPE: _____		SIZE	PART NO.	REV	
PROPRIETARY AND CONFIDENTIAL		B	71140	-	
THE INFORMATION CONTAINED IN THIS DRAWING IS THE SOLE PROPERTY OF BEGA NORTH AMERICA, INC. ANY REPRODUCTION IN PART OR AS A WHOLE WITHOUT THE WRITTEN PERMISSION OF BEGA NORTH AMERICA, INC. IS PROHIBITED.		NOT TO SCALE	2/28/2022	SHEET 3 OF 3	