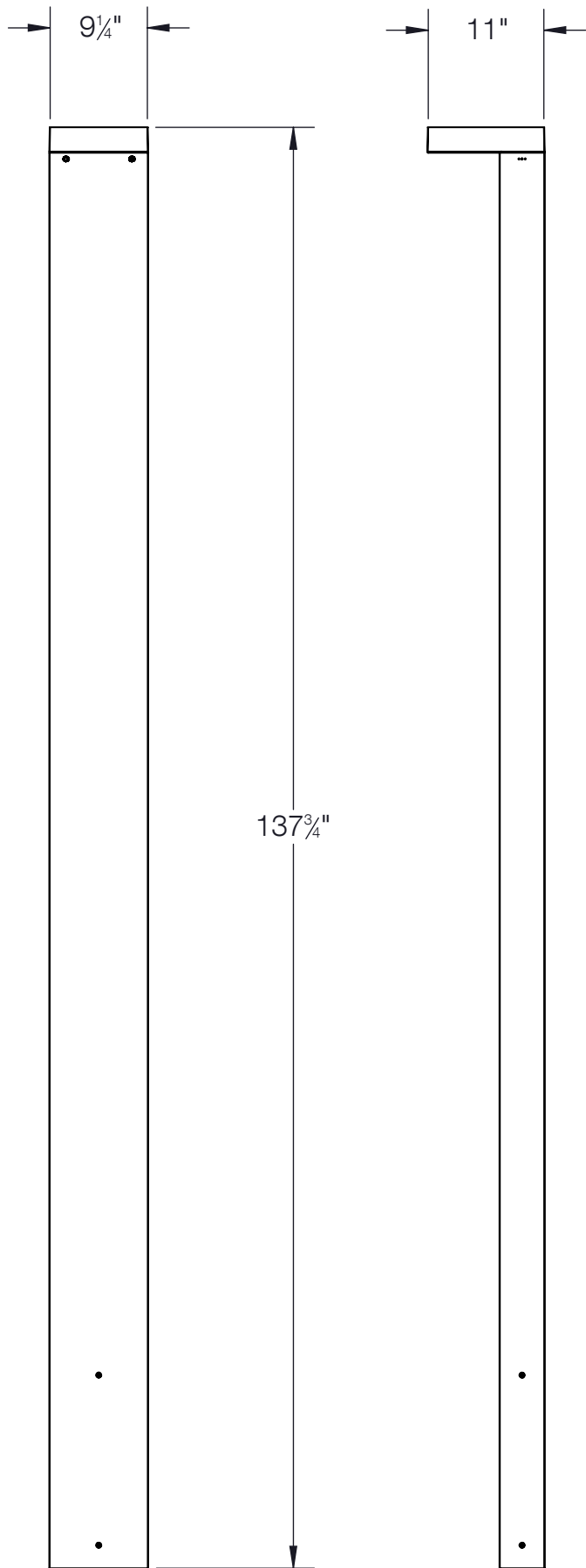
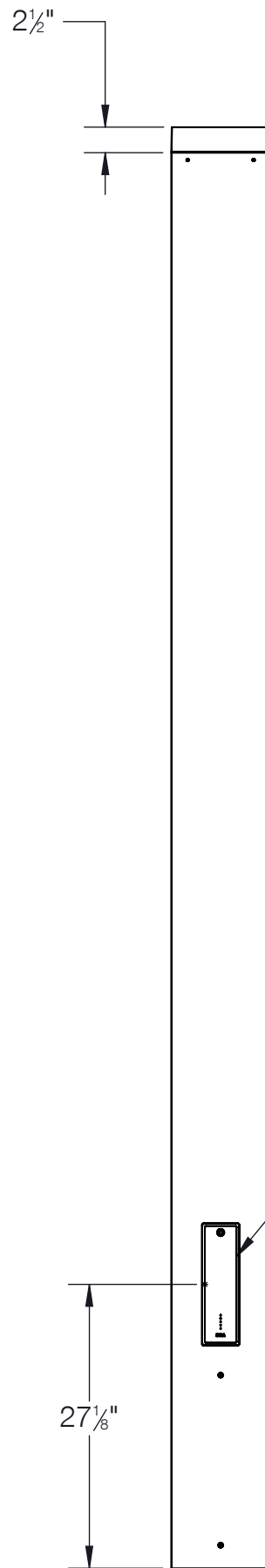


REV	CHANGED BY	DESCRIPTION	DATE

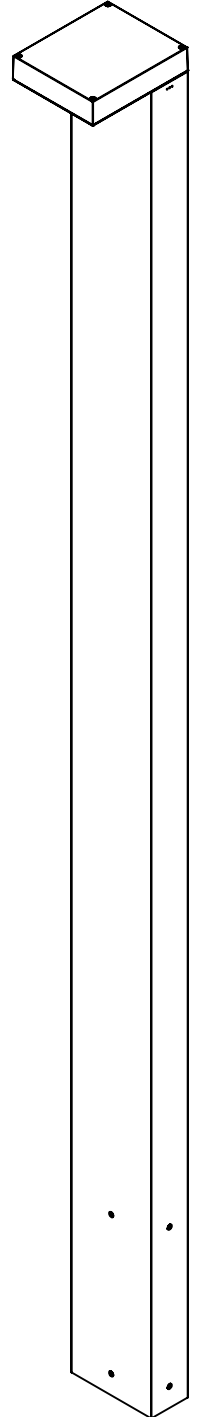


FRONT



BACK

ACCESS
DOOR



NOTES:

1. INCLUDES 79802 - ANCHOR KIT
2. INCLUDES SPECIAL TOOL FOR ACCESS DOOR
3. INCLUDES KIT 76 - WATERPROOF WIRING CONNECTORS
4. OPTIONAL 71140 - DIRECT BURIAL ANCHOR KIT

BEGA

1000 BEGA Way, Carpinteria, California 93013

P (805) 684-0533 - www.bega-us.com

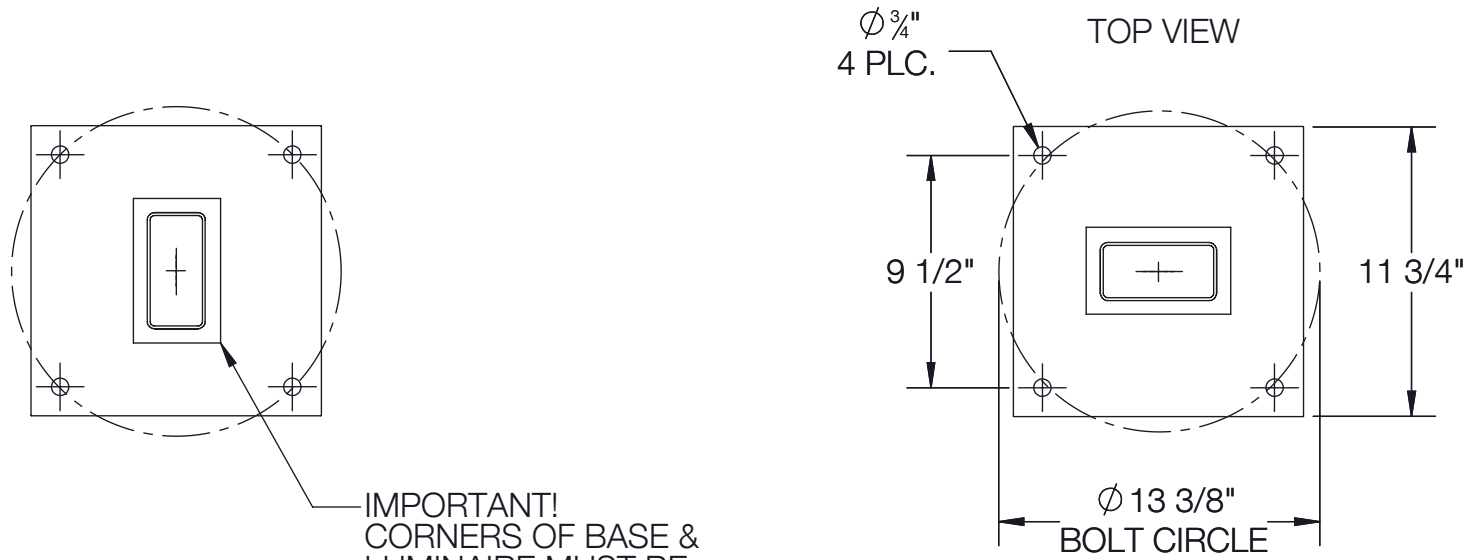
APPROVED: _____ DATE: _____
TYPE: _____

DESCRIPTION: BUILDING ELEMENT -
ASYMMETRIC WIDE BEAM · SINGLE

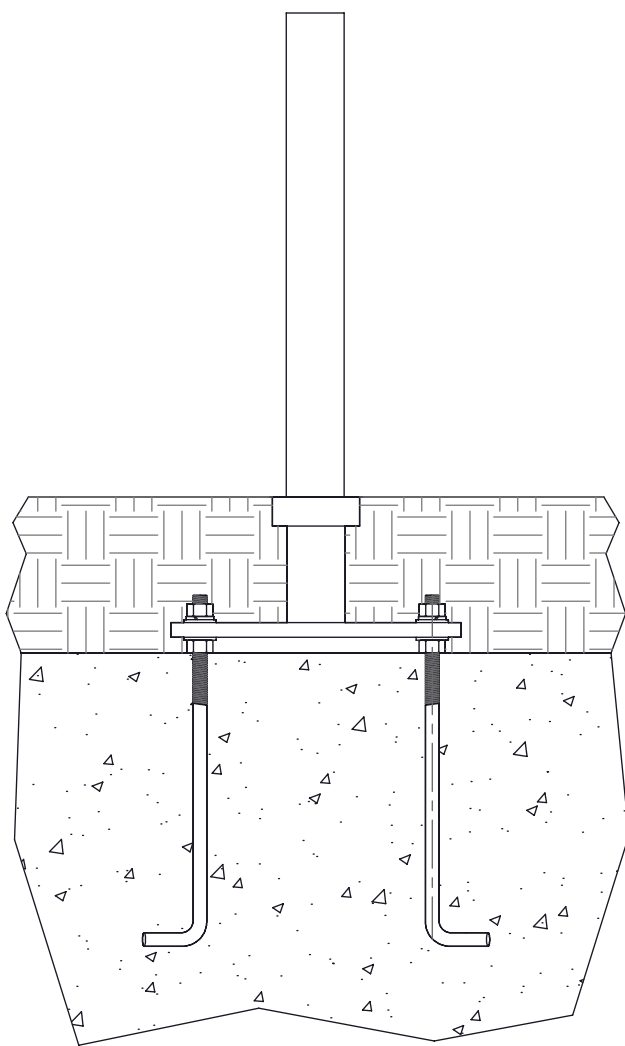
PROPRIETARY AND CONFIDENTIAL
THE INFORMATION CONTAINED IN THIS DRAWING IS THE SOLE PROPERTY
OF BEGA NORTH AMERICA, INC.
ANY REPRODUCTION IN PART OR AS A WHOLE WITHOUT THE WRITTEN
PERMISSION OF BEGA NORTH AMERICA, INC. IS PROHIBITED.

SIZE	PART NO.	REV
B	84273	-
NOT TO SCALE	3/1/2022	SHEET 1 OF 3

REV	CHANGED BY	DESCRIPTION	DATE



IMPORTANT!
CORNERS OF BASE &
LUMINAIRE MUST BE
ALIGNED IN DESIRED
LOCATION &
ORIENTATION. SEE DETAIL.



THIS SURFACE MUST
BE FLUSH TO
FINISHED GRADE

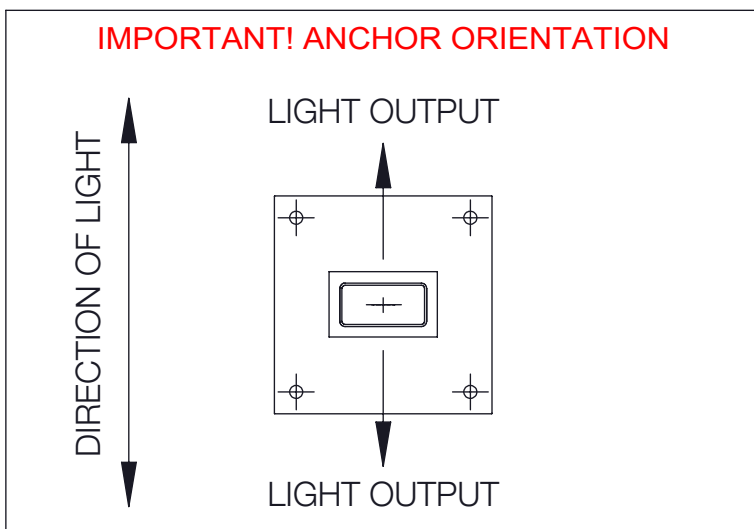
FINISHED GRADE

CONCRETE
FOOTING

(4) 5/8" X 14" X 2" 'L'
ANCHOR BOLTS WITH
LEVELING WASHERS,
LOCK WASHERS, AND
HEX NUTS

25 3/8"

5 3/4"



BEGA

1000 BEGA Way, Carpinteria, California 93013

P (805) 684-0533 - www.bega-us.com

APPROVED: _____ DATE: _____

DESCRIPTION:
ANCHOR KIT - INCLUDED

TYPE: _____

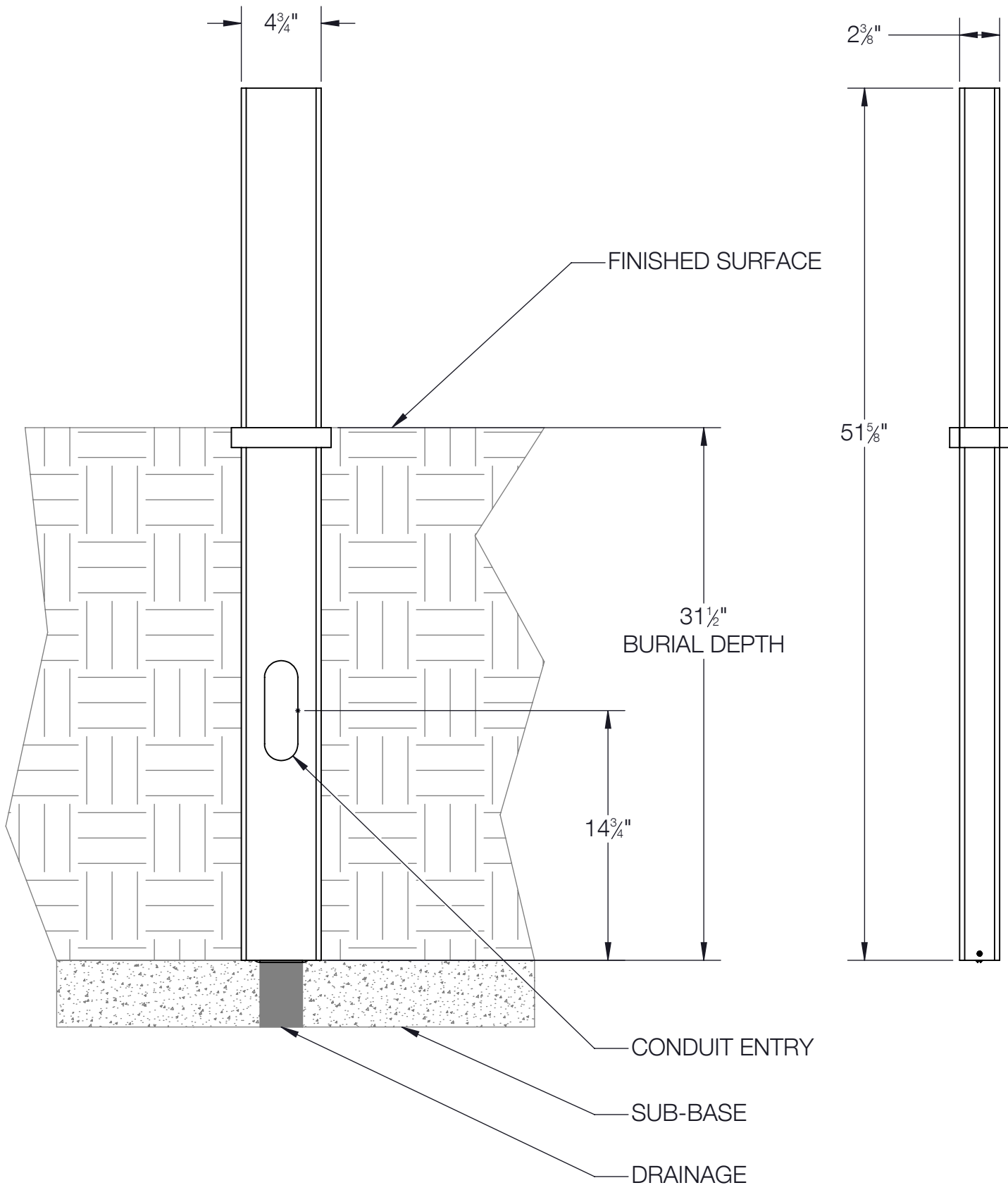
PROPRIETARY AND CONFIDENTIAL

THE INFORMATION CONTAINED IN THIS DRAWING IS THE SOLE PROPERTY
OF BEGA NORTH AMERICA, INC.
ANY REPRODUCTION IN PART OR AS A WHOLE WITHOUT THE WRITTEN
PERMISSION OF BEGA NORTH AMERICA, INC. IS PROHIBITED.

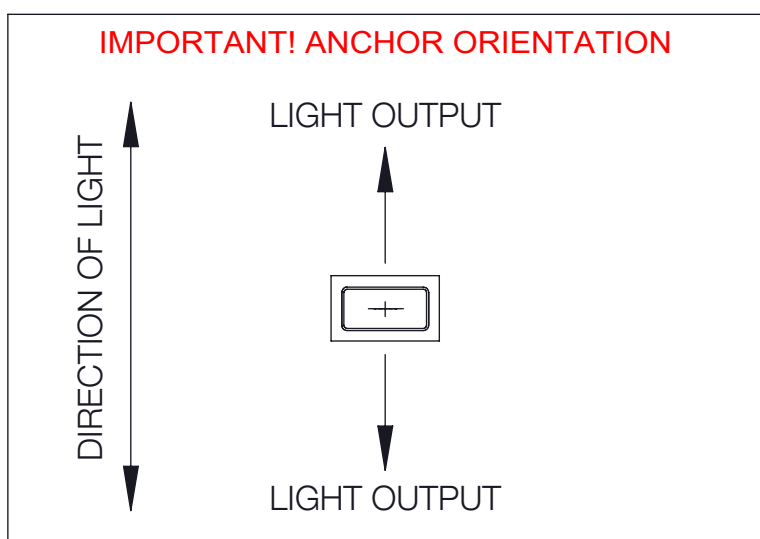
SIZE	PART NO.	REV
B	79802	-

NOT TO SCALE | 2/28/2022 | SHEET 2 OF 3

REV	CHANGED BY	DESCRIPTION	DATE



- NOTES:
1. OPTIONAL DIRECT BURIAL ANCHORAGE
 2. INCLUDES ANCHOR PLATE FOR STABILITY DURING INSTALLATION.



BEGA		1000 BEGA Way, Carpinteria, California 93013		P (805) 684-0533 - www.bega-us.com	
APPROVED: _____ DATE: _____		DESCRIPTION: ANCHOR KIT - OPTIONAL DIRECT BURIAL			
TYPE: _____		SIZE	PART NO.	REV	
PROPRIETARY AND CONFIDENTIAL THE INFORMATION CONTAINED IN THIS DRAWING IS THE SOLE PROPERTY OF BEGA NORTH AMERICA, INC. ANY REPRODUCTION IN PART OR AS A WHOLE WITHOUT THE WRITTEN PERMISSION OF BEGA NORTH AMERICA, INC. IS PROHIBITED.		B	71140	-	
NOT TO SCALE		2/28/2022	SHEET 3 OF 3		