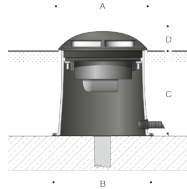


Tools Required:

- 5mm hex head screwdriver

Overview:

LED Watts: 20.0W
 System Watts: 23.0W
 Controllability: 0-10V dimmable
 Weight: 13.0 lbs.
 Protection Class: IP67



Dimensions

- A:** 9-1/2"
- B:** 10-7/8"
- C:** 9"
- D:** 2"



Notice to Installer:

1. **BEGA luminaires may be damaged if connected to conduit systems containing water - Article 300-5G of National Electric Code requires that "Conduits or raceways through which moisture may contact energized live parts shall be sealed or plugged at either or both ends".**
2. A separate wiring box suitable for outdoor locations for power supply connections must be provided (by others).
3. Proper drainage **MUST** be provided. Failure to do so may result in condensation and void warranty.
4. For proper installation, housing and finished surface must be installed so that the top of the housing (bottom of faceplate) sits flush or slightly above the finished surface.
5. For vehicular loads, housing must be anchored to a suitable, load bearing foundation. In all other applications, load bearing foundation should be sufficient to support anticipated load onto fixture.
6. Do not use power tools to open, close or install fixture. Use hand tools only. Failure to do so can result in incorrect sealing of fixture and void warranty.
7. Fixture does not need to be opened for installation.

Luminaire 84 271 Installation:

1. Establish location of wiring box, by others. Note that the luminaire is pre-wired with 7.5' of waterproof cable, factory sealed to the luminaire house. Ensure proper drainage is provided. A minimum of 6" of pea gravel is required under wiring box. More gravel may be required in areas that have poor soil drainage and/or are subjected to freeze. See Figure 1.
2. Establish foundation for installation housing. A level surface must be provided. Anchor installation housing in place using hardware (by others) as needed. Minimum 1/4" anchor bolts are recommended.
3. Note location of notches in installation housing and align per desired screw orientation as shown in Figure 2. Note screw orientation does not effect performance and is for aesthetic purposes only.
4. For concrete installations, pour concrete around installation housing. Ensure that the finished surface is either flush or below the edge of installation housing. Wait for concrete to dry and cure before installing the rest of the luminaire.
5. Make supply wiring and cable connections inside wiring box using Kit #76 waterproof connector kit (provided):

MAIN VOLTAGE SUPPLY WIRE TO BLACK LUMINAIRE WIRE
 NEUTRAL (COMMON) SUPPLY WIRE TO WHITE LUMINAIRE WIRE
 GREEN GROUND WIRE TO GREEN LUMINAIRE WIRE

0-10V Dimming (if applicable):

DIMMING CONTROL WIRE (+) TO POSITIVE DRIVER DIM CONTROL WIRE
 DIMMING CONTROL WIRE (-) TO NEGATIVE DRIVER DIM CONTROL WIRE

OPTIONAL DALI-2 WIRING (if applicable):

DALI CONTROL WIRE (+) TO PURPLE DRIVER DALI CONTROL WIRE
 DALI CONTROL WIRE (-) TO GREY DRIVER DALI CONTROL WIRE

6. Ensure mounting clips are loosened for installation. Use a 5mm hex head screwdriver to loosen (5) 5mm hex head screws and clips as needed.
7. Insert luminaire into installation housing by aligning mounting clip screws with the notches in the installation housing. Rotate fixture clockwise 90° until it stops or desired orientation is reached.
8. Tighten (2) 5mm hex head screws to engage clamps to lock into place.

Figure 1:

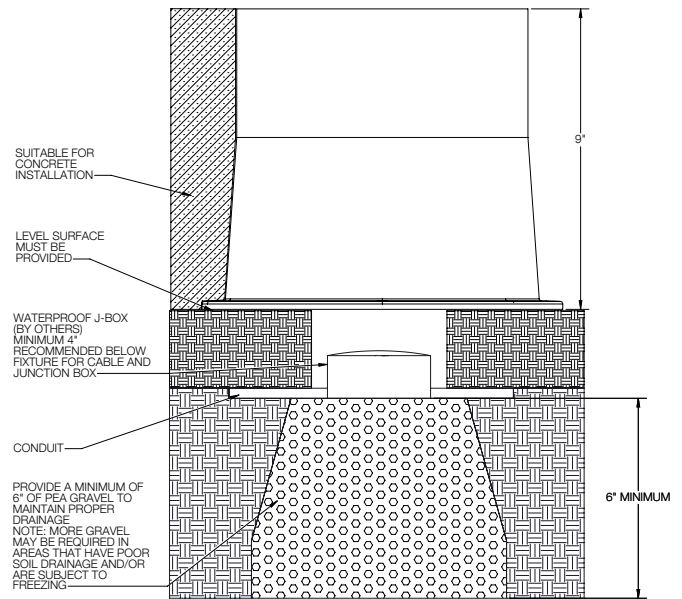
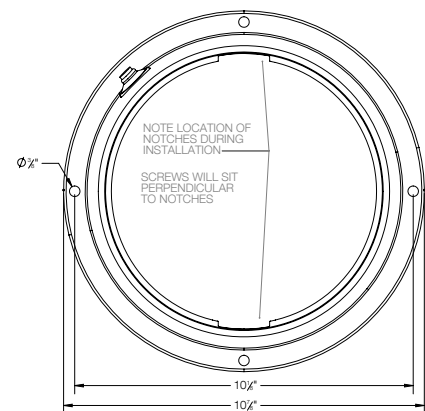


Figure 2:



Accessories

Please refer to the appropriate accessory installation sheet for further instruction when applicable.

Maintenance:

Clean regularly with solvent-free cleaner removing dirt and debris. Do not use high pressure cleaners.

Replacement Parts

See label inside of fixture for LED replacement part number.

Consult factory for all other replacement components.

Product Safety Warnings:

THIS PRODUCT MUST BE INSTALLED IN ACCORDANCE WITH THE APPLICABLE INSTALLATION CODE BY A PERSON FAMILIAR WITH THE CONSTRUCTION AND OPERATION OF THE PRODUCT AND THE HAZARDS INVOLVED. SUITABLE FOR WET LOCATIONS. SUITABLE FOR USE IN POURED CONCRETE CONSTRUCTION. MIN 60°C SUPPLY CONDUCTORS.

CE PRODUIT DOIT ÊTRE INSTALLÉ SELON LE CODE D'INSTALLATION PERTINENT, PAR UNE PERSONNE QUI CONNAÎT BIEN LE PRODUIT ET SON FONCTIONNEMENT AINSI QUE LES RISQUES INHÉRENTS. CONVIENT AUX EMPLACEMENTS MOUILLÉS. PEUT ÊTRE UTILISÉ DANS LE BÉTON COULÉ. LES FILS D'ALIMENTATION 60°C MIN.