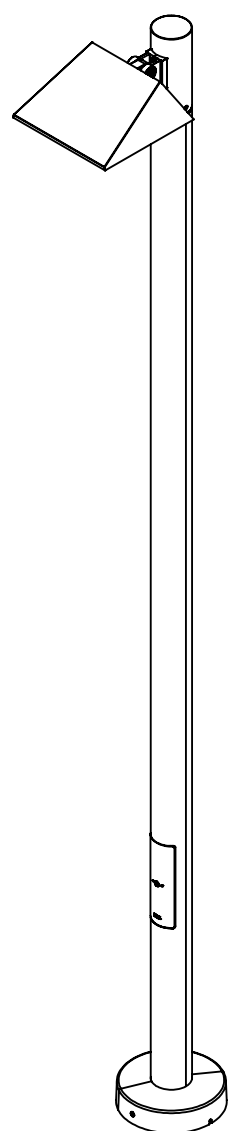
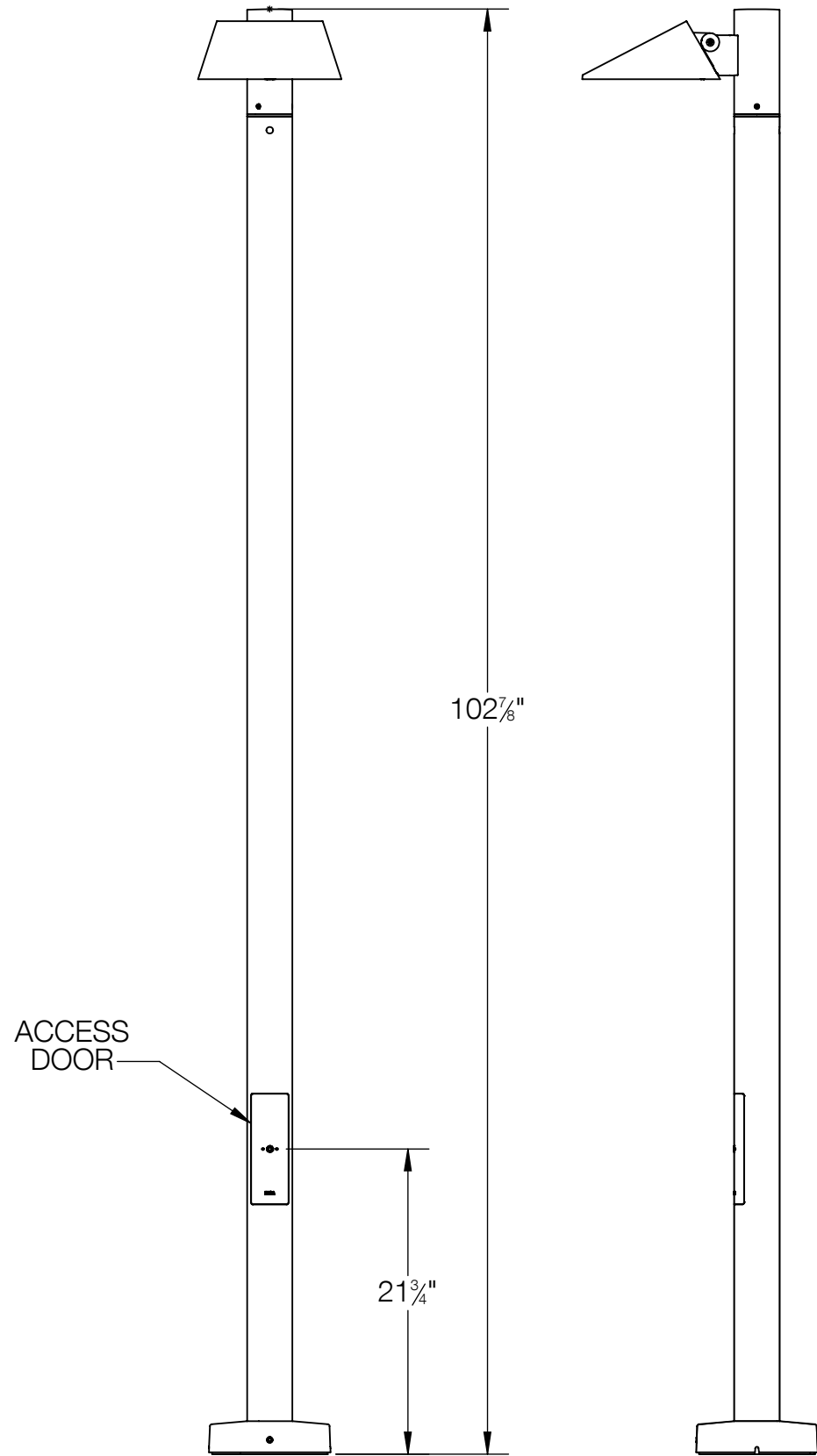
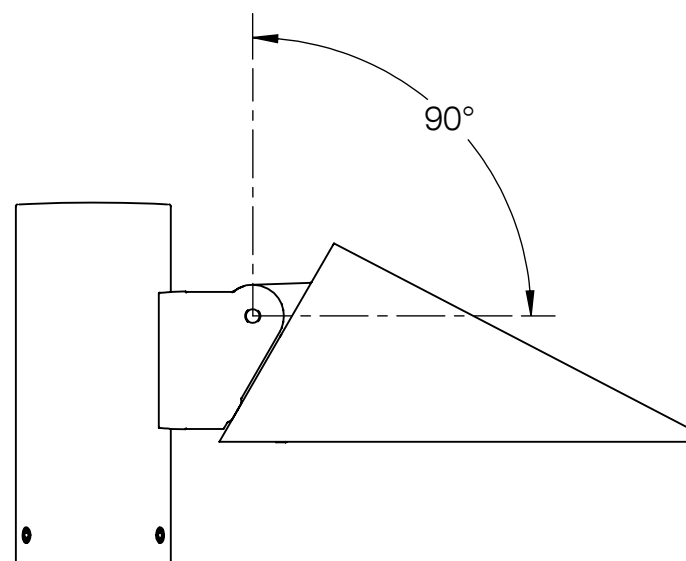
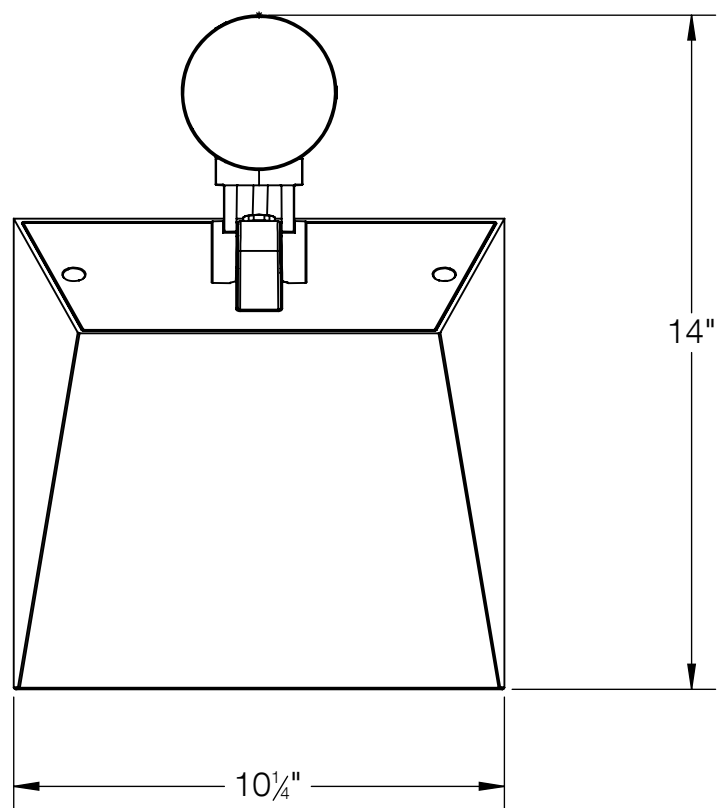


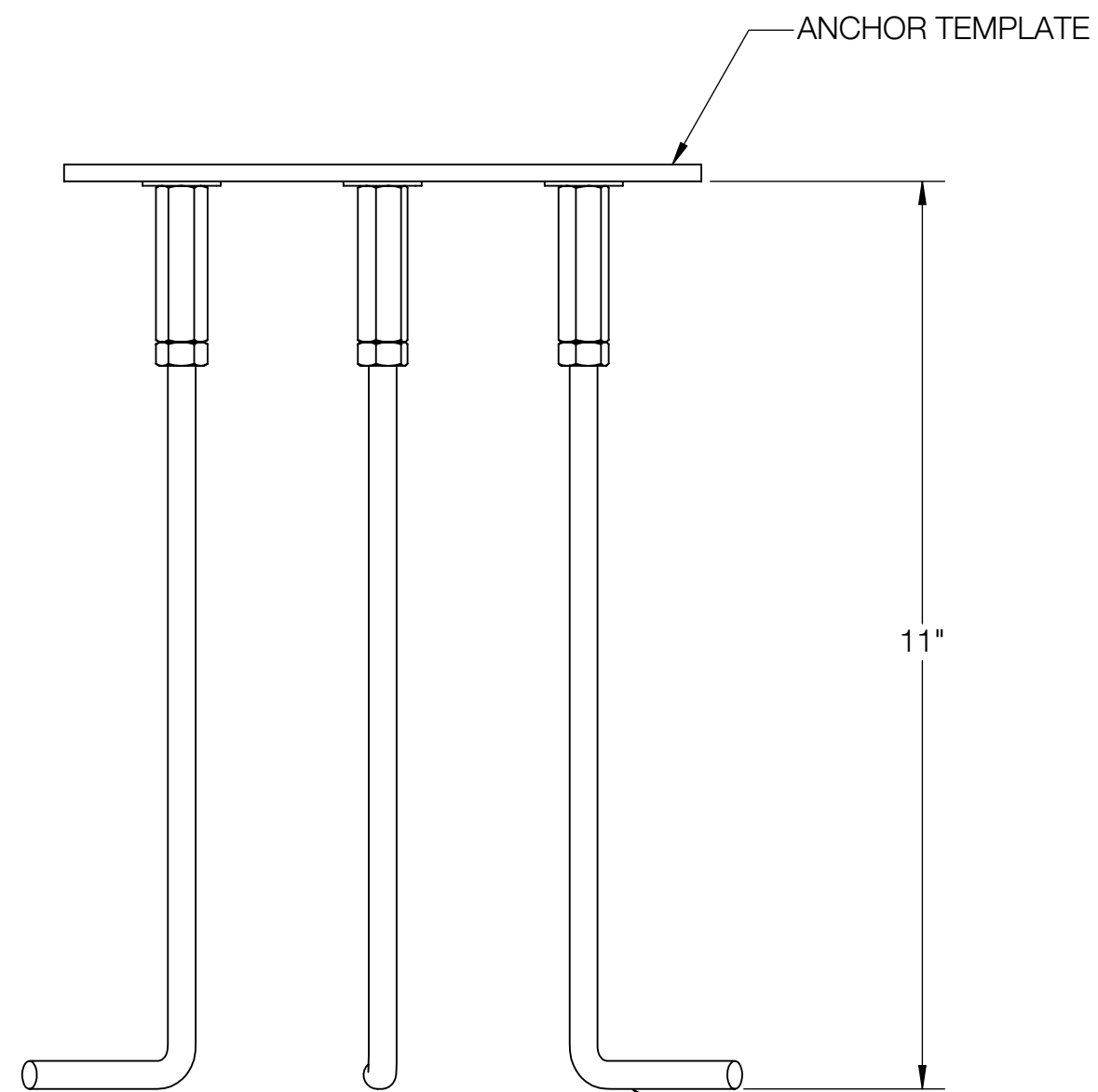
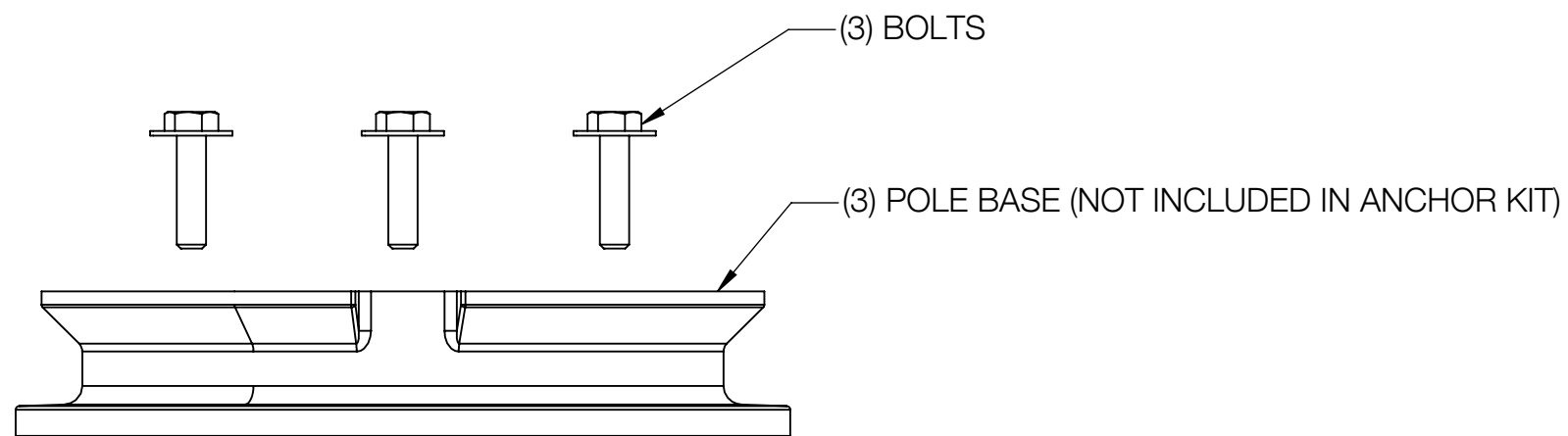
REV	CHANGED BY	DESCRIPTION	DATE



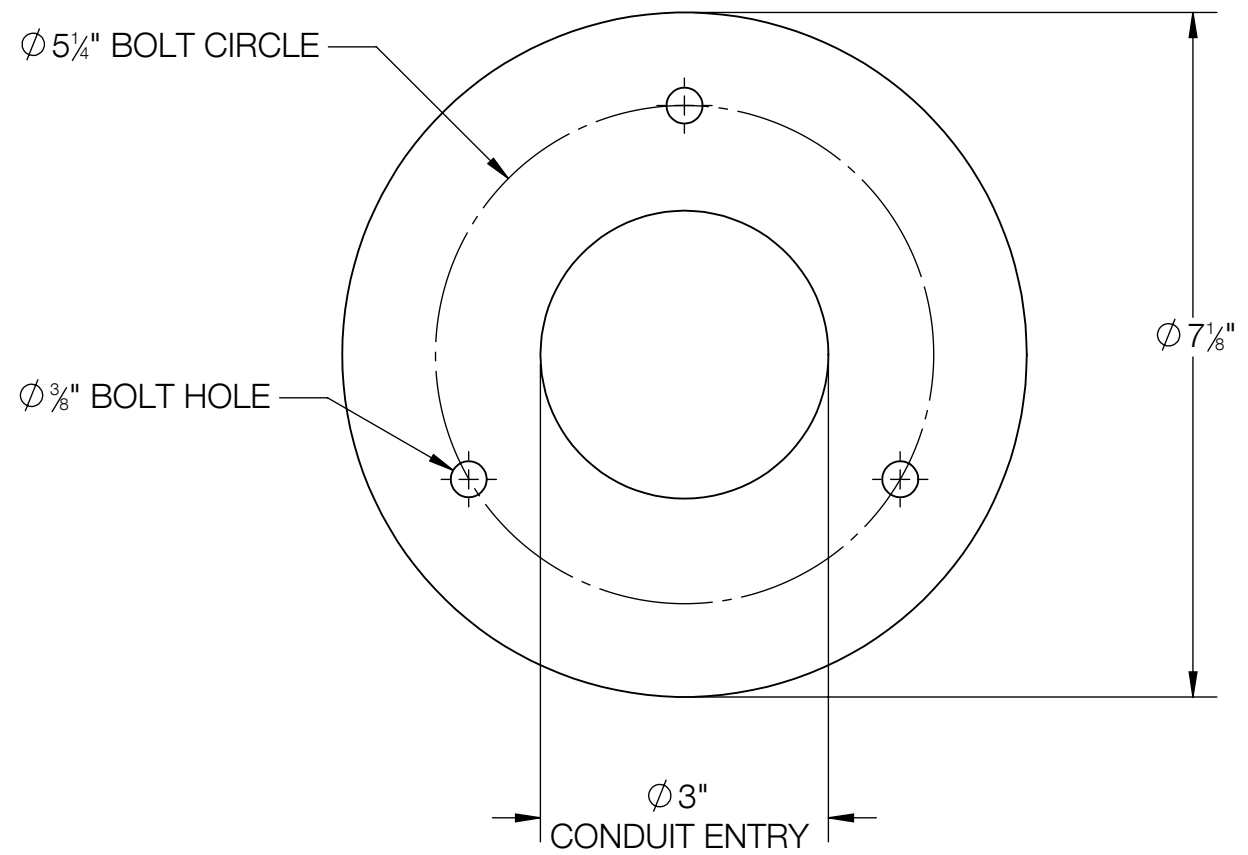
- NOTES:
1. INCLUDES: 79818 ANCHORAGE KIT
 2. HEAD IS ROTATABLE 360° ON POLE
 3. POLE AND HEAD SHIP TOGETHER

BEGA		1000 BEGA Way, Carpinteria, California 93013		P (805) 684-0533 - www.bega-us.com	
APPROVED: _____	DATE: _____	DESCRIPTION: BUILDING ELEMENT ASYMMETRIC WIDE BEAM · SINGLE			
TYPE: _____		SIZE	PART NO.	REV	
PROPRIETARY AND CONFIDENTIAL THE INFORMATION CONTAINED IN THIS DRAWING IS THE SOLE PROPERTY OF BEGA NORTH AMERICA, INC. ANY REPRODUCTION IN PART OR AS A WHOLE WITHOUT THE WRITTEN PERMISSION OF BEGA NORTH AMERICA, INC. IS PROHIBITED.		B	84245	-	
NOT TO SCALE		9/20/2022	SHEET 1 OF 2		

REV	CHANGED BY	DESCRIPTION	DATE



(3) ANCHOR BOLTS
5/16" - 18 X 10"



BEGA

1000 BEGA Way, Carpinteria, California 93013

P (805) 684-0533 - www.bega-us.com

APPROVED: _____ DATE: _____

DESCRIPTION: ANCHORAGE KIT

TYPE: _____

PROPRIETARY AND CONFIDENTIAL

SIZE PART NO. REV

THE INFORMATION CONTAINED IN THIS DRAWING IS THE SOLE PROPERTY OF BEGA NORTH AMERICA, INC. ANY REPRODUCTION IN PART OR AS A WHOLE WITHOUT THE WRITTEN PERMISSION OF BEGA NORTH AMERICA, INC. IS PROHIBITED.

B 79818 -

NOT TO SCALE 9/20/2022 SHEET 2 OF 2