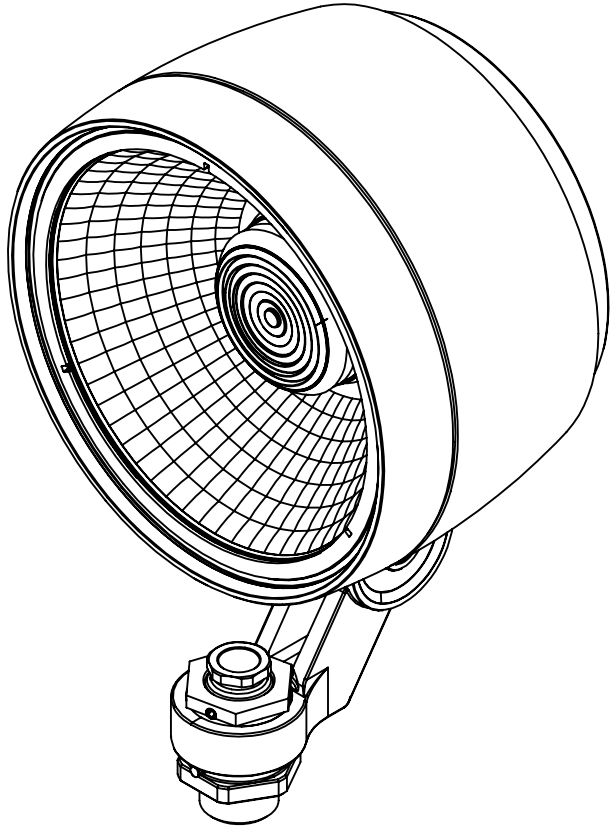
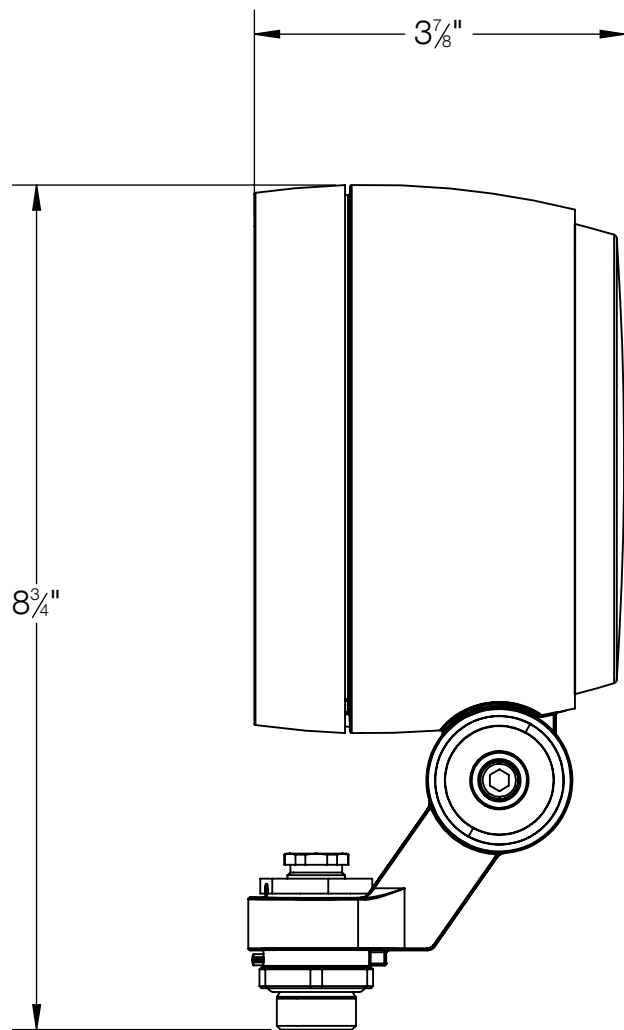
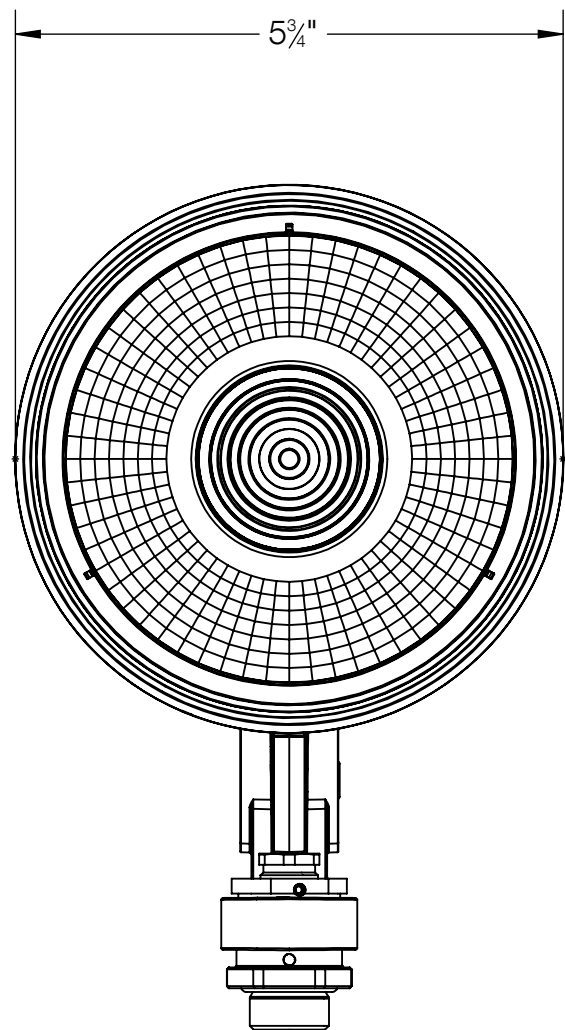


| REV | CHANGED BY | DESCRIPTION | DATE |
|-----|------------|-------------|------|
| | | | |



BEGA

1000 BEGA Way, Carpinteria, California 93013

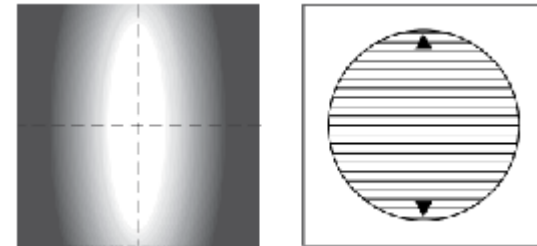
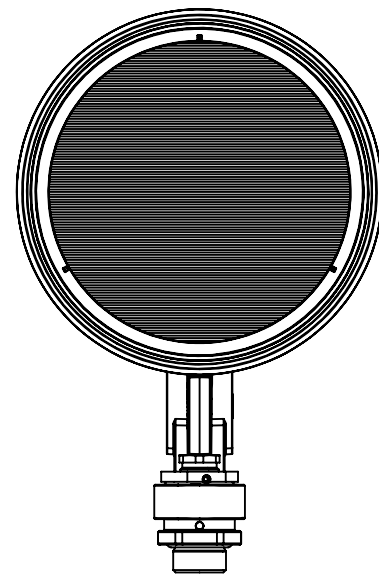
P (805) 684-0533 - www.bega-us.com

APPROVED: _____ DATE: _____
 TYPE: _____

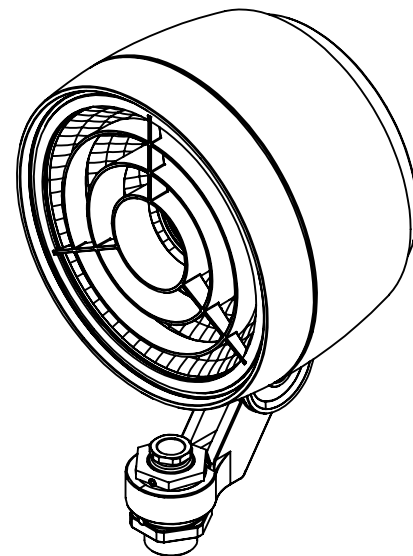
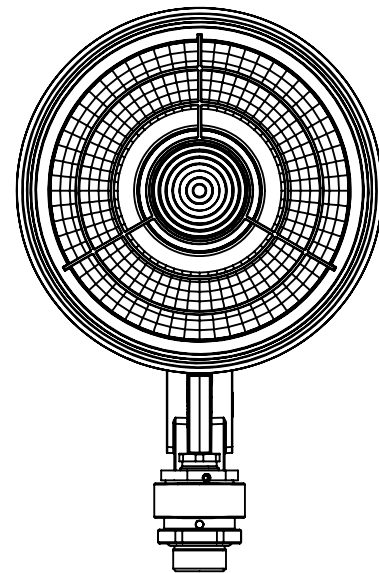
DESCRIPTION: PERFORMANCE FLOODLIGHT
 NARROW BEAM

PROPRIETARY AND CONFIDENTIAL
 THE INFORMATION CONTAINED IN THIS DRAWING IS THE SOLE PROPERTY
 OF BEGA NORTH AMERICA, INC.
 ANY REPRODUCTION IN PART OR AS A WHOLE WITHOUT THE WRITTEN
 PERMISSION OF BEGA NORTH AMERICA, INC. IS PROHIBITED.

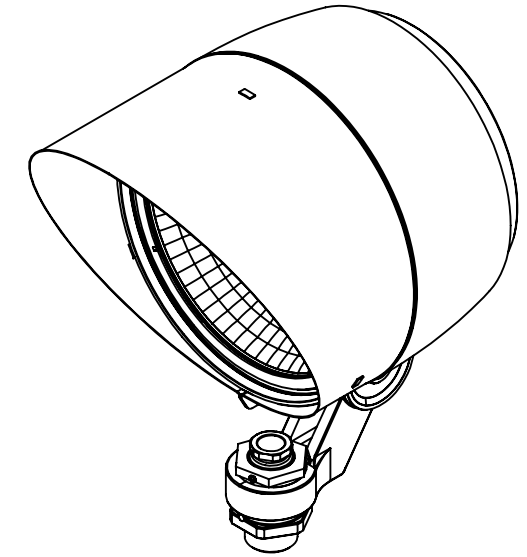
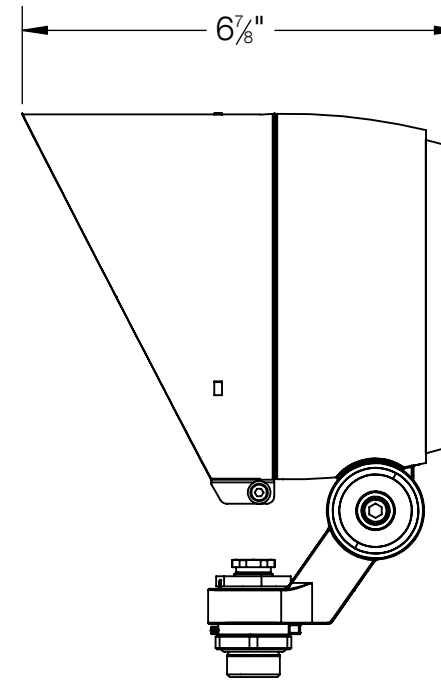
| | | |
|--------------|-----------|--------------|
| SIZE | PART NO. | REV |
| B | 84216 | - |
| NOT TO SCALE | 7/11/2022 | SHEET 1 OF 2 |



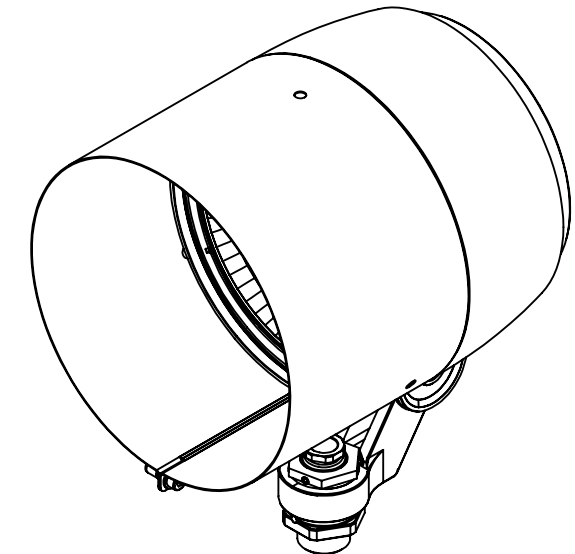
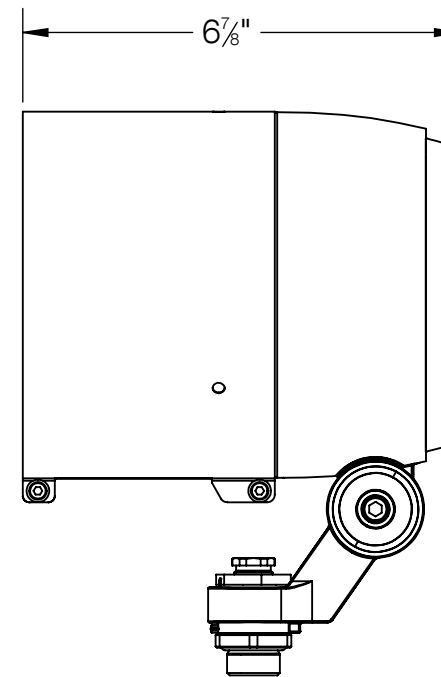
84216 SHOWN WITH ELLIPTICAL SPREAD LENS ACCESSORY 71120
LENS IS ROTATABLE 360°



84216 SHOWN WITH CONCENTRIC RING LOUVER ACCESSORY 71119



84216 SHOWN WITH 180° GLARE SHIELD ACCESSORY 71118 (ABOVE)
84216 SHOWN WITH 360° GLARE SHIELD ACCESSORY 79829 (BELOW)
GLARE SHIELDS ARE ROTATABLE 360°



BEGA

1000 BEGA Way, Carpinteria, California 93013

P (805) 684-0533 - www.bega-us.com

APPROVED: _____ DATE: _____
TYPE: _____

DESCRIPTION: PERFORMANCE FLOODLIGHT
NARROW BEAM

PROPRIETARY AND CONFIDENTIAL
THE INFORMATION CONTAINED IN THIS DRAWING IS THE SOLE PROPERTY
OF BEGA NORTH AMERICA, INC.
ANY REPRODUCTION IN PART OR AS A WHOLE WITHOUT THE WRITTEN
PERMISSION OF BEGA NORTH AMERICA, INC. IS PROHIBITED.

| | | |
|--------------|-----------|--------------|
| SIZE | PART NO. | REV |
| B | 84216 | - |
| NOT TO SCALE | 7/11/2022 | SHEET 2 OF 2 |