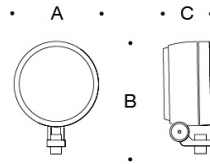


Tools Required:

- Adjustable wrench
- 5mm hex head screwdriver



Dimensions

- A:** 5-3/4
- B:** 8-3/4
- C:** 3-7/8



Overview:

LED Watts: 16.8W
 System Watts: 20.0W
 Controllability: 0-10V, TRIAC, and ELV dimmable
 Weight: 4.0 lbs.
 Protection Class: IP65

Notice to Installer:

1. See page 2 for specific product safety warnings.
2. Provided with 1/2" IPS threaded nipple for direct attachment to pole couplers, cast wiring boxes, or other mounting accessories either by BEGA or by others.
3. Floodlight is provided with 1.5' of 18/5 SJTOW cable.

Installation: Luminaire

1. Route cable to splice location.
2. Make supply wiring and luminaire wiring connections:
 MAIN VOLTAGE SUPPLY WIRE TO BLACK LUMINAIRE WIRE
 NEUTRAL (COMMON) SUPPLY WIRE TO WHITE LUMINAIRE WIRE
 GREEN GROUND WIRE TO GREEN LUMINAIRE WIRE
 Dimming (if applicable):
 DIMMING CONTROL WIRE (+) TO POSITIVE DIM LUMINAIRE WIRE
 DIMMING CONTROL WIRE (-) TO NEGATIVE DIM LUMINAIRE WIRE
3. Insert male threaded part from floodlight into coupler on pole, wiring box, or other mounting accessory (Figure 1).
4. Tighten hexagon nut on top of the connector assembly using an adjustable wrench to secure floodlight into place (Figure 2).
5. To adjust head angle, use 5mm hex head screwdriver to loosen screw at aiming joint. Aim luminaire head as needed and tighten screw to secure into place (Figure 3).

Figure 1:

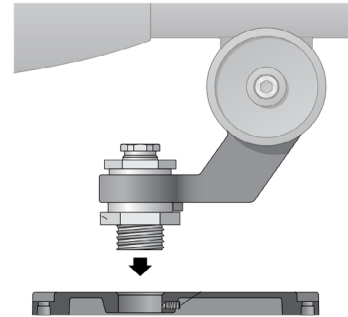


Figure 2:

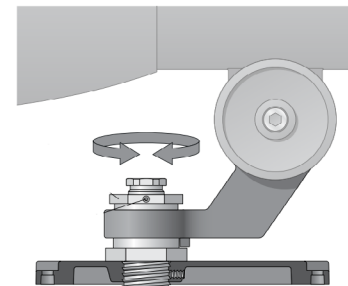
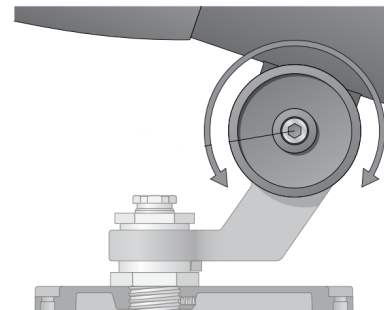


Figure 3:



Accessories

Please refer to the appropriate accessory installation sheet for further instruction when applicable.

Glare shield - 180°	71 118	Pole cap - 3" O.D. pole tenon	70 249
Glare shield - 360°	79 829	Wood screw	70 252
Elliptical spread lens	71 120	Tube clamp	70 280
Concentric ring louver	71 119	Screw clamp	70 283
Surface mount conduit wiring box	19 593	Pole mount arm	70 379
Direct burial wiring box	19 594	Mounting block	79 511
Earth spike	70 204	Pole coupler	71 042

Maintenance:

Clean regularly with solvent-free cleaner removing dirt and debris. Do not use high pressure cleaners.

Replacement Parts

See label inside of fixture for LED replacement part number.
 Consult factory for all other replacement components.

Product Safety Warnings:

THIS PRODUCT MUST BE INSTALLED IN ACCORDANCE WITH THE APPLICABLE INSTALLATION CODE BY A PERSON FAMILIAR WITH THE CONSTRUCTION AND OPERATION OF THE PRODUCT AND THE HAZARDS INVOLVED. SUITABLE FOR MOUNTING WITHIN 1.2 m (4 ft) OF THE GROUND. SUITABLE FOR WET LOCATIONS. MIN 60°C SUPPLY CONDUCTORS.

CE PRODUIT DOIT ÊTRE INSTALLÉ SELON LE CODE D'INSTALLATION PERTINENT, PAR UNE PERSONNE QUI CONNAÎT BIEN LE PRODUIT ET SON FONCTIONNEMENT AINSI QUE LES RISQUES INHÉRENTS. PEUT ÊTRE INSTALLÉ À MOINS DE 1,2 m (4 pi) DU SOL. CONVIENT AUX EMPLACEMENTS MOUILLÉS. LES FILS D'ALIMENTATION 60°C MIN.