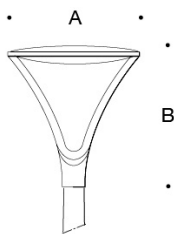


Tools Required:

- 4mm hex head screwdriver

Overview:

LED Watts: 46.4W
 System Watts: 52.0W
 Controllability: 0-10V dimmable
 Weight: 61.7 lbs.
 Protection Class: IP65



Dimensions

A: 29-1/2
B: 32-3/8



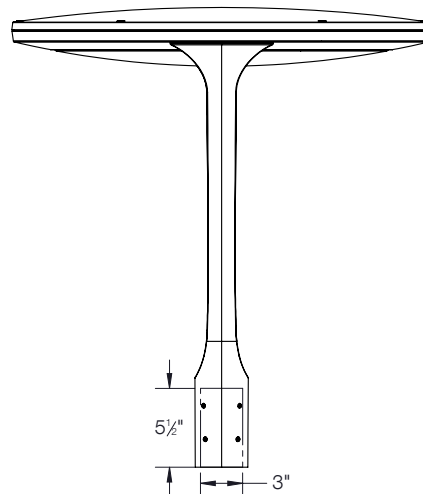
Notice to Installer:

1. See page 2 for specific product safety warnings.
2. For pole-top applications only.
3. For use with tenon or pole insertion depth of 5-1/2" only. Pole inner dimensions 2-3/8" minimum.
4. Pole-top luminaire is supplied with a 25' wire bundle to route through pole for supply wiring connections

Installation: Luminaire

1. Route the luminaire wires through the pole to the base and slip luminaire over the top of the pole.
 2. Secure luminaire by tightening (6) 4mm hex head screws on pole fitter to 12-nM.
 3. Make supply wiring connections to luminaire in pole base:
 MAIN VOLTAGE SUPPLY WIRE TO BLACK LUMINAIRE WIRE
 NEUTRAL (COMMON) SUPPLY WIRE TO WHITE LUMINAIRE WIRE
 GREEN GROUND WIRE TO GREEN LUMINAIRE WIRE
- Dimming (if applicable):
 DIMMING CONTROL (+) TO POSITIVE LUMINAIRE DIM CONTROL WIRE
 DIMMING CONTROL (-) TO NEGATIVE LUMINAIRE DIM CONTROL WIRE

Figure 1:



NOTE: TENON OR POLE INSERTION DEPTH OF 5-1/2" REQUIRED FOR PROPER INSTALLATION

Accessories

Please refer to the appropriate accessory installation sheet for further instruction when applicable.

Maintenance:

Clean regularly with solvent-free cleaner removing dirt and debris. Do not use high pressure cleaners.

Replacement Parts

See label inside of fixture for LED replacement part number.
 Consult factory for all other replacement components.

Product Safety Warnings:

THIS PRODUCT MUST BE INSTALLED IN ACCORDANCE WITH THE APPLICABLE INSTALLATION CODE BY A PERSON FAMILIAR WITH THE CONSTRUCTION AND OPERATION OF THE PRODUCT AND THE HAZARDS INVOLVED.

SUITABLE FOR WET LOCATIONS.

MIN 90°C SUPPLY CONDUCTORS.

CE PRODUIT DOIT ÊTRE INSTALLÉ SELON LE CODE D'INSTALLATION PERTINENT, PAR UNE PERSONNE QUI CONNAÎT BIEN LE PRODUIT ET SON FONCTIONNEMENT AINSI QUE LES RISQUES INHÉRENTS.

CONVIENT AUX EMPLACEMENTS MOUILLÉS.

LES FILS D'ALIMENTATION 90°C MIN.