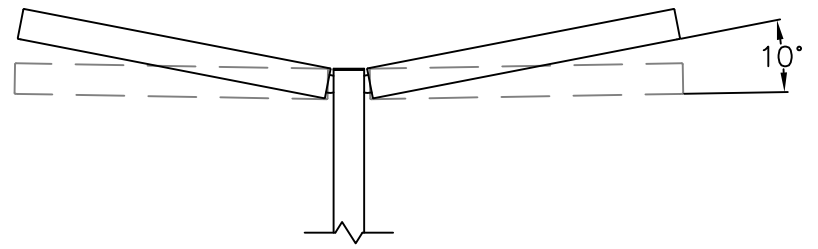
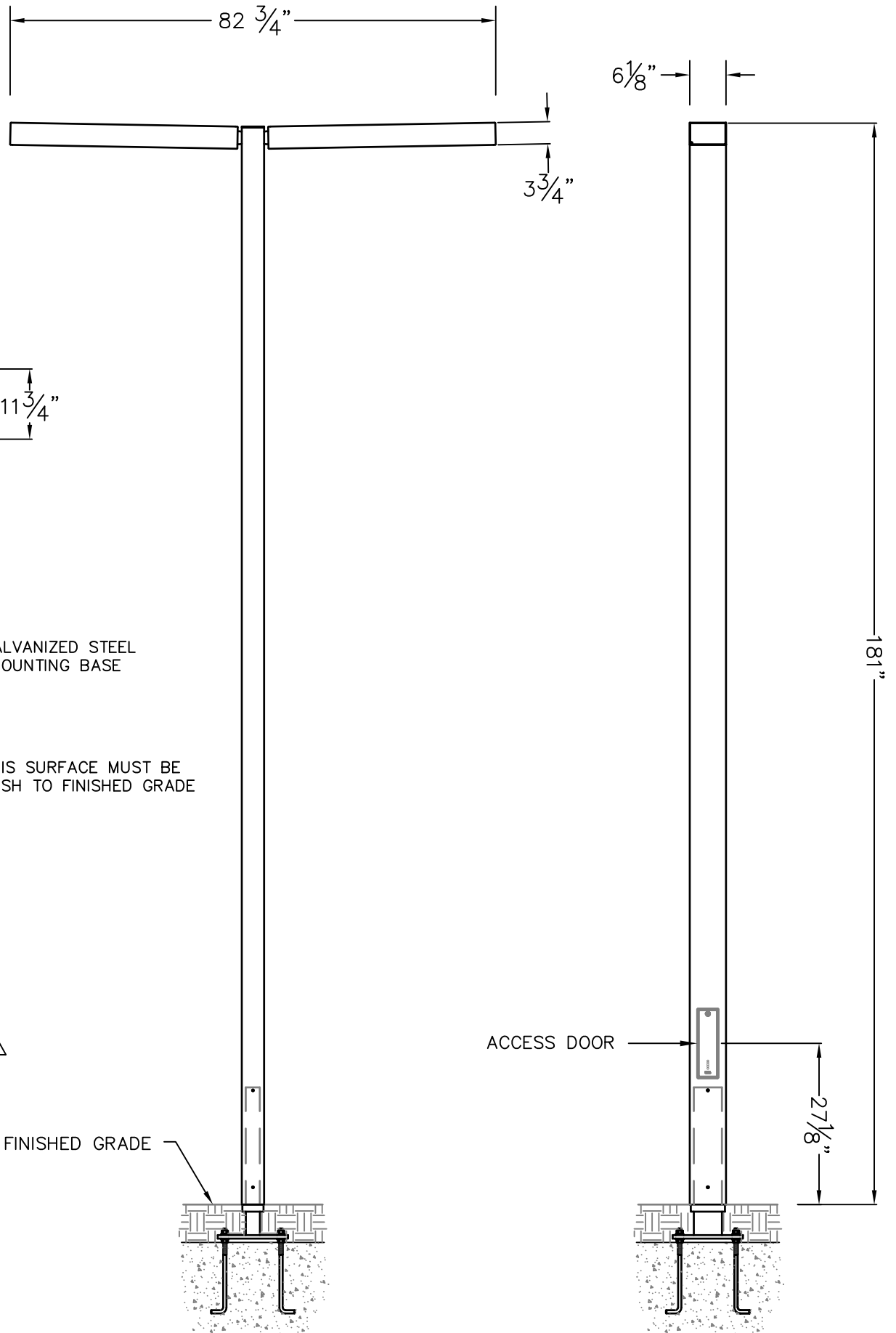


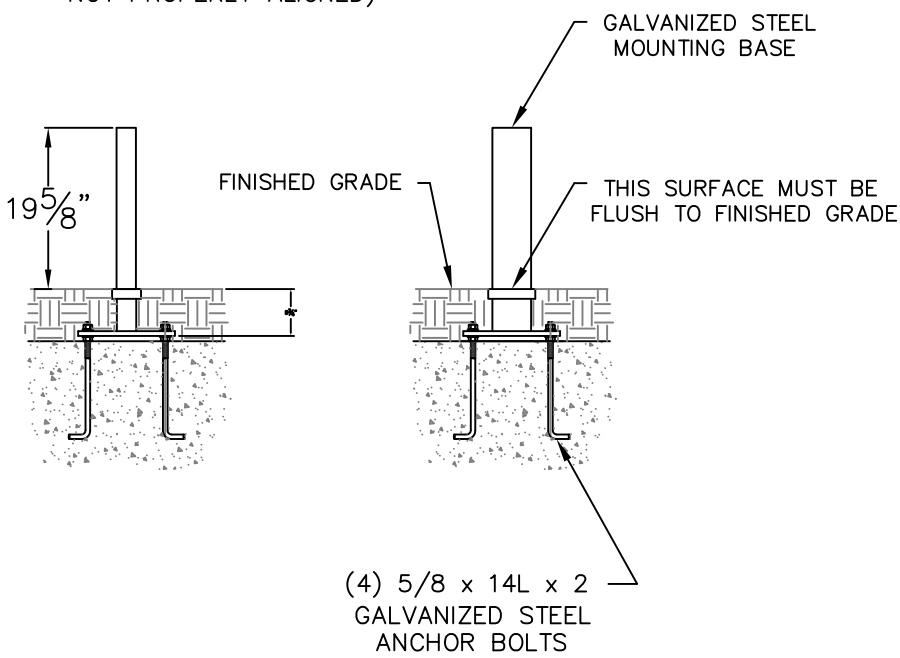
LUMINAIRE # 84 127 – SEE SPECIFICATIONS



ADJUSTABLE



IMPORTANT:
 CORNERS OF BASE &
 LUMINAIRE MUST BE
 ALIGNED IN DESIRED
 LOCATION & ORIENTATION.
 (ANCHORAGE REMOVAL
 MAY BE REQUIRED IF
 NOT PROPERLY ALIGNED)



BASE DETAIL

BEGA ANCHORAGE 79 802

TYPE: _____

SUBMITTAL APPROVAL

APPROVED BY: _____
 SIGNED: _____ DATE: _____

CAT NO.: 84127 - Twin head Linear Element

PROJECT: _____
 LOCATION: _____
 DRAWN: Bob Mc DATE: 08/09/17 FILE NAME: 84127

BEGA

1000 Bega Way
 Carpinteria, Ca. 93013
 (805) 684-0533

| REV. | DATE | DESCRIPTION |
|------|------|-------------|
| | | |

This print contains confidential information which is the property of BEGA U.S. By acceptance this information, the borrower agrees that it will not be used for any other purpose other than that which is was loaned.