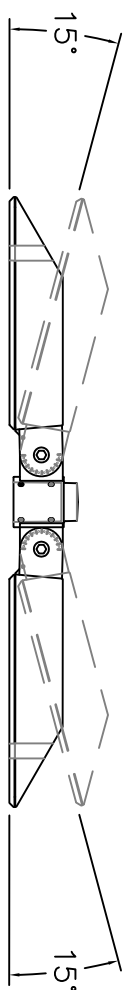
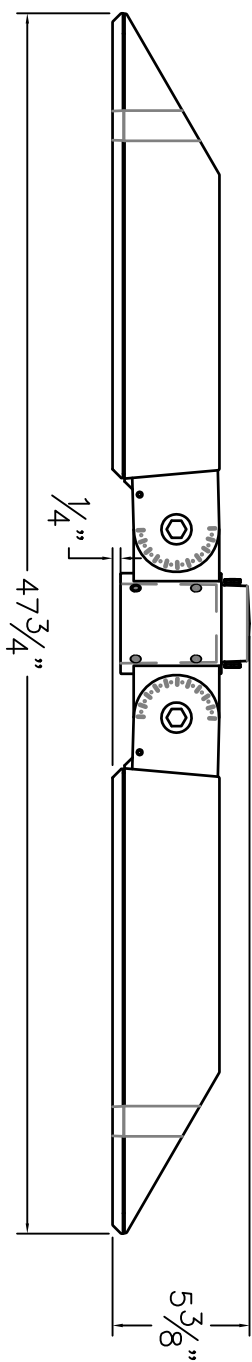
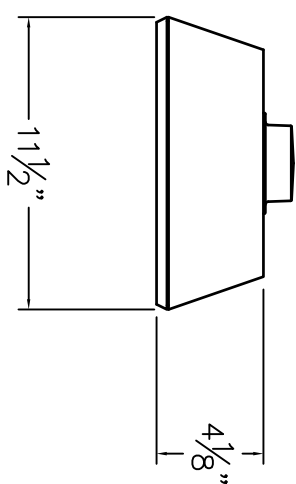
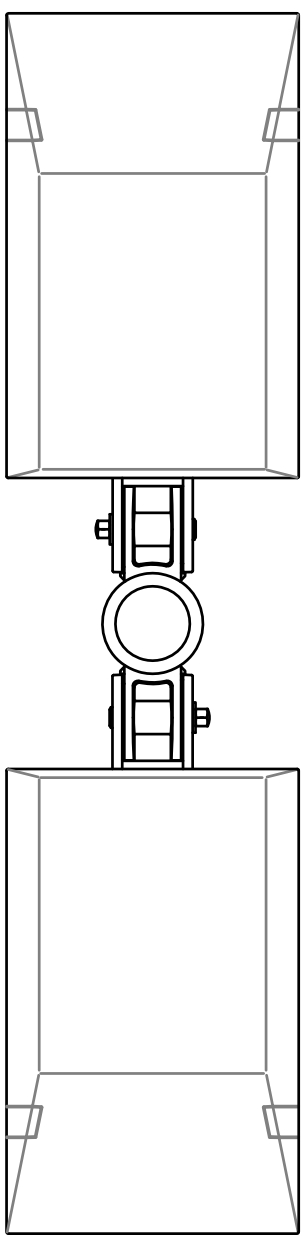
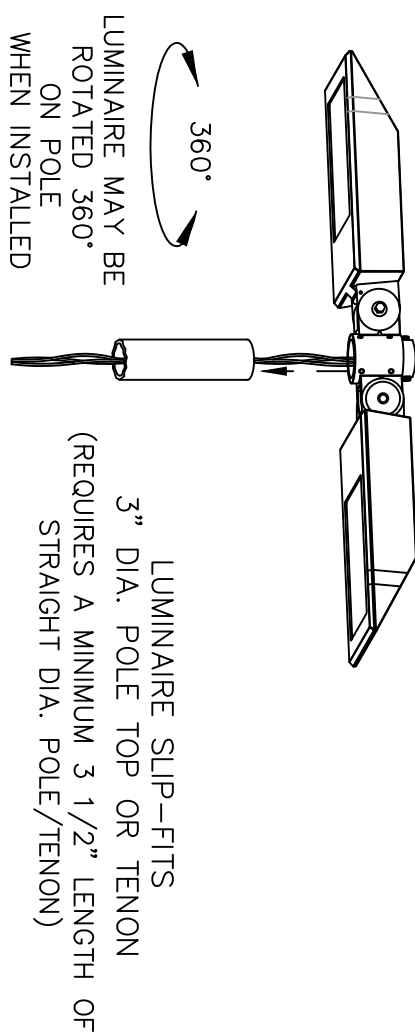


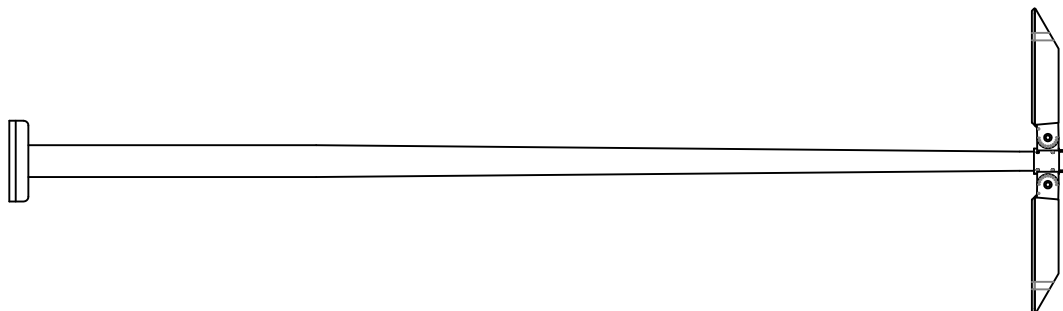
NOTE: LUMINAIRE # 84 123 – SEE SPECIFICATIONS



**ADJUSTABILITY**



**SHOWN ON 1308HR**



**TYPE:** \_\_\_\_\_

**SUBMITTAL APPROVAL**

APPROVED BY: \_\_\_\_\_

SIGNED: \_\_\_\_\_ DATE: \_\_\_\_\_

CAT NO.: LUMINAIRE # 84 123

PROJECT: -

LOCATION: -

DRAWN: NF DATE: 08/10/17 FILE NAME: 84123.dxf

**BEGA**

1000 Bega Way  
Carpinteria, Ca. 93013  
(805) 684-0533

| REV. | DATE | DESCRIPTION |
|------|------|-------------|
|      |      |             |

This print contains confidential information which is the property of BEGA U.S. By acceptance this information, the borrower agrees that it will not be used for any other purpose other than that which is was loaned.