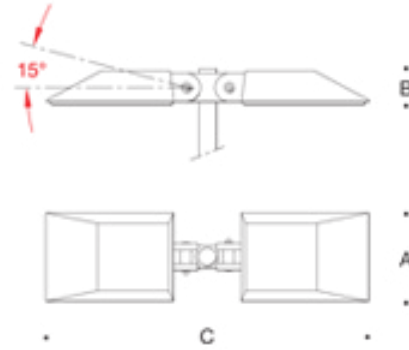


**Tools Required:**

- 3mm hex key
- 4mm hex key
- Adjustable wrench



**Dimensions**

- A: 11-1/2 "
- B: 4-1/4 "
- C: 47-3/4 "



**Protection Class:** IP66

**Weight:** 34.2 lbs.

**Notice to Installer for 84 123:**

1. For pole top applications only.
2. Slip fits 3" O.D. poles only.
3. LED module and integral driver provided by BEGA.
4. Pole top luminaire supplied with 25 feet of cable to route through pole.

**84 123 - installation:**

1. Route the luminaire wiring through to the pole base and slip luminaire over the top of the pole.
2. Secure luminaire by tightening set screws on pole fitter.
3. Make supply wiring connections to luminaire wires in pole base:
  - MAIN VOLTAGE SUPPLY WIRE TO BLACK LUMINAIRE WIRE
  - NEUTRAL (COMMON) SUPPLY WIRE TO WHITE LUMINAIRE WIRE
  - GREEN GROUND WIRE TO GREEN LUMINAIRE WIRE
- Dimming (if applicable):
  - DIMMING CONTROL WIRE (+) TO POSITIVE LUMINAIRE DIM CONTROL WIRE
  - DIMMING CONTROL WIRE (-) TO NEGATIVE LUMINAIRE DIM CONTROL WIRE
4. To adjust beam direction, loosen M10 nut at joint and adjust accordingly. Tighten joint nut to secure.

**Relamping/Maintenance**

NO relamping necessary.

**Accessories**

Please refer to the appropriate accessory installation sheet for further instruction when applicable.

**Replacement Parts**

Description	Part No
LED Driver (120-277V)	(x2) 75983-02
LED Module (3000K)	(x4) LED-0316/830
LED Module (4000K)	(x4) LED-0316/840

**Lamp:** (2) 15.8W LED

In the interest of product improvement, BEGA reserves the right to make technical changes without notice.

**Product Safety Warnings:**

**THIS PRODUCT MUST BE INSTALLED IN ACCORDANCE WITH THE APPLICABLE INSTALLATION CODE BY A PERSON FAMILIAR WITH THE CONSTRUCTION AND OPERATION OF THE PRODUCT AND THE HAZARDS INVOLVED. SUITABLE FOR WET LOCATIONS.**

**MIN 60°C SUPPLY CONDUCTORS.**

**CE PRODUIT DOIT ÊTRE INSTALLÉ SELON LE CODE D'INSTALLATION PERTINENT, PAR UNE PERSONNE QUI CONNAÎT BIEN LE PRODUIT ET SON FONCTIONNEMENT AINSI QUE LES RISQUES INHÉRENTS. CONVIENT AUX EMPLACEMENTS MOUILLÉS.**

**LES FILS D'ALIMENTATION 60°C MIN.**

---