

**Tools Required:**

- 4mm hex key
- 5/16" hex socket

**Overview:**

LED Watts: 19.4W  
 System Watts: 24.0W  
 Controllability: 0-10V, TRIAC, ELV dimmable  
 Weight: 15.4 lbs.  
 Protection Class: IP65

**Notice to Installer:**

1. See page 2 for specific product safety warnings.
2. Fixture may be damaged if connected to conduit systems that contain water- Article 300-5G of the National Electric Code requires that "Conduits or race ways through which moisture may contact energized live parts shall be sealed or plugged at either or both ends."
3. 79 817 anchorage kit (included) must be installed in concrete pad/foundation.
4. It is recommended that when installing in planting areas the bollard base be slightly elevated to avoid prolonged submerging during heavy rains.
5. Wet location listing does not imply suitability for exposure to standing water for long periods of time. Proper drainage must be provided for direct burial anchorage. Failure to do so may void warranty.

**79817 Anchor Kit Installation:**

1. Provide means to bring supply wiring to the bollard in accordance with local code. The template has a 2-3/8" conduit hole for conduit entry.
  2. Assemble anchorage kit. Unscrew the (3) 5/16" hex bolts from the female couplers. Remove each hex bolt and washer. Align each anchor bolt with the hole in the template. Attach each anchor bolt to the template by replacing the washer and hex bolt and tightening.
  3. Determine the finished grade for the application. Use leveling hardware to adjust template to desired finished height after pouring.
  4. Install anchorage kit using either method:
    - A. Attach template to forming or cross bracing using the (2) nail holes provided in the template. Level template properly. Pour concrete.
    - B. Insert anchorage assembly into poured concrete. Concrete must be vibrated to ensure proper anchorage setting. Level template properly.
- Note:** Bollard has free rotation for aiming. However, to avoid set screw aligning with notch in bollard base, recommended anchor orientation is shown in Figure 1.
5. Place template and screw (3) hex bolts to anchor bolts.

**70895 Direct Burial Anchor Kit Installation:**

1. Provide means to bring supply wiring to the conduit entry location per with local code.
2. Prepare soil for anchorage or cast the post in concrete.
3. Make sure anchorage is installed firmly into the ground and mounted level to the surface.  
**NOTE: ENSURE THAT THE FLANGE PLATE IS ENTIRELY LEVEL AND FLUSH WITH THE TOP EDGE OF THE SURFACE**
4. Remove (3) mounting bolts and washers from the anchorage unit.
5. Align mounting base of the bollard tube, place onto top of anchorage post.
6. Secure by replacing (3) bolts through bollard base, into threaded holes of anchorage flange. Tighten bolts firmly.
7. Skip to step 6 on 84107 luminaire installation (below)

**84107 Luminaire Installation:**

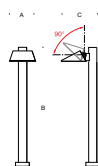
1. Remove (3) hex bolts and washers, once concrete is cured and anchorage is set. (79817 anchor only)
2. Remove template, making sure that there is a smooth, flat surface to mount the base (79817 anchor only)
3. Loosen the 5mm hex head set screw at the base of the fixture. Turn the base plate and remove from bollard.
4. Align base plate holes with anchorage holes.
5. Bolt the base plate to the anchorage kit using the (3) hex bolts and washers.
6. Make supply wiring connections to wire leads from driver inside the fixture  
 MAIN VOLTAGE SUPPLY WIRE TO BLACK DRIVER WIRE;  
 NEUTRAL (COMMON) SUPPLY WIRE TO WHITE DRIVER WIRE;  
 GREEN GROUND WIRE TO GREEN DRIVER WIRE.  
 Dimming (if applicable):  
 DIMMING CONTROL WIRE (+) TO POSITIVE DRIVER DIM CONTROL WIRE  
 DIMMING CONTROL WIRE (-) TO NEGATIVE DRIVER DIM CONTROL WIRE
7. Place the bollard over the base plate so that the (3) notches in the base plate align with the top. Twist bollard tube to desired orientation.

**Accessories**

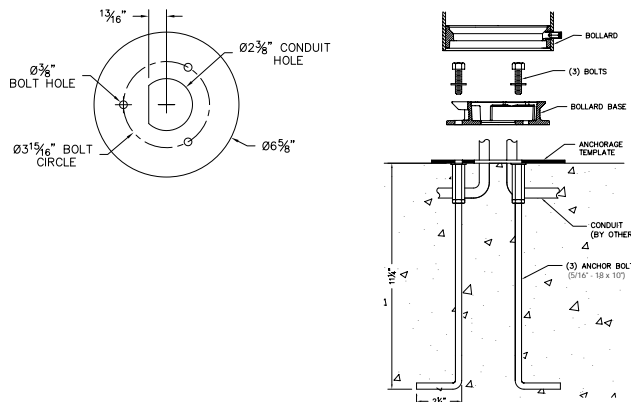
Please refer to the appropriate accessory installation sheet for further instruction when applicable.

**Dimensions**

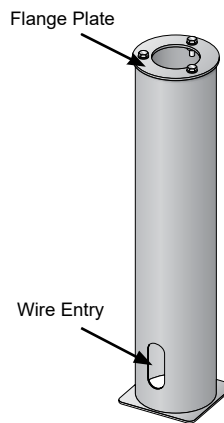
- A:** 10 1/4"
- B:** 47 1/8"
- C:** 14"



**Figure 1: 79817 anchor kit installation:**



**Figure 2: 70895 direct burial anchor installation:**



**Maintenance:**

Clean regularly with solvent-free cleaner removing dirt and debris. Do not use high pressure cleaners.

**Replacement Parts**

See label inside of fixture for LED replacement part number.

Consult factory for all other replacement components.

**Product Safety Warnings:**

**THIS PRODUCT MUST BE INSTALLED IN ACCORDANCE WITH THE APPLICABLE INSTALLATION CODE BY A PERSON FAMILIAR WITH THE CONSTRUCTION AND OPERATION OF THE PRODUCT AND THE HAZARDS INVOLVED. SUITABLE FOR WET LOCATIONS. MIN 90°C SUPPLY CONDUCTORS.**

**CE PRODUIT DOIT ÊTRE INSTALLÉ SELON LE CODE D'INSTALLATION PERTINENT, PAR UNE PERSONNE QUI CONNAÎT BIEN LE PRODUIT ET SON FONCTIONNEMENT AINSI QUE LES RISQUES INHÉRENTS. CONVIENT AUX EMPLACEMENTS MOUILLÉS.**

**LES FILS D'ALIMENTATION 90°C MIN.**