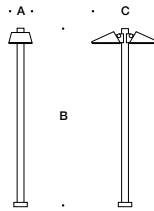


**Tools Required:**

- Adjustable wrench
- 4mm hex head screwdriver
- 5mm hex head screwdriver
- 6mm hex head screwdriver
- Special tool (included)

**Overview:**

LED Watts: 38.8W  
 System Watts: 48.0W  
 Controllability: 0-10V, TRIAC, and ELV dimmable  
 Weight: 41.4 lbs.  
 Protection Class: IP65



**Dimensions**

- A:** 10-1/4  
**B:** 102-7/8  
**C:** 24-7/8



**Notice to Installer:**

1. Fixture may be damaged if connected to conduit systems that contain water. Article 300-5G of the National Electric Code requires that "Conduits or raceways through which moisture may contact energized live parts shall be sealed or plugged at either or both ends."
2. 79 818 anchorage kit (**included**) must be installed in concrete pad/foundation.
3. It is recommended that when installing in planting areas the pole base be slightly elevated to avoid prolonged submerging during heavy rains.
4. Wet location listing does not imply suitability for exposure to standing water for long periods of time.

**Anchorage Installation:**

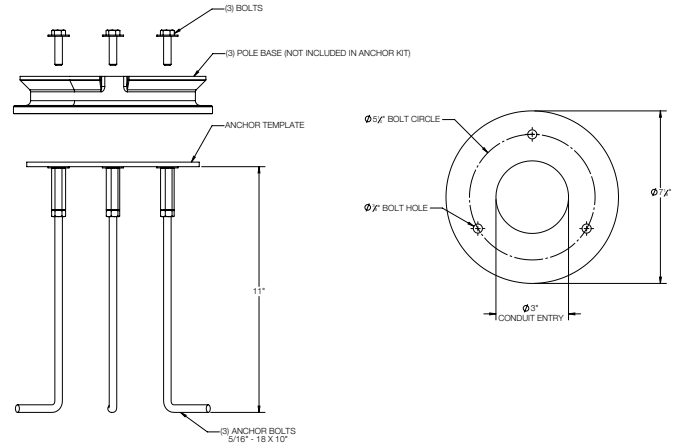
1. Provide means to bring supply wiring to the pole in accordance with local code.
2. Assemble anchorage kit. Unscrew the (3) hex bolts from the female couplers. Remove each hex bolt and washer. Align each anchor bolt with the hole in the template. Attach each anchor bolt to the template by replacing the washer and hex bolt and tightening.
3. Determine the finished grade for the application. Use leveling hardware to adjust template to desired finished height after pouring.
4. Install anchorage kit using either method:
  - A. Attach template to form or cross bracing using nail holes provided in template. Level template properly. Pour concrete.
  - B. Insert anchorage assembly into poured concrete. Concrete must be vibrated to sure proper anchorage setting. Level template properly.
5. Remove (3) hex bolts and washers once anchorage is set. Set aside for use during luminaire installation.
6. Remove template. Smooth concrete pad as required.

**Important: Allow adequate time for concrete to cure before installing luminaire.**

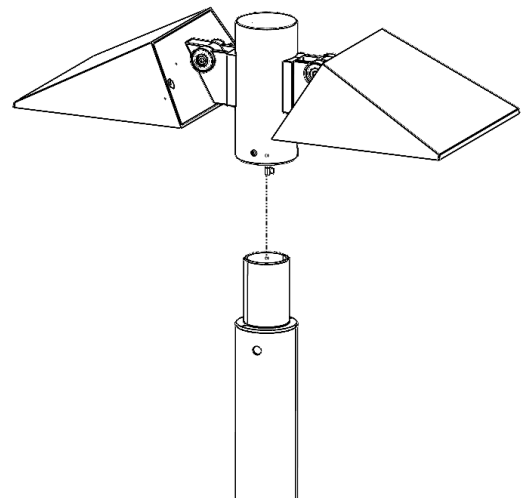
**Luminaire Installation:**

1. Remove base plate from pole by loosening (1) 5mm set screw near pole base.
2. Align base plate holes with anchorage holes.
3. Bolt the base plate to the anchorage kit using the (3) hex bolts and washers.
4. Assemble the luminaire. Feed wire bundle supplied with fixture head through the pole to the base. Slip head over top of pole (Figure 2). Tighten (3) 4mm hex head screws to secure.
5. Carefully place pole over pole base with head attached. Aim as needed and tighten (1) 5mm set screw to 12Nm to secure. Fixture is rotatable 360° on anchorage.
6. Open the access door using the special tool (included).
7. Make supply wiring connections inside pole behind access door:  
 MAIN VOLTAGE SUPPLY WIRE TO BLACK FIXTURE WIRE  
 NEUTRAL (COMMON) SUPPLY WIRE TO WHITE FIXTURE WIRE  
 GREEN GROUND WIRE TO GREEN FIXTURE WIRE  
 Dimming (if applicable):  
 DIMMING CONTROL WIRE (+) TO POSITIVE FIXTURE DIM WIRE  
 DIMMING CONTROL WIRE (-) TO NEGATIVE FIXTURE DIM WIRE
8. To adjust head angle, loosen (1) 6mm hex head screw and adjust each luminaire head as desired up to 90°. Tighten screw to 14Nm to secure.

**Figure 1:**



**Figure 2:**



**Accessories**

Please refer to the appropriate accessory installation sheet for further instruction when applicable.

**Maintenance:**

Clean regularly with solvent-free cleaner removing dirt and debris. Do not use high pressure cleaners.

**Replacement Parts**

See label inside of fixture for LED replacement part number.

Consult factory for all other replacement components.

## Product Safety Warnings:

**THIS PRODUCT MUST BE INSTALLED IN ACCORDANCE WITH THE APPLICABLE INSTALLATION CODE BY A PERSON FAMILIAR WITH THE CONSTRUCTION AND OPERATION OF THE PRODUCT AND THE HAZARDS INVOLVED. CAUTION - RISK OF SHOCK - DISCONNECT POWER BEFORE SERVICING.  
SUITABLE FOR WET LOCATIONS.  
MIN 60°C SUPPLY CONDUCTORS.**

**CE PRODUIT DOIT ÊTRE INSTALLÉ SELON LE CODE D'INSTALLATION PERTINENT, PAR UNE PERSONNE QUI CONNAÎT BIEN LE PRODUIT ET SON FONCTIONNEMENT AINSI QUÉ LES RISQUES INHERENTS. ATTENTION —RISQUE DE CHOC -COUPER L'ALIMENTATION AVANT L'ENTRETIEN CONVIENT AUX EMPLACEMENTS MOUILLES.  
LES FILS D'ALIMENTATION 60°C MIN.**