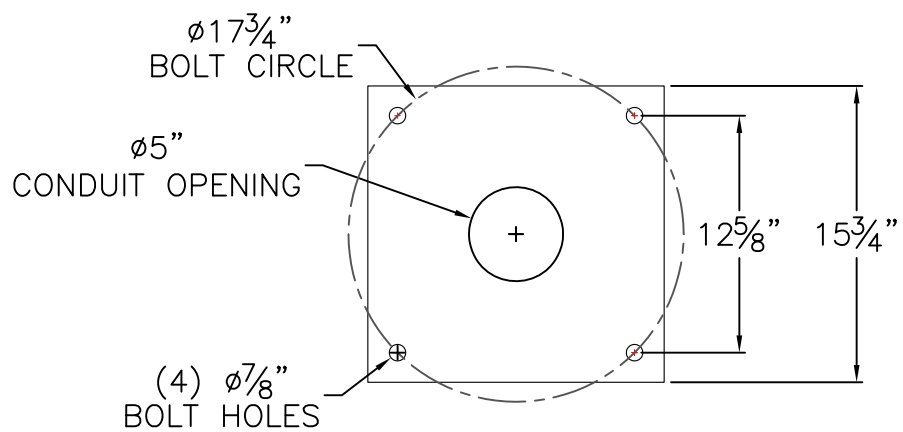
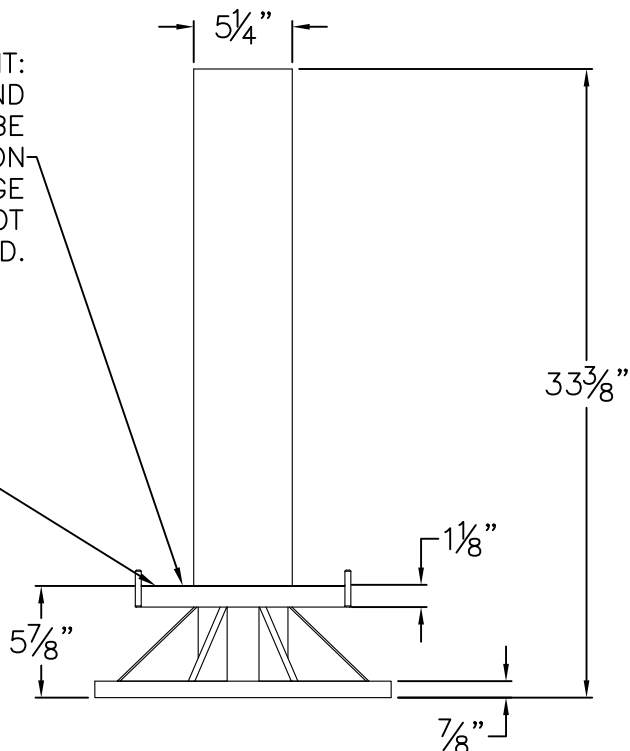


IMPORTANT:  
 CORNERS OF LUMINAIRE AND  
 CORNERS OF BASE MUST BE  
 ALIGNED IN DESIRED LOCATION  
 AND ORIENTATION. ANCHORAGE  
 REMOVAL REQUIRED IF NOT  
 PROPERLY ALIGNED.

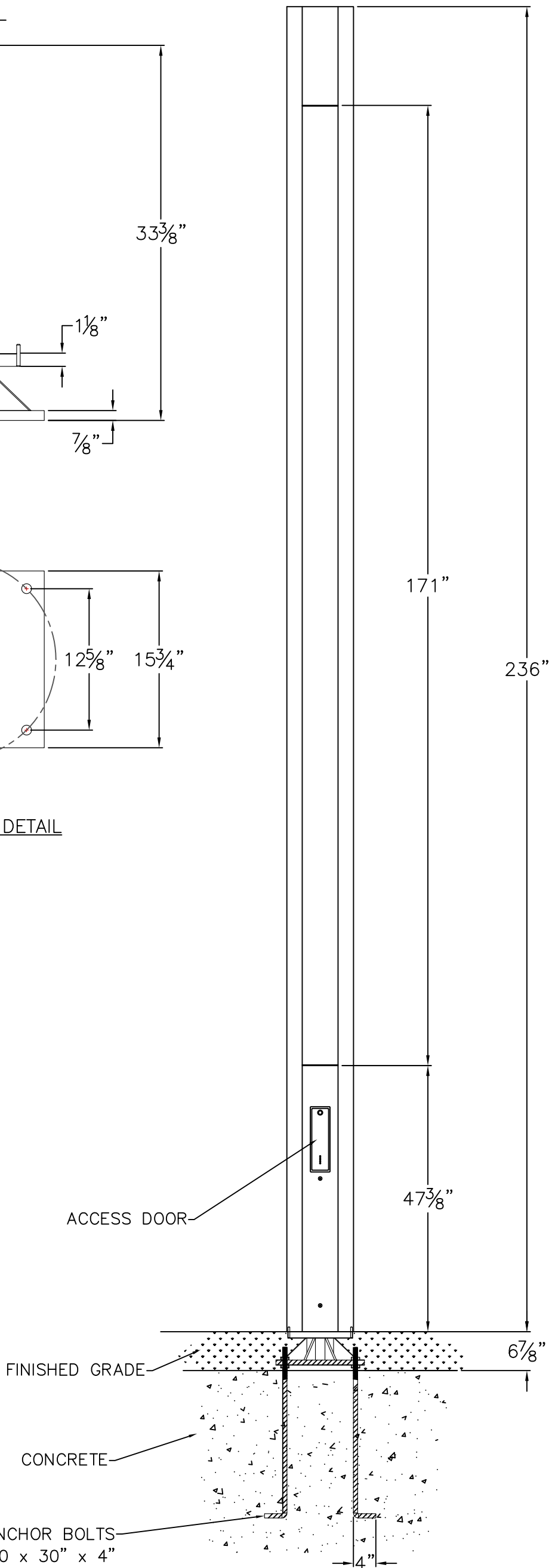
THIS SURFACE TO BE  
 FLUSH WITH GRADE



ANCHOR BASE DETAIL

NOTES:

- LUMINAIRE # 84 083 – SEE SPECIFICATIONS;



This print contains confidential information which is the property of BEGA/US. By accepting this information, the borrower agrees that it will not be used for any other purpose other than that which is was loaned.

Catalog No.: # 84 083  
 Description: \_\_\_\_\_  
 Drawn by: KT Date: 2/16/18 File Name: 84083.DXF  
 SCALE: NONE – DO NOT SCALE DRAWING

**BEGA**

1000 Bega Way  
 Carpinteria, Ca. 93013  
 (805) 684-0533