

**Tools Required:**

- 4mm hex key
- 8mm hex key
- Special tool (provided)

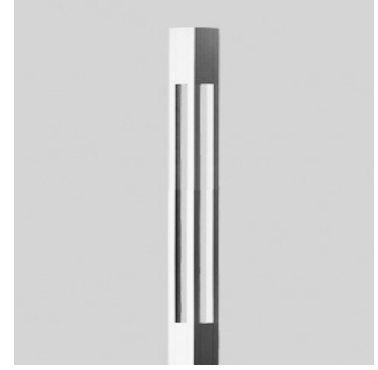
**Protection Class:** IP65

**Weight:** 196.3 lbs.



**Dimensions**

- A:** 11-7/8 x 11-7/8 "
- B:** 171 "
- C:** 236 "



**Notice to Installer for 84 083:**

1. See page 2 for specific product safety warnings.
2. 79 806 anchorage kit must be installed in concrete foundation.
3. Anchorage kit 79 806 is buried below finished grade. Attention to alignment, leveling, and location is required for proper installation.
4. LED module and LED driver provided, integral in luminaire.

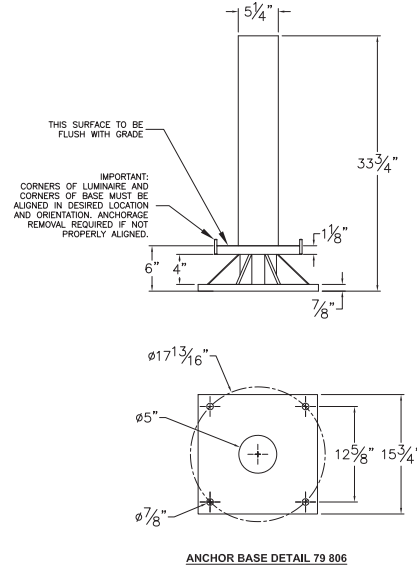
**79 806 anchorage installation:**

1. Provide means to bring supply wiring to linear element in accordance with local code. The template has a 5" conduit hole for conduit entry. Provide adequate foundation reinforcement for the intended load (by others).
2. Use template and anchor bolts provided to assemble anchorage kit to be set. Make sure anchor bolts do not protrude from lower concrete foundation more than 4".
3. Please refer to figure to establish location of lower concrete foundation. The anchorage kit **MUST BE** buried. The top of the lower concrete foundation **MUST** be 6-7/8" **BELOW** finished grade for proper installation. Position anchorage and level template properly.
4. Align and level anchorage kit so the corners of the square template are aligned with the desired location and orientation of the corners of the square linear element. See figure.
5. Install anchorage kit using either method:
  - A. Attach template to forming and level properly.
  - B. Insert anchorage kit into poured concrete. Concrete must be vibrated to ensure proper anchorage setting. Level template properly.

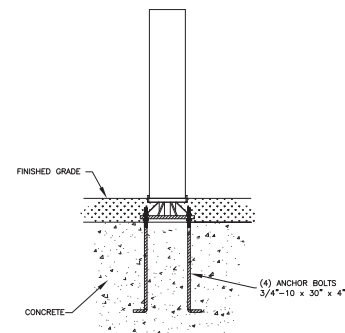
**84 083 installation:**

1. Once the anchorage is set, remove template and hardware.
2. Pull supply wiring to a length where splices can be seen and made through the access door.
3. Route supply wiring through the mounting base and install mounting base using hardware provided. Complete finished grade. See figure.
4. Use special tool provided to unlock the access door lock and remove access door. Route the luminaire wiring down and out the hand hold for connections to be made later.
5. Loosen (8) M10 set screws at the base of the light element and place the light element over the mounting base. Tighten (8) M10 set screws to secure to base.
6. Make supply wiring and luminaire wiring connections inside the luminaire:
  - MAIN VOLTAGE SUPPLY WIRE TO BLACK LUMINAIRE WIRE
  - NEUTRAL (COMMON) SUPPLY WIRE TO WHITE LUMINAIRE WIRE
  - GREEN GROUND WIRE TO GREEN LUMINAIRE WIRE
7. Replace access door and lock.

**Figure 1**



**Figure 2**



**Relamping/Maintenance**

Loosen hex socket head screws near lens and remove top. Clean luminaire and lens using only solvent-free cleansers. Replace reflector and driver assembly and replace top. Tighten screws evenly, making sure gasket is seated properly.

**Lamp:** 59.2W LED

**Accessories**

Please refer to the appropriate accessory installation sheet for further instruction when applicable.

Anchorage Kit - included 79 806

**Replacement Parts**

Description	Part No
Lens (consult factory)	140745
Gasket	831195
Special tool - access door	560091
LED driver (120V-277V)	76018
LED module (4000K)	LED-0837/840
LED module (3000K)	LED-0837/830

In the interest of product improvement, BEGA reserves the right to make technical changes without notice.

**Product Safety Warnings:**

**THIS PRODUCT MUST BE INSTALLED IN ACCORDANCE WITH THE APPLICABLE INSTALLATION CODE BY A PERSON FAMILIAR WITH THE CONSTRUCTION AND OPERATION OF THE PRODUCT AND THE HAZARDS INVOLVED. SUITABLE FOR WET LOCATIONS.**

**MIN 90°C SUPPLY CONDUCTORS.**

**CE PRODUIT DOIT ÊTRE INSTALLÉ SELON LE CODE D'INSTALLATION PERTINENT, PAR UNE PERSONNE QUI CONNAÎT BIEN LE PRODUIT ET SON FONCTIONNEMENT AINSI QUE LES RISQUES INHÉRENTS. CONVIENT AUX EMBLEMES MOUILLÉS.**

**LES FILS D'ALIMENTATION 90°C MIN.**