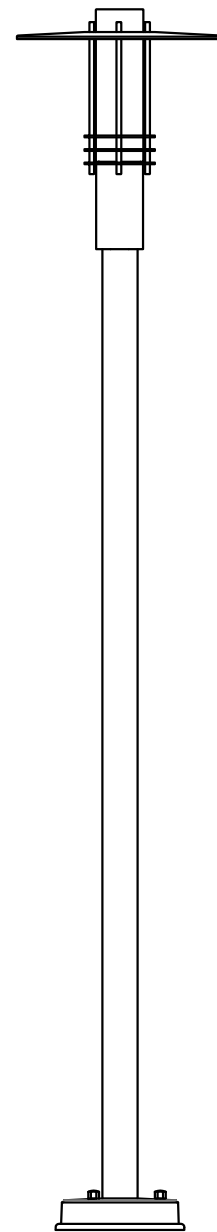
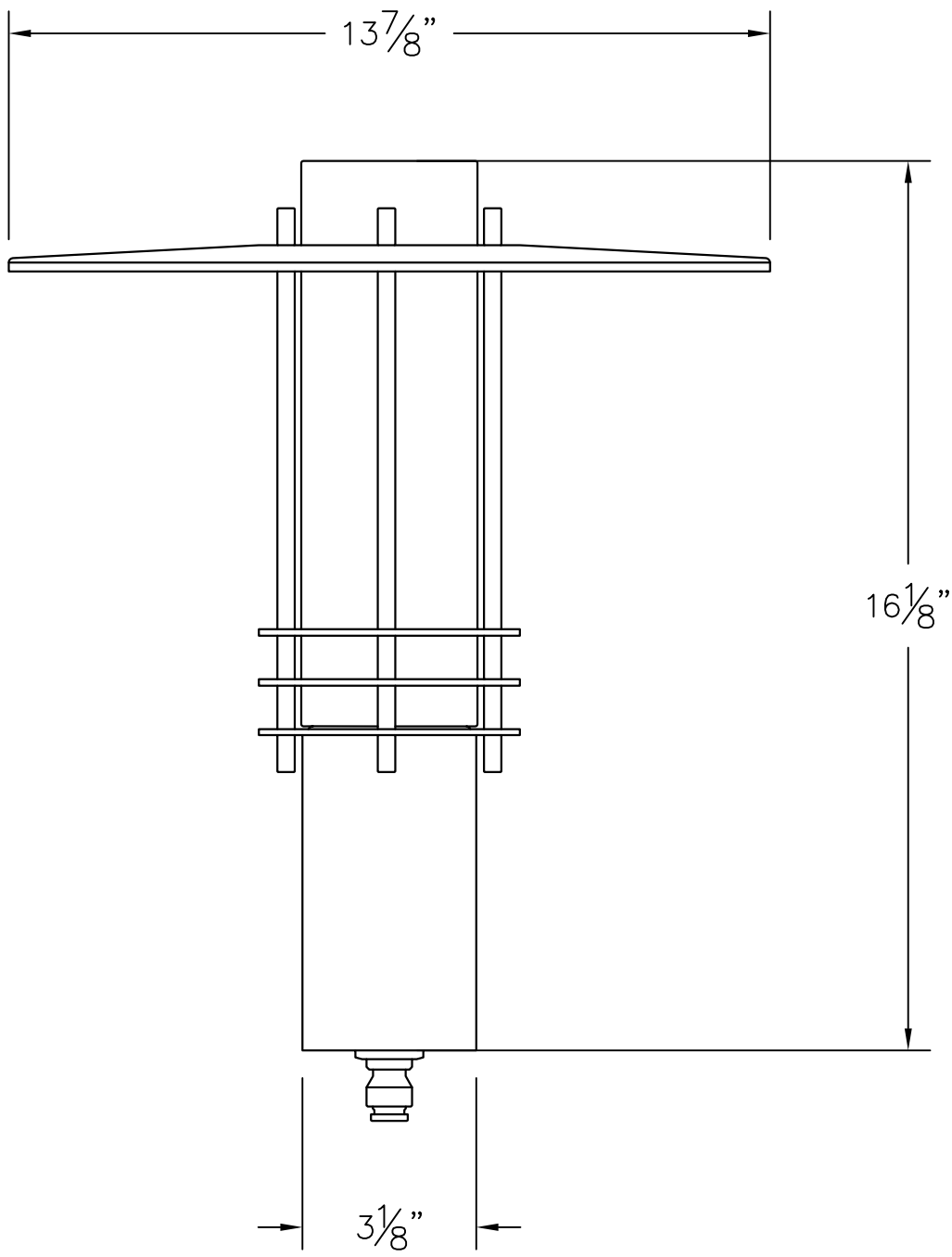


NOTE: LUMINAIRE # 84 045 – SEE SPECIFICATIONS



NOT TO SCALE  
Shown on 70 552 pole.

TYPE: \_\_\_\_\_

**SUBMITTAL APPROVAL**

APPROVED BY: \_\_\_\_\_

SIGNED: \_\_\_\_\_ DATE: \_\_\_\_\_

CAT NO.: 84 045

PROJECT: -

LOCATION: -

DRAWN: RA DATE: 7/19/2017 FILE NAME: 84045.dxf

**BEGA**

1000 Bega Way  
Carpinteria, Ca. 93013  
(805) 684-0533

REV.	DATE	DESCRIPTION

This print contains confidential information which is the property of BEGA U.S. By acceptance this information, the borrower agrees that it will not be used for any other purpose other than that which is was loaned.