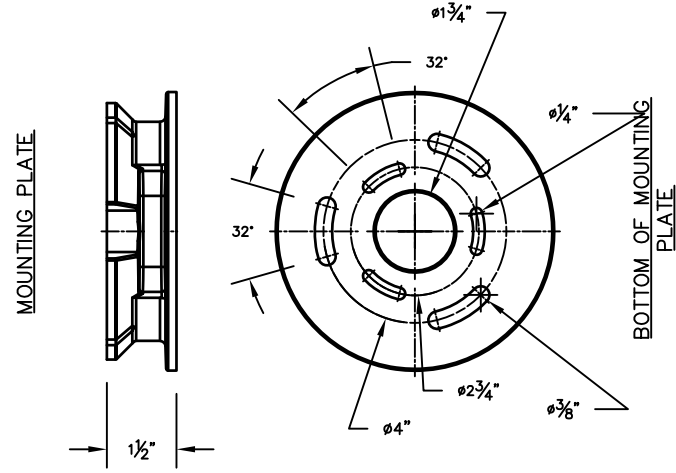


NOTE: SYSTEM BOLLARD TUBE #84 009 - SEE SPECIFICATIONS



TYPE: _____

SUBMITTAL APPROVAL

APPROVED BY: _____ DATE: _____

SIGNED: _____ DATE: _____

REV.	DATE	DESCRIPTION

This print contains confidential information which is the property of BEGA U.S. By acceptance this information, the borrower agrees that it will not be used for any other purpose other than that which is was loaned.

CAT NO.: BOLLARD TUBE # 84 009

PROJECT: -

LOCATION: -

DRAWN: MAP DATE: 4/30/2018 FILE NAME: 84009.dxf

BEGA

1000 Bega Way
Carpinteria, Ca. 93013
(805) 684-0533