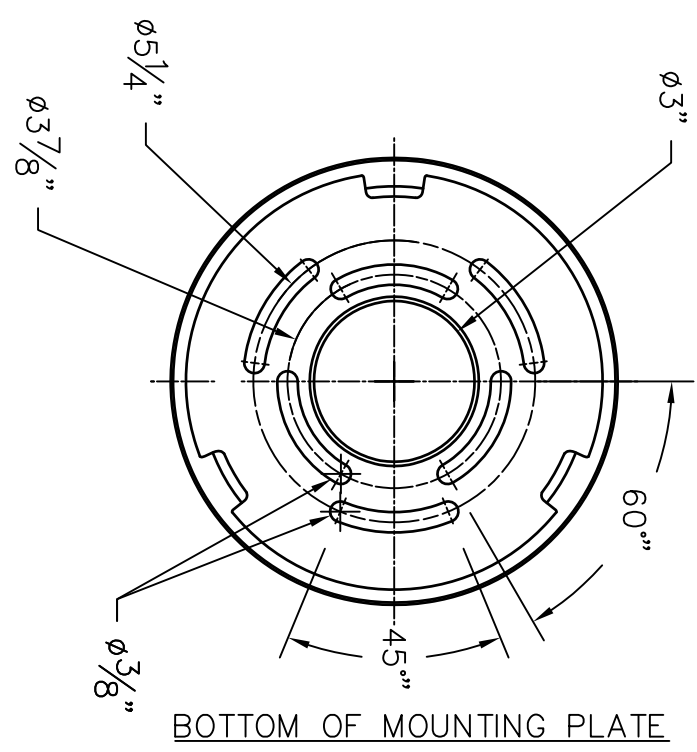
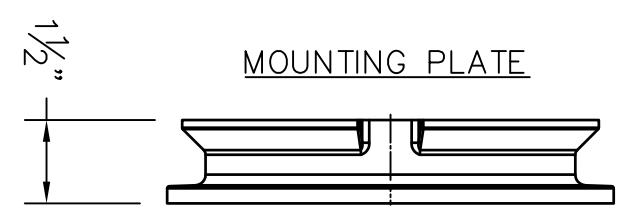


NOTE: SYSTEM BOLLARD TUBE # 84 004 – SEE SPECIFICATIONS



TYPE: _____

SUBMITTAL APPROVAL			CAT NO.: <u>BOLLARD TUBE # 84 004</u>		BEGA
			PROJECT: <u>-</u>		
APPROVED BY: _____	SIGNED: _____		LOCATION: <u>-</u>		
DATE: _____	DATE: <u>07/21/17</u>		FILE NAME: <u>84004.dxf</u>		
REV.	DATE	DESCRIPTION			

This print contains confidential information which is the property of BEGA U.S. By acceptance this information, the borrower agrees that it will not be used for any other purpose other than that which is was loaned.