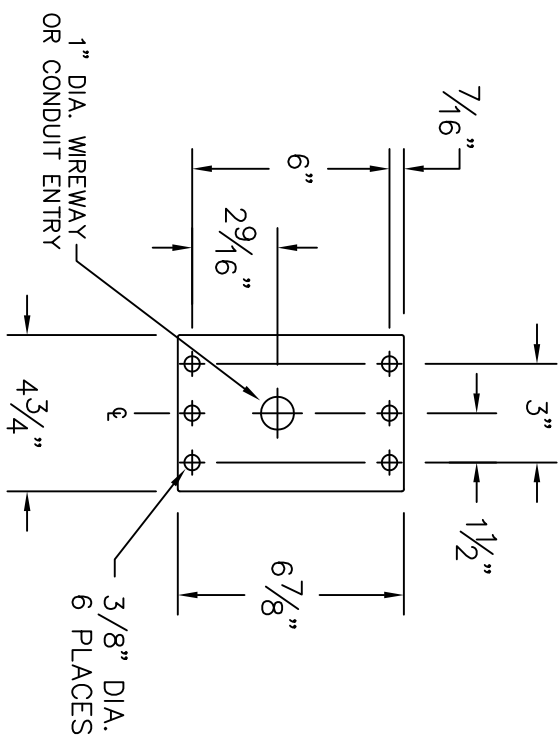
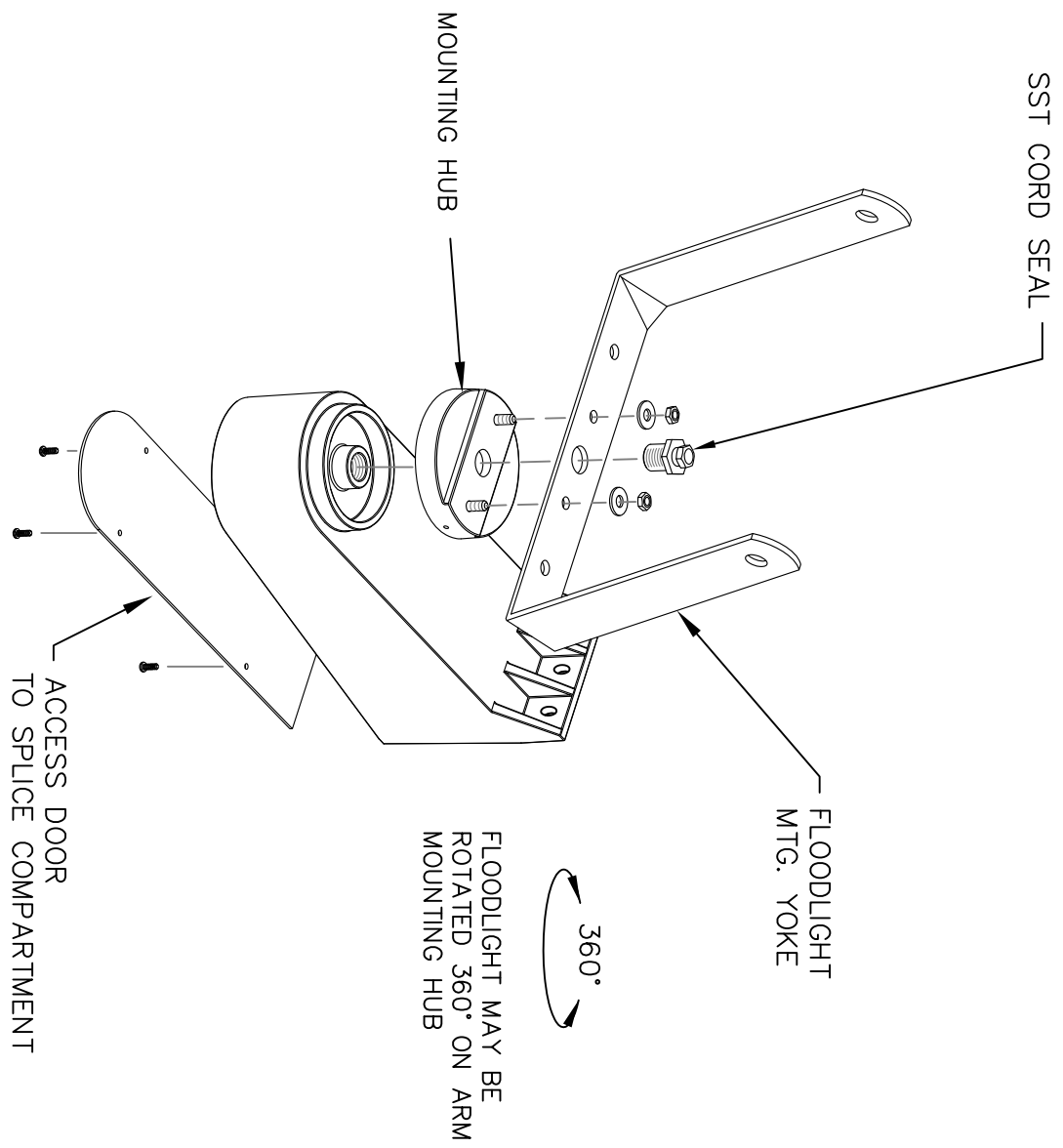
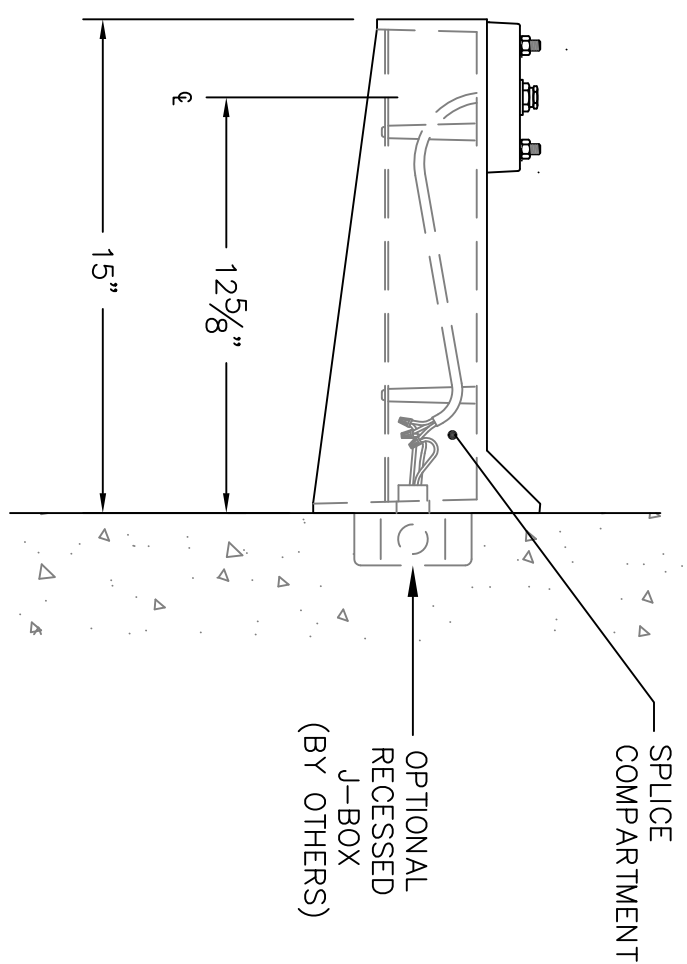
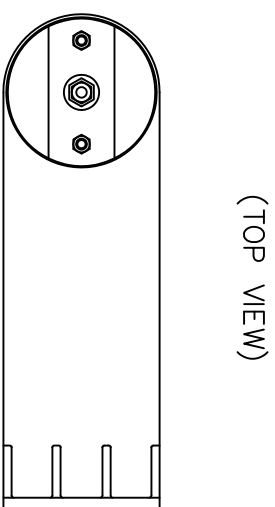


NOTES :

1. BEGA ACCESSORY # 79 551 FLOODLIGHT WALL MOUNTING ARM MOUNTING HARDWARE SUPPLIED BY OTHERS.
2. AVAILABLE IN STANDARD BEGA COLORS.



MOUNTING DETAIL
MOUNTING HARDWARE BY OTHERS



This print contains confidential information which is the property of BEGA/US. By accepting this information, the borrower agrees that it will not be used for any other purpose other than that which is was loaned.

Catalog No.: 79 551
 Description: Large Scale Floodlight Mounting Arm
 Drawn by: Bob Mc Date: 5/23/13 File Name: 79551.dxf
 SCALE: NONE — DO NOT SCALE DRAWING

BEGA
 1000 Bega Way
 Carpinteria, Ca. 93013
 (805) 684-0533