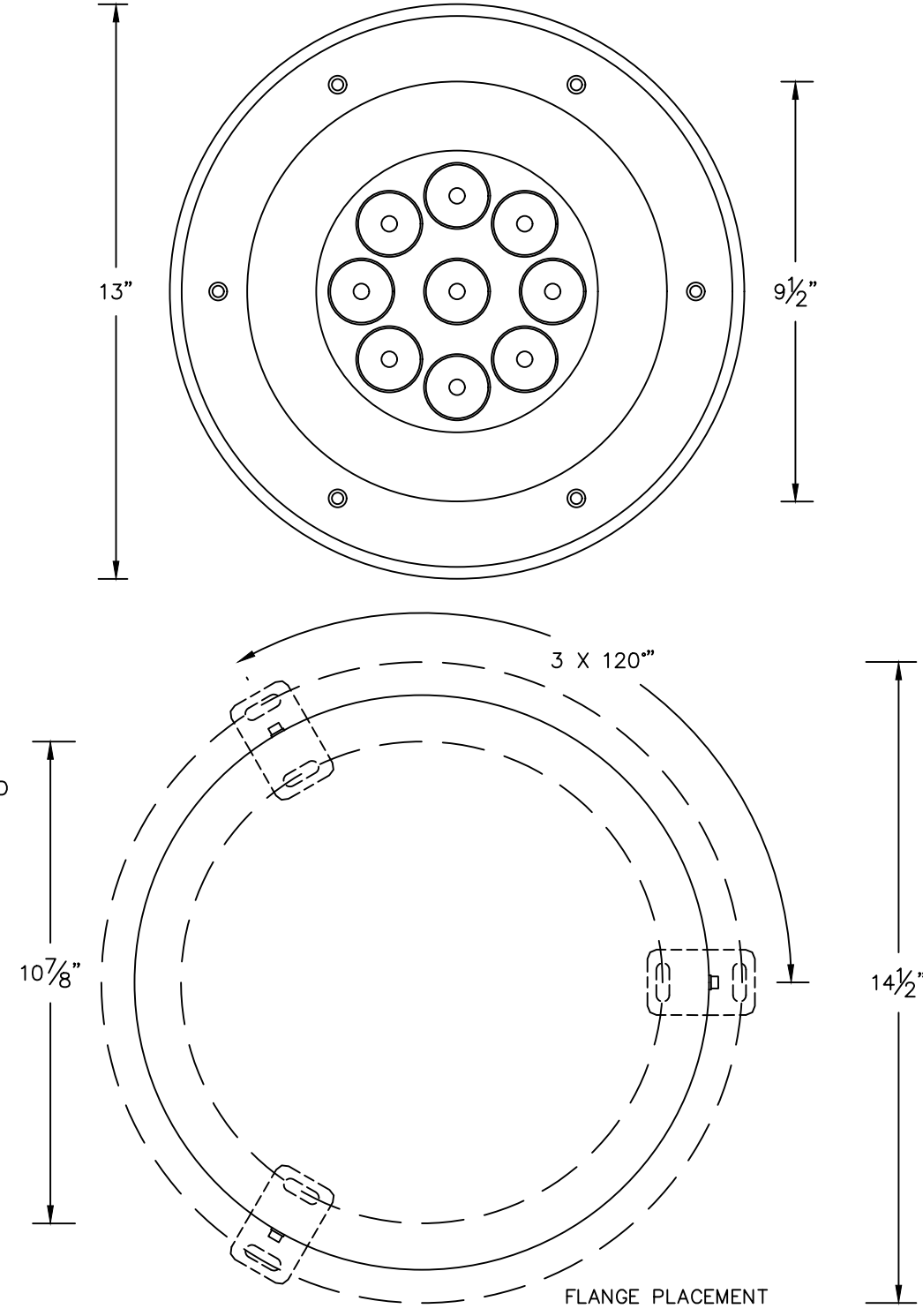
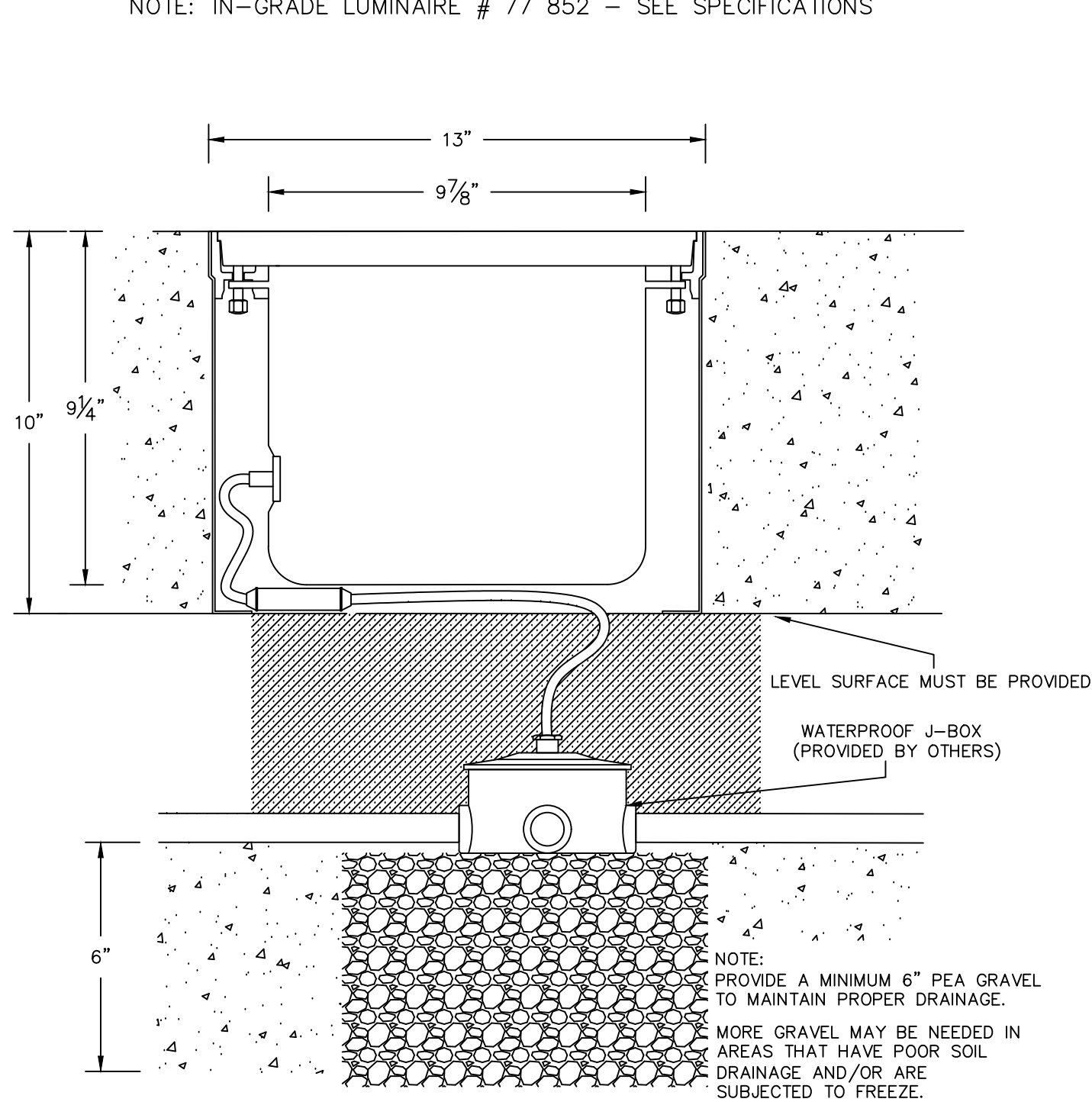


NOTE: IN-GRADE LUMINAIRE # 77 852 - SEE SPECIFICATIONS



TYPE: _____

SUBMITTAL APPROVAL

CAT NO: 77 852

APPROVED BY: _____

SIGNED: _____ DATE: _____

REV.	DATE	DESCRIPTION

PROJECT: -

LOCATION: -

DRAWN: AG

DATE: 02/14/2019

FILE NAME: 77852.dxf

BEGA

1000 Bega Way
 Carpinteria, Ca. 93013
 (805) 684-0533

This print contains confidential information which is the property of BEGA U.S. By acceptance this information, the borrower agrees that it will not be used for any other purpose other than that which is loaned.