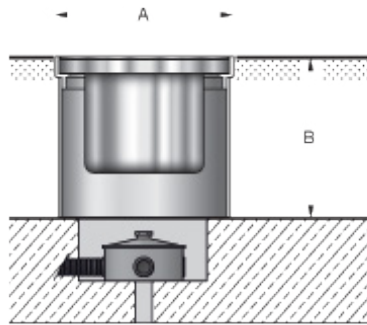


Tools Required:

6mm hex key



Dimensions

A: 13"

B: 10"



Protection Class: IP68 10m

Weight: 37.5 lbs.

Notice to Installer for 77 852:

1. See page 2 for specific product safety warnings.
2. **BEGA luminaires may be damaged if connected to conduit systems containing water - Article 300-5G of National Electric Code requires that "Conduits or raceways through which moisture may contact energized live parts shall be sealed or plugged at either or both ends".**
3. A separate wiring box suitable for outdoor locations (Bell #5320-0 or equivalent) for power supply must be provided (by others).
4. Proper drainage **MUST** be provided. Failure to do so may result in over-condensation and void warranty.
5. For vehicular loads, housing must be anchored to a suitable, load bearing foundation. In all other applications, foundation should be sufficient to support anticipated load onto fixture.
6. When installing fixture in organic mulch, surround installation housing with approximately 6" of sand or other non-organic material.
7. **WARNING:** LEDs are high quality electrical components. Please avoid touching them directly during installation.

77 852 - outer housing installation:

1. Loosen the (6) M8 screws on faceplate to the stop. Remove faceplate and lens. Unscrew (2) screws to loosen inner housing from outer housing (Figure 1). Rotate inner housing until clamp lines up with opening (Figure 3) to remove inner housing from outer housing.
2. Establish location of wiring box. (These luminaires are pre-wired with (9) feet of waterproof cable, factory sealed to the luminaire housing.) Make sure that enough cable is left to lift the inner housing out of the outer housing for relamping.
3. Establish foundation for anchorage and provide proper drainage.
NOTE: Provide at least 6" of material (pea gravel or similar) under fixture and wiring box to prevent build-up of standing water.
4. Use (3) 5/16" holes provided on outer housing flanges (located on inside of outer housing) to anchor outer housing to suitable foundation (1/4" anchor bolts recommended, by others). **IMPORTANT: THE TOP EDGE OF OUTER HOUSING MUST BE FLUSH OR ABOVE FINISHED SURFACE. FAILURE TO DO SO WILL PREVENT FACEPLATE SEAL AND VOID WARRANTY.** Make sure housing/finished surface is installed so the faceplate does not rest on finished surface. Use grout, nuts, and washers for leveling. Finish surface.

77 852 - inner housing installation:

1. Feed cable down outer housing and make supply wiring and cable connections inside weather-proof wiring box:
 MAIN VOLTAGE SUPPLY WIRE TO BLACK LUMINAIRE WIRE;
 NEUTRAL (COMMON) SUPPLY WIRE TO WHITE LUMINAIRE WIRE;
 GREEN (GROUND) WIRE TO GREEN LUMINAIRE WIRE
 Dimming (if applicable):
 DIMMING CONTROL WIRE (+) TO POSITIVE DRIVER DIM CONTROL WIRE
 DIMMING CONTROL WIRE (-) TO NEGATIVE DRIVER DIM CONTROL WIRE
2. Loosen (6) M6 screws on stainless steel faceplate and remove from inner housing.
3. Insert inner housing into outer housing, then tighten (2) screws to attach inner housing to outer housing.
4. To adjust beam, loosen small set screw adjacent to inner optical assembly and adjust as desired. Retighten set screw.
5. Replace top lens, gasket, and stainless steel trim. Tighten (6) faceplate screws evenly.



Figure 1

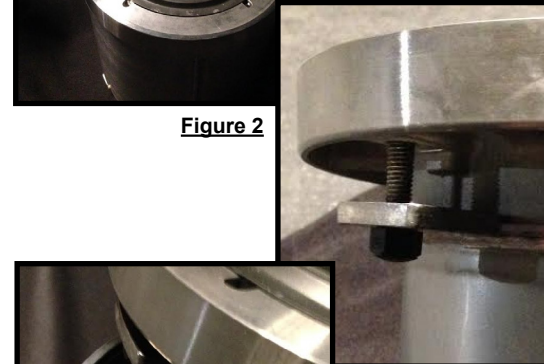


Figure 2



Figure 3

NOTE: Housing clips (Figure 2) should be loosened in the lowered position upon housing insertion. If they are tightened up close to inner housing flange, inner housing may not fit into outer housing. Graphics are generic. Please see fixture submittal drawing for more detail. www.bega-us.com

Relamping/Maintenance

No relamping required.

Accessories

Please refer to the appropriate accessory installation sheet for further instruction when applicable.

Round spread lens	10 048
Elliptical spread lens	10 019

Replacement Parts

Description	Part No
Lens	140841
Lens gasket	830449
Driver (120-277V)	76004-02
LED (3000K)	LED-0446/830
LED (4000K)	LED-0446/840

Lamp: 29.0W LED

In the interest of product improvement, BEGA reserves the right to make technical changes without notice.

Product Safety Warnings:

THIS PRODUCT MUST BE INSTALLED IN ACCORDANCE WITH THE APPLICABLE INSTALLATION CODE BY A PERSON FAMILIAR WITH THE CONSTRUCTION AND OPERATION OF THE PRODUCT AND THE HAZARDS INVOLVED. SUITABLE FOR WET LOCATIONS.

MIN 90°C SUPPLY CONDUCTORS.

CE PRODUIT DOIT ÊTRE INSTALLÉ SELON LE CODE D'INSTALLATION PERTINENT, PAR UNE PERSONNE QUI CONNAÎT BIEN LE PRODUIT ET SON FONCTIONNEMENT AINSI QUE LES RISQUES INHÉRENTS. CONVIENT AUX EMPLACEMENTS MOUILLÉS.

LES FILS D'ALIMENTATION 90°C MIN.
