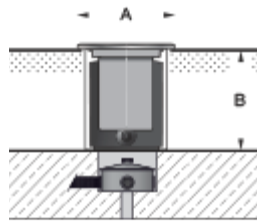


Tools Required:

- M5 Torx key
- Phillips medium screwdriver



Dimensions

- A:** 39-3/8" x 3-1/2"
- B:** 5"



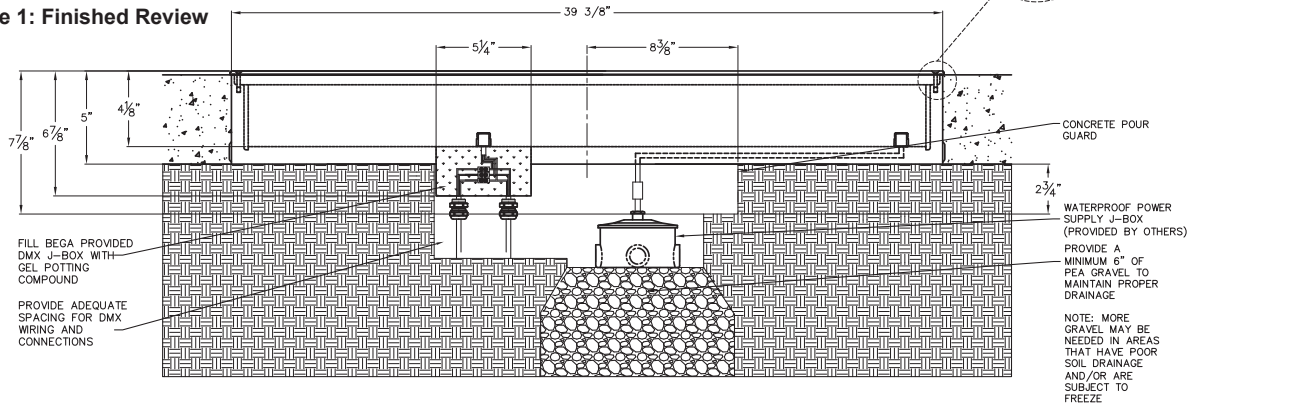
Protection Class: IP67

Weight: 29.8 lbs.

Notice to Installer for 77 843:

- See page 3 for specific product safety warnings.
- FIXTURE SHOULD NEVER BE OPENED!**
- FIXTURE MUST BE CONNECTED TO DMX-COMPATIBLE LIGHT CONTROL SYSTEM! FIXTURE WILL NOT OPERATE OTHERWISE!**
- With the RDM functionality of the driver, it is possible to energize and address the fixture without opening them in the field. Water proof data cable should be routed to the fixture per "Recommended Practice for DMX512." Installer should be familiar with the guidelines as well.
- NOTE: A terminator must be used at the end of the run between the data lines per "Recommended Practice for DMX512."
- BEGA luminaires may be damaged if connected to conduit systems containing water - Article 300-5G of National Electric Code requires that "Conduits or raceways through which moisture may contact energized live parts shall be sealed or plugged at either or both ends".**
- A separate wiring box suitable for outdoor locations (Bell #5320-0 or equivalent) for power supply must be provided (by others). A wiring box for DMX splices will be provided along with re-enterable potting compound by BEGA-US.
- Proper drainage **MUST** be provided for wiring box and fixture housing (see Figure 1).
- For proper installation, housing and finished surface must be installed so that the top of the housing (bottom of faceplate) sits flush or slightly above the finished surface.
- Must be anchored to a grade medium (1-1/2" minimum depth) which is suitable for vehicular and pedestrian loads.

Figure 1: Finished Review



Relamping/Maintenance

No relamping necessary.

Accessories

Please refer to the appropriate accessory installation sheet for further instruction when applicable.

Replacement Parts

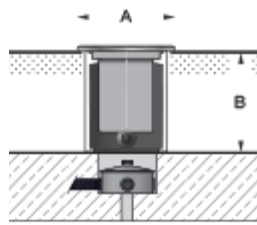
Description	Part No
Lens	140738
Lens gasket	83001741
LED driver (120-277V)	75978-700
RGBW LED module (4000K) (4x)	LED-0374/RGBW

Lamp: 40W RGBW LED

In the interest of product improvement, BEGA reserves the right to make technical changes without notice.

Tools Required:

- M5 Torx key
- Phillips medium screwdriver



Dimensions

- A: 39-3/8" x 3-1/2"
- B: 5"



Protection Class: IP67

Weight: 29.8 lbs.

77 843 - installation:

- DO NOT OPEN FIXTURE DURING INSTALLATION.**
- Establish location of wiring boxes. Wiring boxes will be located within the large opening of the back housing and the concrete pour guard (refer to Figure 2 & 6) One wiring box for power supply and one for DMX wires (DMX wiring box provided). (These luminaires are pre-wired with (9) feet of waterproof cable for power supply, factory sealed to the luminaire housing.) Make sure that enough cable is left to lift the inner housing out of the outer housing for luminaire maintenance. Provide proper drainage.
- Establish foundation for anchorage. Use (2) 5/16" holes provided in outer housing base to anchor outer housing to suitable foundation (1/4" anchor bolts recommended, by others). **NOTE: BASE OF FIXTURE WILL COME WITH GUARDS (FOR CONCRETE POUR) TO PROVIDE ADEQUATE SPACING FOR JUNCTION BOXES (FIGURE 2).** The top edge of outer housing must be flush or slightly above finished surface. Use grout, nuts, and washers for leveling. Finish surface.
- Make DMX connections in provided junction box, or "DMX" wiring box (as seen in Figure 5), per "Recommended Practice for DMX512." **NOTE: DO NOT MAKE DMX AND INPUT POWER CONNECTIONS IN SAME WIRING BOX. RECOMMENDED THAT INSTALLER ALLOW FOR 9' OR ADEQUATE LENGTH OF DMX SUPPLY CABLE AT EACH FIXTURE TO ALLOW FOR INSTALLATION AND MAINTENANCE OF INNER HOUSING.**
- Take potting compound (in plastic bag) and pull from middle of the bag to allow the two different compounds to mix. Pour mixture into DMX wiring box to encase all connections from potential water intrusion. Allow at least an hour for compound to cure (more so in extreme conditions). See Figure 4.
- Make supply wiring and cable connections inside supply wiring box (provided by others):
MAIN VOLTAGE SUPPLY WIRE TO BLACK LUMINAIRE WIRE;
NEUTRAL (COMMON) SUPPLY WIRE TO WHITE LUMINAIRE WIRE;
GREEN (GROUND) WIRE TO GREEN LUMINAIRE WIRE
- Replace inner housing into outer [recessed] housing. Tighten (2) faceplate screws to secure housing.

Figure 2: Concrete Pour Guard

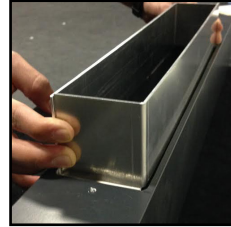


Figure 3: Power Leads & DMX Leads w/ Wiring Box (on the left and right, respectively) Reference only.



Figure 4: Potting Compound



Figure 5: DMX Wiring Diagram: Bus Topology

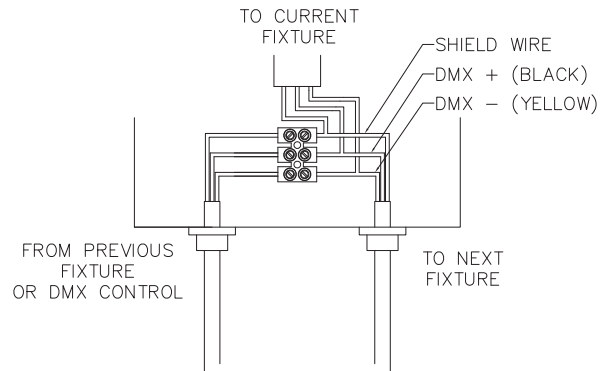
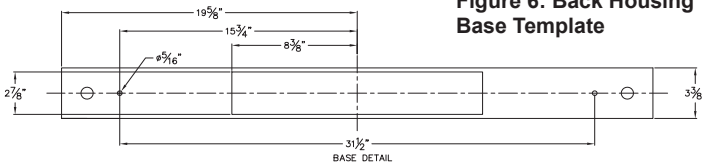


Figure 6: Back Housing Base Template



Relamping/Maintenance

No relamping necessary.

Accessories

Please refer to the appropriate accessory installation sheet for further instruction when applicable.

Replacement Parts

Description	Part No
Lens	140738
Lens gasket	83001741
LED driver (120-277V)	75978-700
RGBW LED module (4000K) (4x)	LED-0374/RGBW

Lamp: 40W RGBW LED

In the interest of product improvement, BEGA reserves the right to make technical changes without notice.

Product Safety Warnings:

THIS PRODUCT MUST BE INSTALLED IN ACCORDANCE WITH THE APPLICABLE INSTALLATION CODE BY A PERSON FAMILIAR WITH THE CONSTRUCTION AND OPERATION OF THE PRODUCT AND THE HAZARDS INVOLVED. SUITABLE FOR WET LOCATIONS.

MIN 60°C SUPPLY CONDUCTORS.

CE PRODUIT DOIT ÊTRE INSTALLÉ SELON LE CODE D'INSTALLATION PERTINENT, PAR UNE PERSONNE QUI CONNAÎT BIEN LE PRODUIT ET SON FONCTIONNEMENT AINSI QUE LES RISQUES INHÉRENTS. CONVIENT AUX EMPLACEMENTS MOUILLÉS.

LES FILS D'ALIMENTATION 60°C MIN.