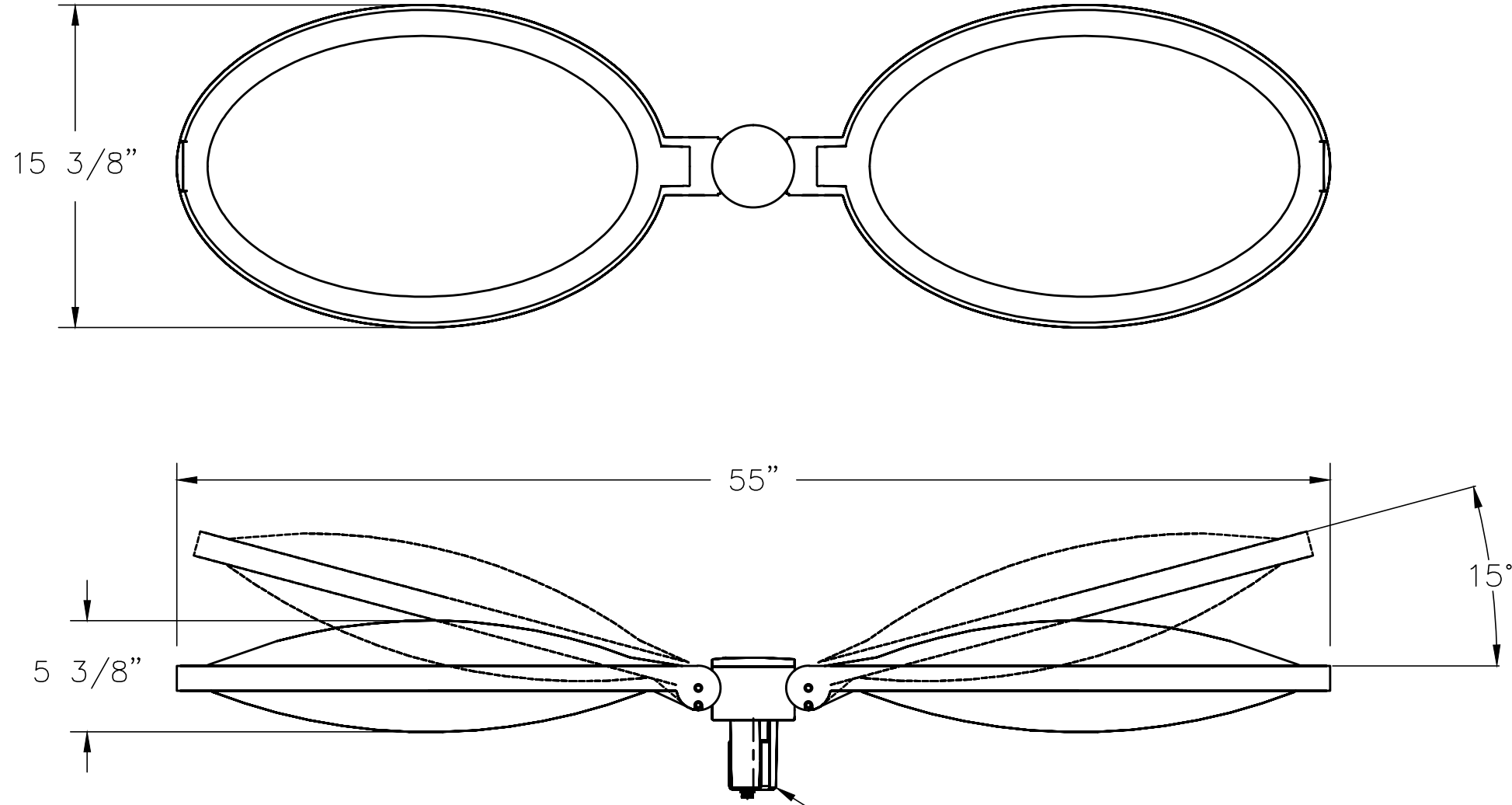
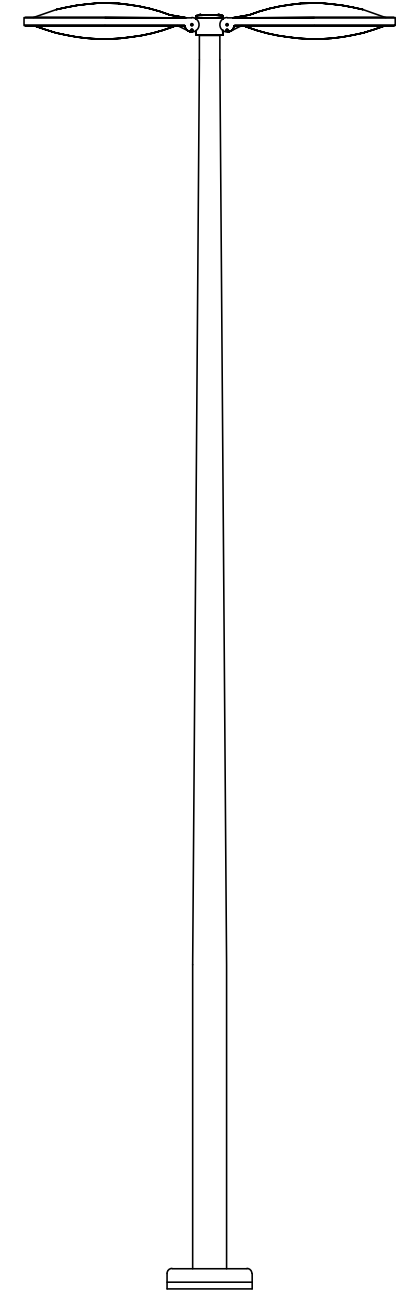


NOTES:

1. LUMINAIRE # 77 841 – SEE SPECIFICATIONS.



SLIP FITS MAX 3" O.D. WITH A MIN 2 1/2" I.D. POLE OR TENON (ALSO REQUIRES A MINIMUM 4" SLIPFIT DEPTH POLE/TENON)



SHOWN ON 1508HR

TYPE: _____

SUBMITTAL APPROVAL

APPROVED BY: _____ DATE: _____
 SIGNED: _____

REV.	DATE	DESCRIPTION

CAT NO.: 77 841

PROJECT: _____

LOCATION: _____

DRAWN: MAP DATE: 8/10/15 File Name: 77841.dxf

BEGA

1000 Bega Way
 Carpinteria, Ca. 93013
 (805) 684-0533

This print contains confidential information which is the property of BEGA U.S. By acceptance this information, the borrower agrees that it will not be used for any other purpose other than that which it was loaned.