

Tools Required:

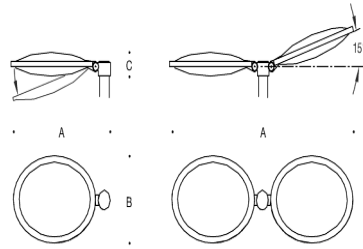
- 4mm hex key
- 13mm hex socket
- Adjustable wrench



UL listed, suitable for wet locations.

Protection Class: IP66

Weight: 31.0 lbs.



Dimensions

- A:** 55 "
- B:** 15-3/8 "
- C:** 5-3/8 "



Notice to Installer for 77 841:

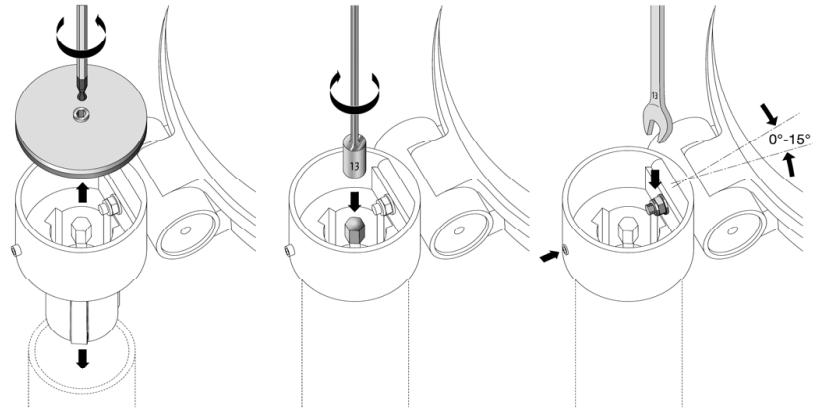
1. For pole top applications only.
2. Slip fits 3" O.D. poles only.
3. LED module provided inside luminaire head.

77 841 - installation:

1. Loosen hex screw on pole cap and remove pole cap.
2. Lead luminaire wires into top of pole and through to the base.
3. Secure luminaire head to pole by tightening 13mm hex nut and outer 4mm set screw (See Figure).
4. To adjust beam direction (up to 15 degrees), undo hex nut and adjust joint (see figure). Be sure teeth are secured into position. BE CAREFUL AS THE FIXTURE WILL DROP QUICKLY UPON LOOSENING.
5. Tighten hex nut firmly.
6. Replace slip fitter cap and tighten pole cap hex screw.
7. Make supply wiring and luminaire wiring connections inside pole base:
 - MAIN VOLTAGE SUPPLY WIRE TO BLACK LUMINAIRE WIRE
 - NEUTRAL (COMMON) SUPPLY WIRE TO WHITE LUMINAIRE WIRE
 - GREEN GROUND WIRE TO GREEN LUMINAIRE WIRE

Dimming (if applicable):

- LUMINAIRE DIMMING CONTROL WIRE (+) TO POSITIVE SUPPLY DIM CONTROL WIRE
- LUMINAIRE DIMMING CONTROL WIRE (-) TO NEGATIVE SUPPLY DIM CONTROL WIRE



Relamping/Maintenance

NO relamping required.

Accessories

Please refer to the appropriate accessory installation sheet for further instruction when applicable.

Replacement Parts

Description	Part No
Lens 2x	150367
Lens gasket 2x	831215
LED driver (120-277V)	75945
LED replacement 5000K 4x	LED-0260/650
LED replacement 4000K 4x	LED-0260/840

Lamp: (2) 52W LED

In the interest of product improvement, BEGA reserves the right to make technical changes without notice.