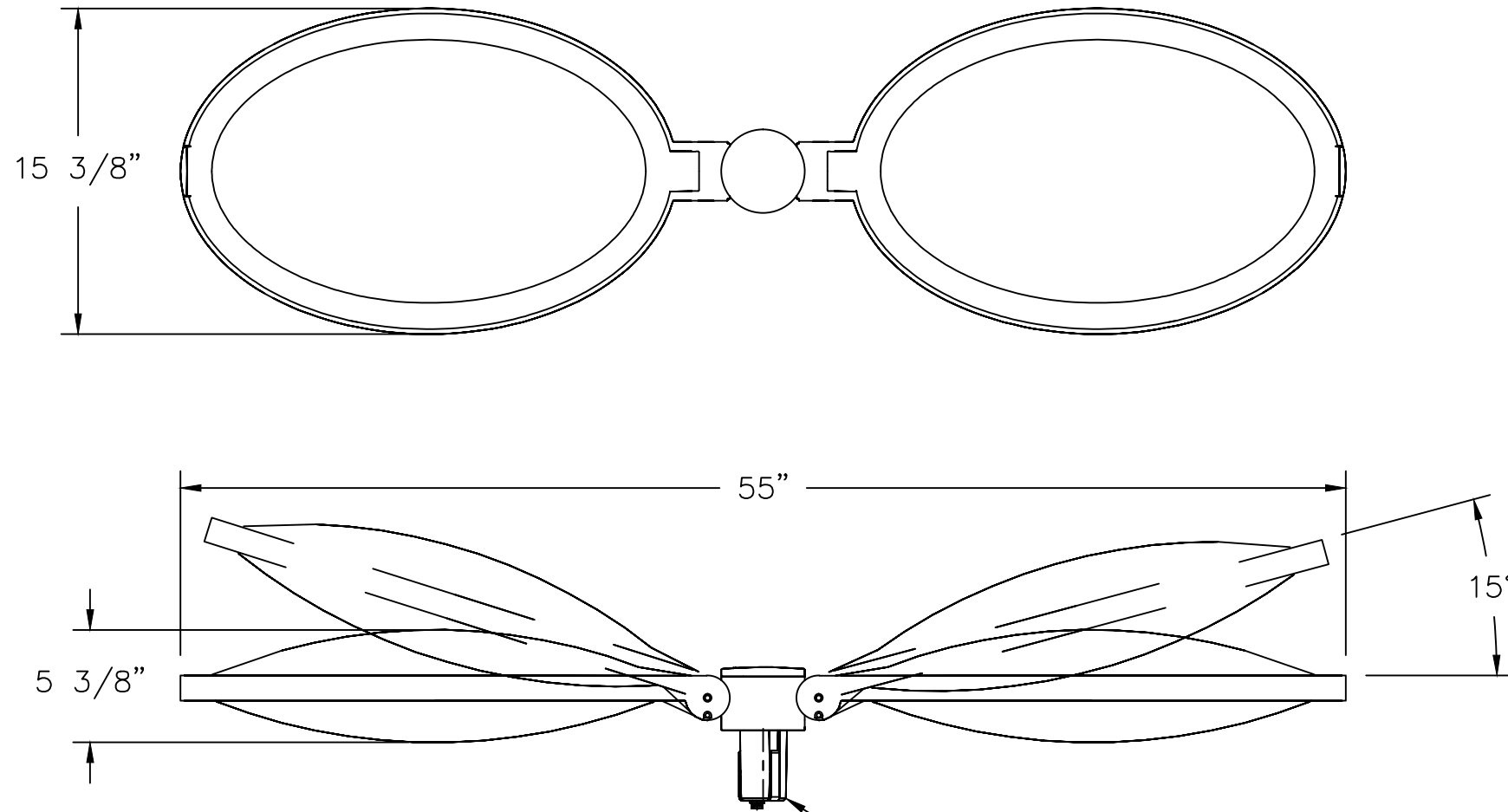
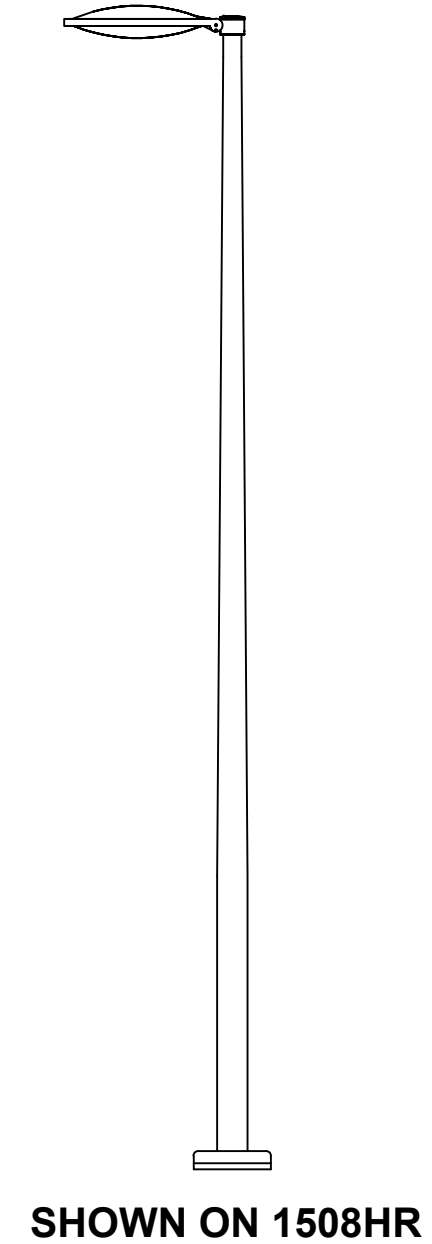


NOTES:

1. LUMINAIRE # 77 839 – SEE SPECIFICATIONS.



SLIP FITS MAX 3" O.D. WITH A
MIN 2 1/2" I.D. POLE OR TENON
(ALSO REQUIRES A MINIMUM 4"
SLIPFIT DEPTH POLE/TENON)



This print contains confidential information which is the property of BEGA/US. By accepting this information, the borrower agrees that it will not be used for any other purpose other than that

Catalog No.: 77 839

Description: POLE TOP – SYMMETRICAL DISTRIBUTION

Drawn by: AC Date: 8/10/15 File Name: 77839.dxf

BEGA

1000 Bega Way
Carminteria Ca 93013