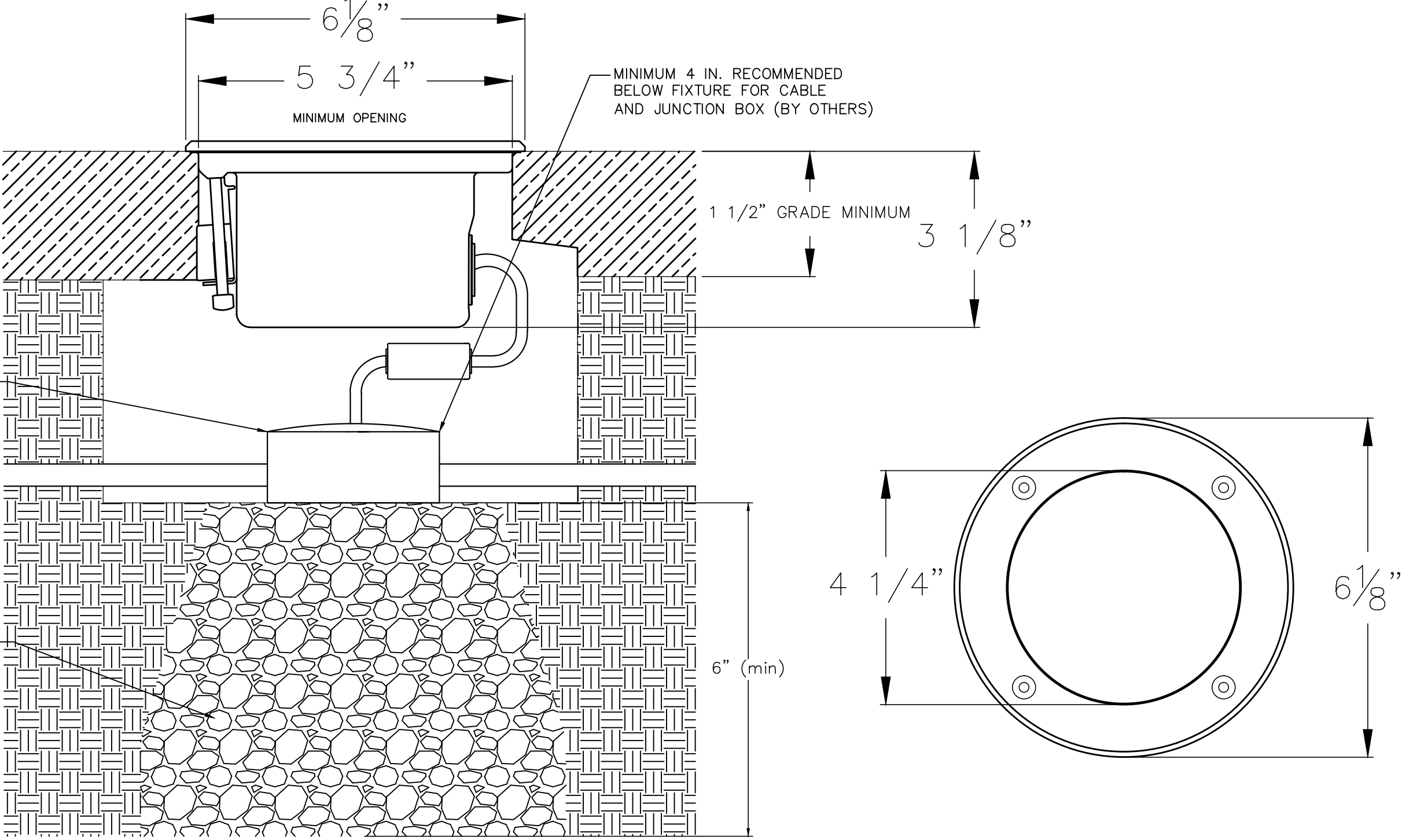


NOTES: LUMINAIRE # 77 812 – SEE SPECIFICATIONS:



WATERPROOF J-BOX
(PROVIDED BY OTHERS)

MINIMUM 4 IN. RECOMMENDED
BELOW FIXTURE FOR CABLE
AND JUNCTION BOX (BY OTHERS)

1 1/2" GRADE MINIMUM

MINIMUM OPENING

6" (min)

PROVIDE A MINIMUM 6" OF
PEA GRAVEL TO MAINTAIN
PROPER DRAINAGE.

NOTE: MORE GRAVEL MAY
BE NEEDED IN AREAS THAT
HAVE POOR SOIL DRAINAGE
AND/OR ARE SUBJECT TO
FREEZE

TYPE:

SUBMITTAL APPROVAL

APPROVED BY:

SIGNED:

DATE:

REV. DATE DESCRIPTION

CAT NO.: 77 812

PROJECT: NA

LOCATION: NA

DRAWN: SB DATE: 4/12/2018 File Name: 77812.dxf

BEGA

1000 Bega Way
Carpinteria, Ca. 93013
(805) 684-0533

This print contains confidential information which is the property of BEGA U.S. By acceptance this information, the borrower agrees that it will not be used for any other purpose other than that which it was loaned.